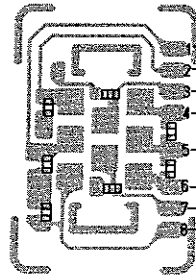
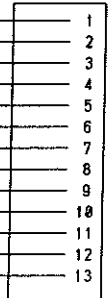


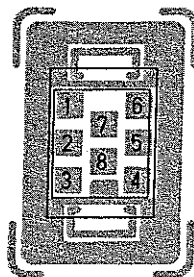
MIC CONNECTOR



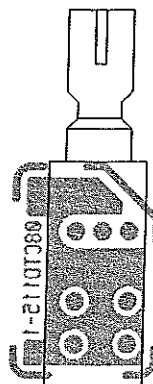
CN401S



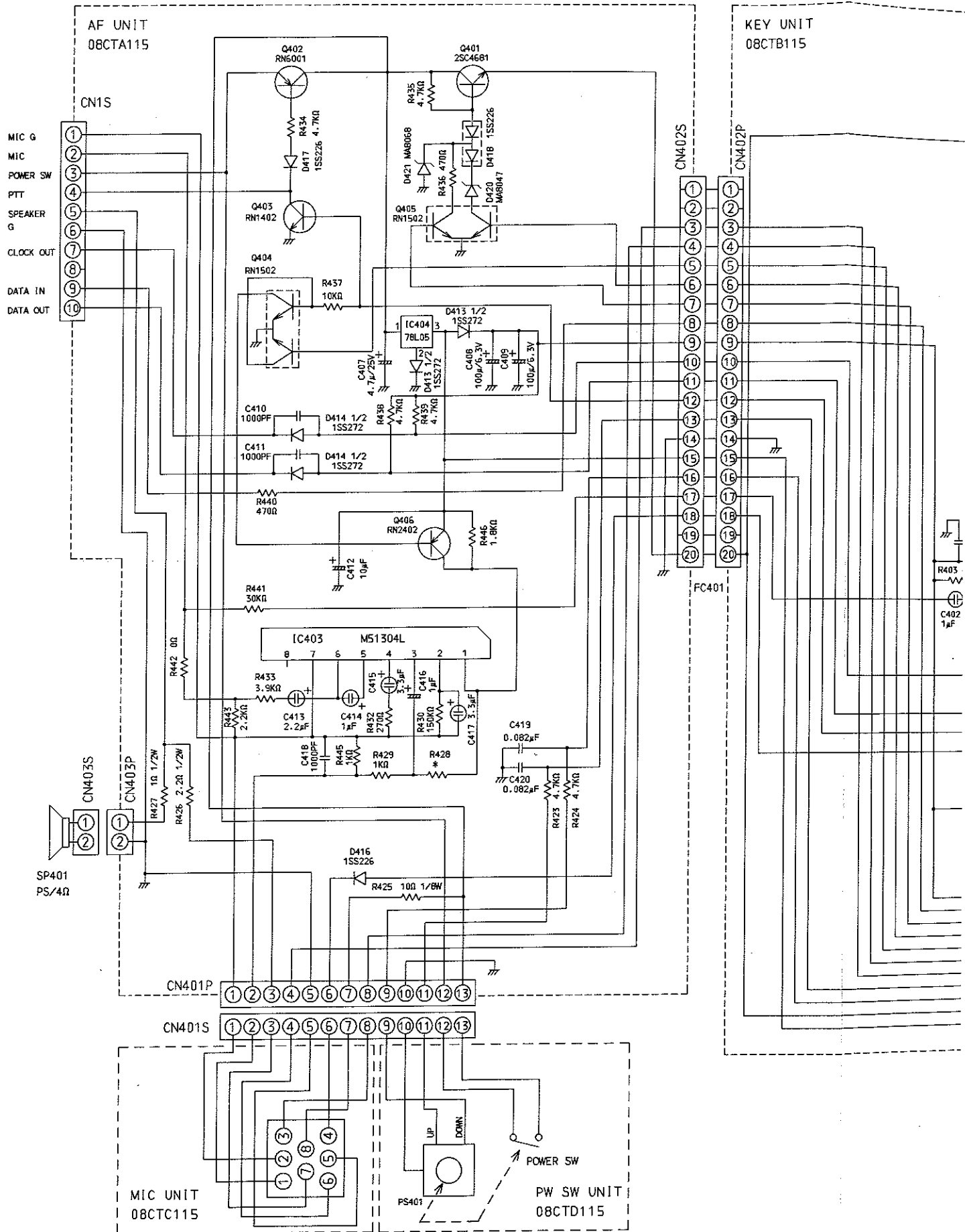
POWER SW



MIC CONNECTOR



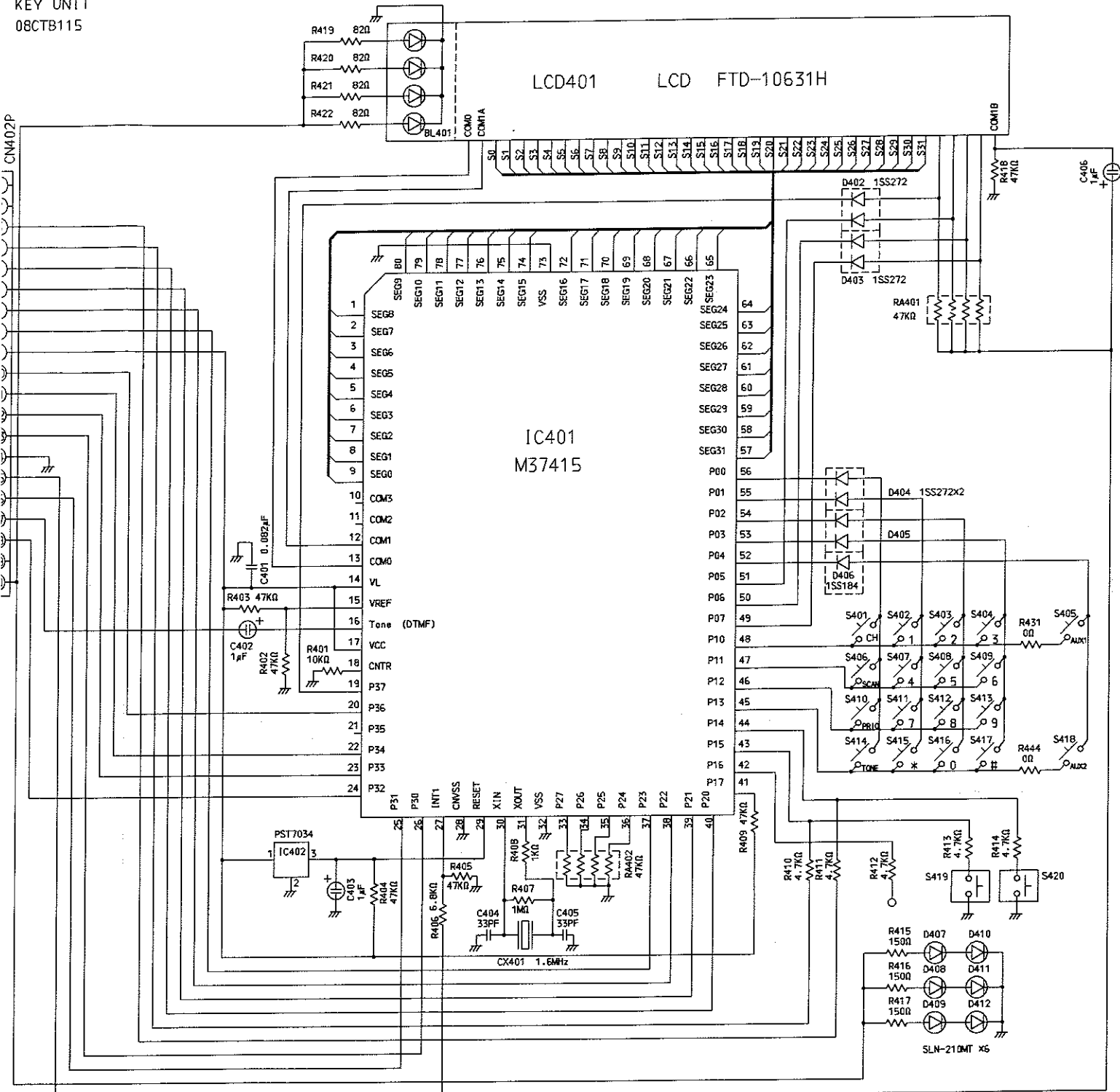
POWER SW  
PS401



CONTROL UNIT SCHEMATIC  
FIGURE 7-8

KEY UNIT  
08CTB115

CM402P



FOLDOUT →