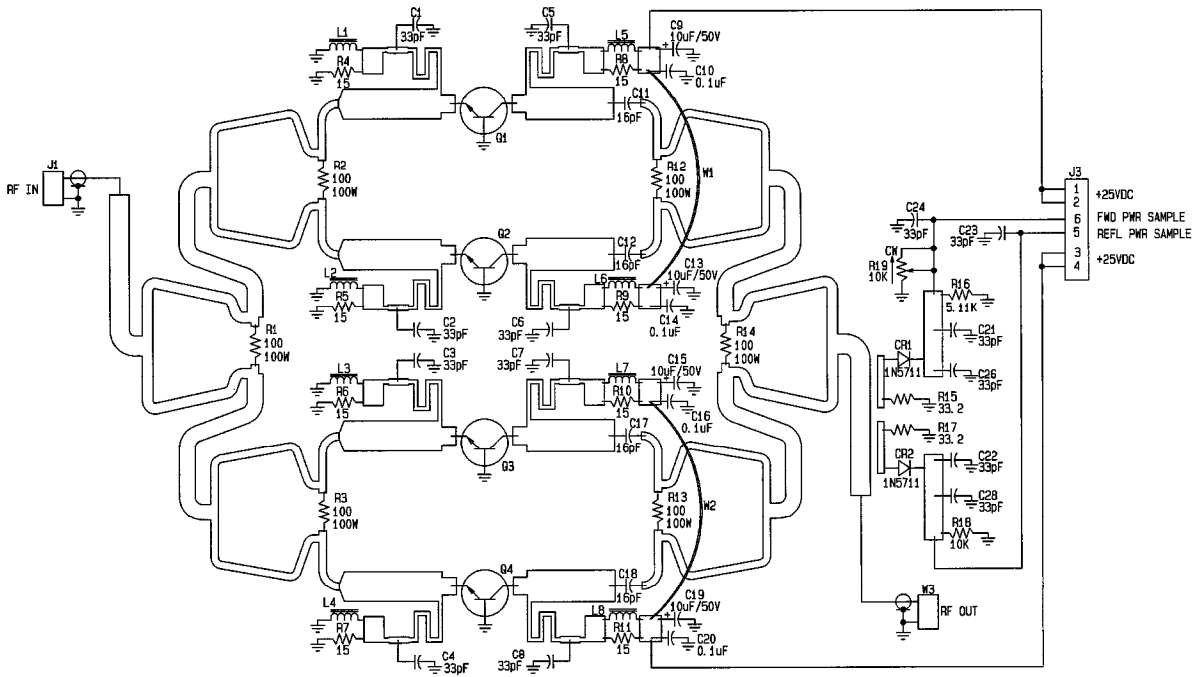


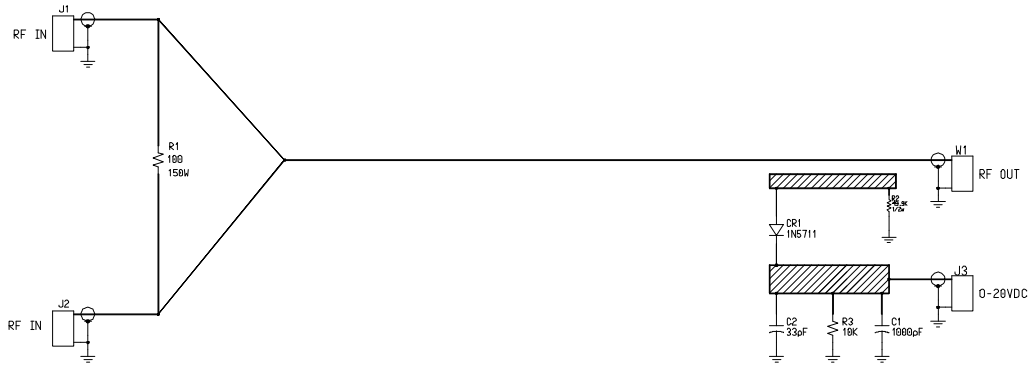
Dwg No. 285-0082-007

GLENAYRE ELECTRONICS			Dwg No. 285-0082-007		
LTR	ECN	DESCRIPTION	DFTM	DATE	CHK
A	----	FINAL RELEASE	ELP	6-9-93	MJS
B	4288	R16 WAS 10K; R15 AND R17 WERE 51.1	ELP	12-9-93	MJS
C	4718	REMOVED TRANSISTOR PART NUMB.	TKB	8-1-94	MJS
D	5103	R16 WAS 1.74K; ADDED R19.	ELP	3-15-95	SWS
E	10262	C9, C13, C15, C19 WERE 10uF/35V	ELP	7-19-95	✓



NOTES : 1) ALL RESISTORS ARE IN OHMS.

THIS INFORMATION IS PROPRIETARY AND MUST NOT BE COPIED AND/OR REVEALED TO THIRD PARTIES WITHOUT WRITTEN CONSENT OF GLENAYRE ELECTRONICS.		DIMENSIONS IN INCHES TOLERANCE UNLESS NOTED: DECIMALS .XX = +/- .010 .XXX = +/- .005		Glenayre ELECTRONICS QUINCY, ILLINOIS	
AW 278-0082-054/5 058/9	DR BY ELP 2-17-92	TITLE PCBE, SCH PA BOARD		MATERIAL	
S/S NONE	DRW MJS 6-3-93	PAPER		Dwg No. 285-0082-007	
S/R 278-0082-053/057	M.L. MJS 6-3-93	SCALE NONE		MODEL GOLDLINE	
SR THIS DRAWING	ETL 6AW 6-3-93	Dwg No. 285-0082-007			
FAB 254-0082-007	SCALE NONE				
MT 263-0082-007	MODEL GOLDLINE				

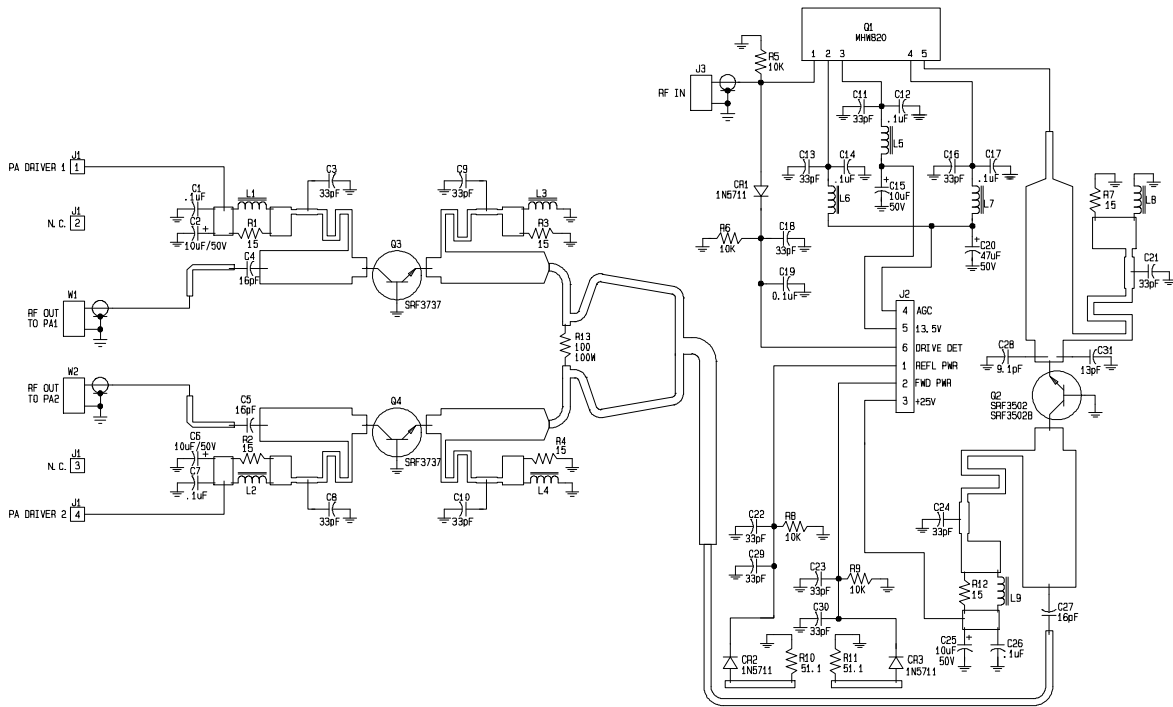


NOTES : 1) ALL RESISTORS ARE IN OHMS.

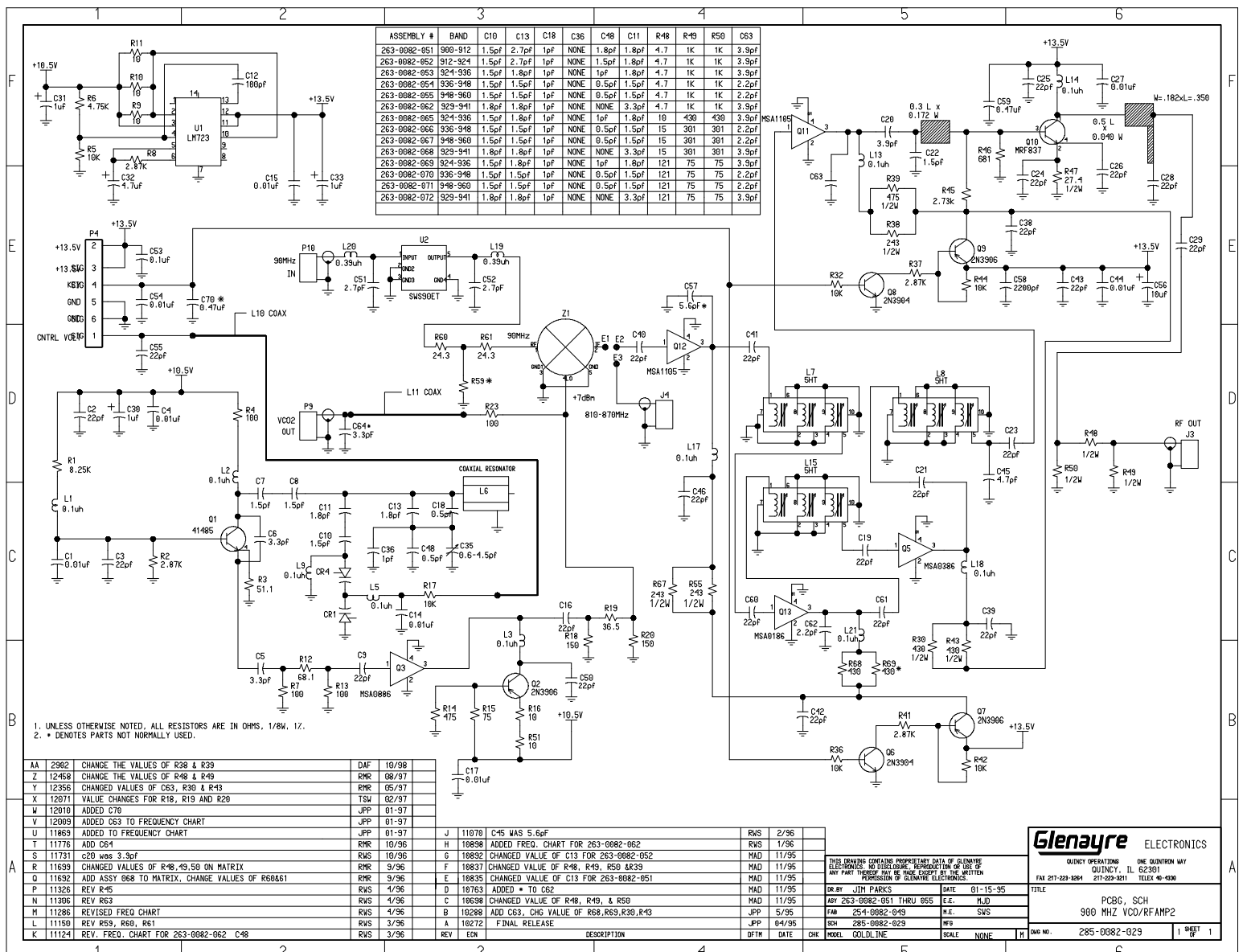
<p style="text-align: center;">THIS DRAWING CONTAINS PROPRIETARY DATA OF GLENAYRE ELECTRONICS. NO REPRODUCTION, REPRODUCTION OR USE OF ANY PART THEREOF MAY BE MADE WITHOUT THE WRITTEN PERMISSION OF GLENAYRE ELECTRONICS.</p>										
DR BY	ELP	DATE	11/8/93	TITLE						
AST	253-0082-021	E.E.		PCBT, SCH						
FAB	254-0082-031	N.E.		250W COMBINER BOARD						
REV	EON	DESCRIPTION	DTM	DATE	CHK	MODEL	GOLDLINE	SCALE	NONE	W
<p style="text-align: right;"> Glenayre ELECTRONICS ONE QUINCY WAY QUINCY, IL 62301 FAX 217-223-3254 217-223-3211 TELEX 46-4308 </p>										
<p style="text-align: right;"> Dwg No. 285-0082-021 1 SHEET OF 1 </p>										

DNG NO. 285-0082-022

F	10917	ADDED C31	ELP	6-10-96	GLENAYRE ELECTRONICS		DWG NO.	285-0082-022		
G	11305	C20 WAS 10uF	ELP	6-10-96	LTR	ECN	DESCRIPTION	DFTM	DATE	CHK
A	-----	FINAL RELEASE	ELP	11-8-93	MJS					
B	4535	ADDED C29, C30 ; W1, W2 LABELS	ELP	4-13-94	MJS					
C	10042	R13 WAS R6	ELP	3-15-95	SWS					
D	10264	C2, C6, C15, C20, C25 WERE 10uF/35V	ELP	7-20-95	SWS					
E	10917	Q2 WAS SRF3737	ELP	2-26-96	SWS					



THIS INFORMATION IS PROPRIETARY AND MUST NOT BE COPIED AND/OR REVEALED TO THIRD PARTIES WITHOUT WRITTEN CONSENT OF GLENAYRE ELECTRONICS.		DIMENSIONS IN INCHES TOLERANCE UNLESS NOTED: DECIMALS .XX ± +/- .010 .XXX ± +/- .003		Glenayre ELECTRONICS QUINCY, ILLINOIS	
A/W	278-0082-156 THRU 160	DR BY	ELP 11-8-93	TITLE PCBE, SCH 250W DRIVER BOARD	
S/S	NONE	CHKD	MJS 11-9-93	MATERIAL	
S/W	NONE	N.E.	MJS 11-9-93	FINISH	
SCR	THIS DRAWING	E.E.	GAW 11-9-93	SCALE	
FAB	254-0082-032	SCALE	NONE	DNG NO.	
AST	263-0082-022	MODEL	GOLD.LINE	285-0082-022	



1. UNLESS OTHERWISE NOTED, ALL RESISTORS ARE IN OHMS, 1/8W, 1%.
 2. * DENOTES PARTS NOT NORMALLY USED.

AA	2902	CHANGE THE VALUES OF R38 & R39	DAF	10/98
Z	12458	CHANGE THE VALUES OF R48 & R49	RMR	08/97
Y	12356	CHANGED VALUES OF C63, R30 & R43	RMR	05/97
X	12071	VALUE CHANGES FOR R18, R19 AND R20	TSW	02/97
W	12010	ADDED C70	JPP	01-97
V	12009	ADDED C63 TO FREQUENCY CHART	JPP	01-97
U	11869	ADDED TO FREQUENCY CHART	JPP	01-97
T	11776	ADD C64	RMR	10/96
S	11731	C20 WAS 3.9pF	RWS	10/96
R	11699	CHANGED VALUES OF R48, R49, R50 ON MATRIX	RMR	9/96
Q	11692	ADD ASSY 068 TO MATRIX, CHANGE VALUES OF R68&61	RMR	9/96
P	11326	REV R45	RWS	4/96
N	11306	REV R63	RWS	4/96
M	11286	REVISED FREQ CHART	RWS	4/96
L	11150	REV R55, R60, R61	RWS	3/96
K	11124	REV. FREQ. CHART FOR 263-0082-062 C48	RWS	3/96

J	11070	C46 HAS 5.6pF	RWS	2/96
H	10898	ADDED FREQ. CHART FOR 263-0082-062	RWS	1/96
G	10892	CHANGED VALUE OF C13 FOR 263-0082-052	MAD	11/95
F	10837	CHANGED VALUE OF R48, R49, R50 & R39	MAD	11/95
E	10835	CHANGED VALUE OF C13 FOR 263-0082-051	MAD	11/95
D	10763	ADDED * TO C62	MAD	11/95
C	10638	CHANGED VALUE OF R48, R49, & R50	MAD	11/95
B	10228	ADD C63, CHG VALUE OF R68, R69, R30, R43	JPP	5/95
A	10212	FINAL RELEASE	JPP	04/95

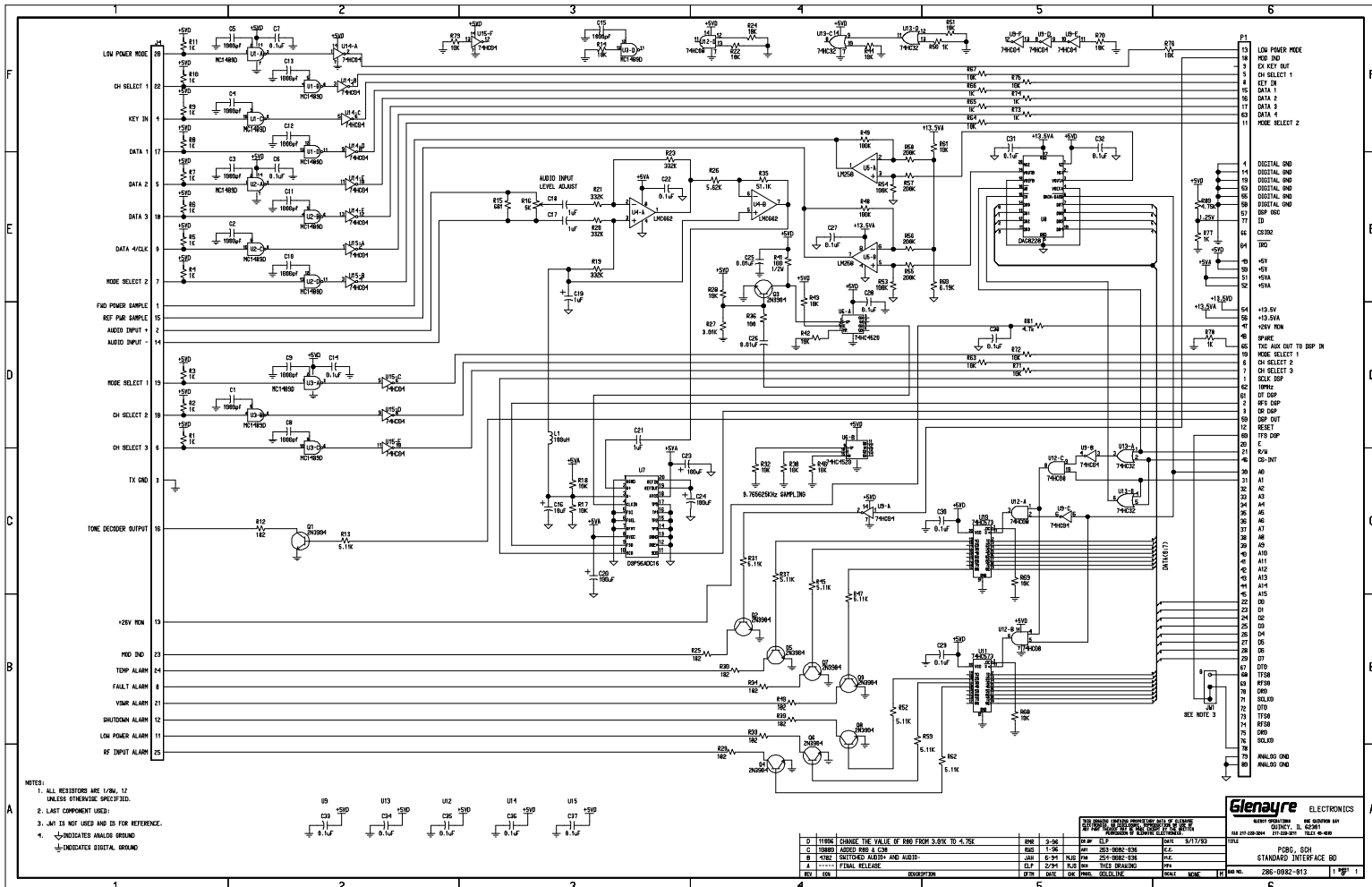
THIS DRAWING CONTAINS PROPRIETARY DATA OF GLENAYRE ELECTRONICS. NO REPRODUCTION OR USE OF ANY PART THEREOF MAY BE MADE WITHOUT THE WRITTEN PERMISSION OF GLENAYRE ELECTRONICS.

Glenayre ELECTRONICS
 QUINCY OPERATIONS ONE QUINCY WAY
 QUINCY, ILL 62301
 FAX 217-223-8284 217-223-8211 TELEX 40-4300

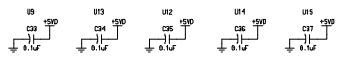
DR. BY JIM PARKS DATE 01-15-95 TITLE
 ASY 263-0082-051 THRU 055. E.E. MJD
 FAB 254-0082-049 I.E. SWS
 SCH 285-0082-029 MFG
 SCALE NONE

PCBG, SCH
 900 MHZ VCO/RFAMP2

DWG NO. 285-0082-029 1 SHEET OF 1



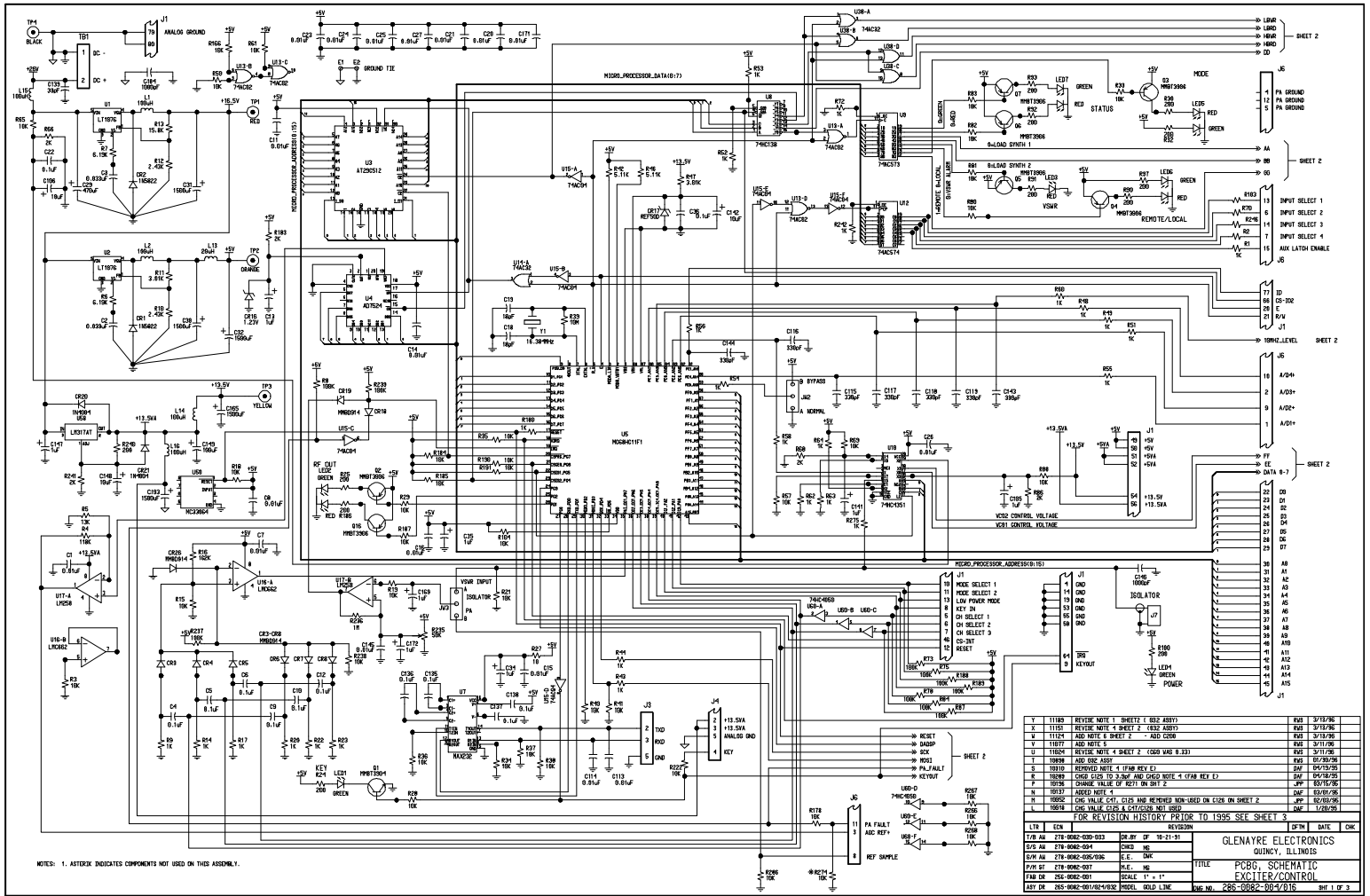
- NOTES:
1. ALL RESISTORS ARE 1/8W, 1% UNLESS OTHERWISE SPECIFIED.
 2. LAST COMPONENT USED.
 3. ARI IS NOT USED AND IS FOR REFERENCE.
 4. ∇ INDICATES ANALOG SIGNAL.
 5. ∇ INDICATES DIGITAL SIGNAL.



REV	DATE	DESCRIPTION	BY	CHK	APP
D	11/18/88	CHANGE THE VALUE OF R90 FROM 2.0K TO 4.7K	DMG	J-308	
C	11/18/88	ADDED REF A CSM	DMG	J-308	
B	6/24/88	SHIFTED AUDIO AND AUDIO	DMG	J-308	
A	1/25/88	FINAL RELEASE	DMG	J-308	

Glenayre ELECTRONICS
 10111 224 2044 FAX 10111 224 2044
 10111 224 2044 FAX 10111 224 2044
 10111 224 2044 FAX 10111 224 2044

DATE: 9/17/93
 FILE: 288-0882-838
 P/L: 288-0882-838
 TITLE: STANDARD INTERFACE BO
 SHEET NO: 288-0882-813 OF 1

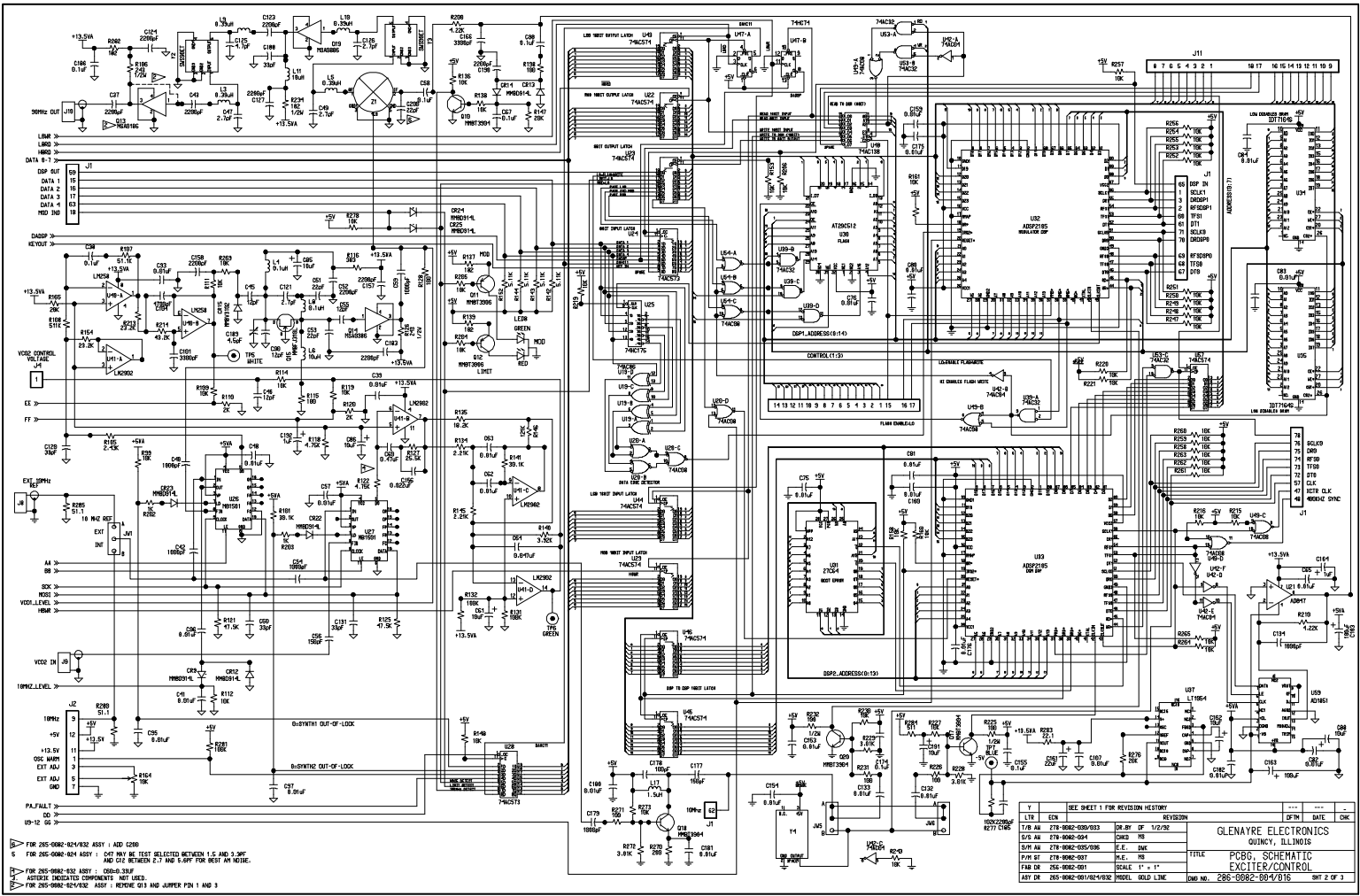


NOTES: 1. ASTERIS INDICATES COMPONENTS NOT USED ON THIS ASSEMBLY.

REV	DESCRIPTION	DATE	BY
Y	11180 REVISE NOTE 1 SHEET 1 (832 ASST)	8/11/76	RBG
X	11180 REVISE NOTE 4 SHEET 2 (832 ASST)	8/11/76	RBG
W	11180 ADD NOTE 5 SHEET 2 - ADD C586	8/11/76	RBG
V	11877 ADD NOTE 5	8/11/76	RBG
U	11880 REVISE NOTE 4 SHEET 2 (832 WAS 9-32)	8/11/76	RBG
T	12086 ADD ASSY	8/11/76	RBG
S	12010 REVISED NOTE 4 (7/24 REV E)	8/11/76	RBG
R	12039 CHG LEDS TO 3.0V AND CHG NOTE 4 (7/24 REV E)	8/11/76	RBG
P	12036 CHANGE VALUE OF R271 ON SHEET 2	8/11/76	JPP
N	12037 REVISE NOTE 4	8/11/76	RBG
M	12032 CHG VALS E C21, C15 AND REVISE NON-USED ON CH2 ON SHEET 2	8/11/76	JPP
L	12031 CHG VALS C16 & C17 ON SHEET 2	8/11/76	JPP

FOR REVISION HISTORY PRIOR TO 1995 SEE SHEET 3			
LIB	ECN	REVISION	DATE
LIB	278-0002-003	CHG BY OF 12-21-91	
LIB	278-0002-004	CHG HE	
LIB	278-0002-005/006	E.E. DAK	
LIB	278-0002-007	M.E. HE	
LIB	278-0002-001	SCALE 1" = 1"	

GLENAYRE ELECTRONICS		QUINCY, ILLINOIS	
TITLE		PCBS - SCHEMATIC	
DRAWN BY		ELECTRICAL CONTROL	
ASY DR	285-0002-001/004/002	MODEL	GOLD LINE
ORD NO.	285-0002-004/016	SHEET 1 OF 3	

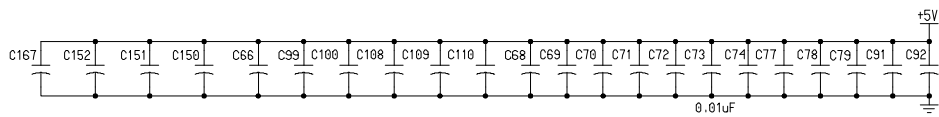


4 FOR 285-0082-824 ASSY : AID Q260
 5 FOR 285-0082-824 ASSY : D47 MAY BE TEST SELECTED BETWEEN 1.5 AND 3.3UF.
 6 FOR 285-0082-824 ASSY : AND C25 BETWEEN C17 AND 5.0UF FOR BEST AN NOISE.
 7 FOR 285-0082-832 ASSY : C56-0.33UF
 8 FOR 285-0082-832 ASSY : C74 MAY BE TEST SELECTED BETWEEN 1.5 AND 3.3UF.
 9 FOR 285-0082-824 ASSY : AND C25 BETWEEN C17 AND 5.0UF FOR BEST AN NOISE.

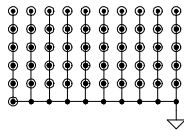
Y
LTR	ECN	SEC SHEET 1 FOR REVISION HISTORY	REVISON	DATE	CHK
178	AA	278-0082-035/033	DR BY	1/2/92	
179	AA	278-0082-034	CHKD BY		
170	AA	278-0082-035/035	PLT	CHK	
171	AE	278-0082-037	SCALE	1" = 1"	
172	DE	278-0082-031			
173	DE	285-0082-001/001/002	MODEL	WALD LINE	DRW NO. 286-0062-00-0/016
					SHT 2 OF 3

GLENAYRE ELECTRONICS
QUINCY, ILLINOIS

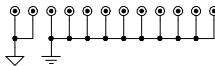
TITLE PCB Schematic
EXCITER/CONTROL



ALL HOLES FOR CANS ARE GROUNDED
51 TOTAL



ALL MOUNTING HOLES ARE GROUNDED
2 TIED TO SGROUND 10 TIED TO GROUND



THIS REVISION BLOCK IS PRIOR 1995 HISTORY.
IT IS FOR REFERENCE ONLY AND SHOULD NOT BE CHANGED.

K	5854	ENG CHANGES/ADD JIC	DF	5/28/94
J	4916	ENG CHANGES/ADD R285	DF	3/23/94
H	4795	ENG CHG	DF	7/18/94
G	4785	DELETE L16, C48	DF	7/18/94
F	4842	DELETE L16, C230	DF	7/18/94
E	4830	CHANGE R186, R147	DF	7/18/94
D	4816	ADD R287, C287	DF	7/18/94
C	4813	CHANGE U2	DF	7/18/94
B	4248	ADD R282, DELETE C187	DF	5/93
A		FINAL RELEASE	DF	5/93

REV	4852	1	7/28/94	DF	7/28/94	05	288-0882-084/016	3	MP
REV	4852	1	7/28/94	DF	7/28/94	05	288-0882-084/016	3	MP
REV	4852	1	7/28/94	DF	7/28/94	05	288-0882-084/016	3	MP
REV	4852	1	7/28/94	DF	7/28/94	05	288-0882-084/016	3	MP
REV	4852	1	7/28/94	DF	7/28/94	05	288-0882-084/016	3	MP
REV	4852	1	7/28/94	DF	7/28/94	05	288-0882-084/016	3	MP
REV	4852	1	7/28/94	DF	7/28/94	05	288-0882-084/016	3	MP
REV	4852	1	7/28/94	DF	7/28/94	05	288-0882-084/016	3	MP
REV	4852	1	7/28/94	DF	7/28/94	05	288-0882-084/016	3	MP
REV	4852	1	7/28/94	DF	7/28/94	05	288-0882-084/016	3	MP

Glenayre ELECTRONICS
 6875 WOODWAY RD
 GAITHERSBURG, MD 20878
 TEL 301-288-2000 FAX 301-288-2001
 WWW.GLENAYRE.COM

REV: 4852-0882-084/016
 DATE: 7/28/94
 TITLE: SCHEMATIC
 EXCITER/CONTROL
 SHEET NO. 288-0882-084/016 3 OF 3