

NOTES:

- 1. COMPONENTS MARKED "*" NOT NORMALLY PLACED; R27, R55 R76, R93, R94, R176

REV	ECO	DESCRIPTION	DATE	ENG	DPT	CHK	REF
1		MARK DESIGN CHGB	6/99	BD	JAH		
2		PHILIPPIAN RELEASE	2/99	BD	JAH		

Glenayre 1860

THIS DOCUMENT AND ITS INFORMATION ARE CONFIDENTIAL AND PROPRIETARY TO GLENAYRE AND DISCLOSURE OUTSIDE GLENAYRE IS PROHIBITED

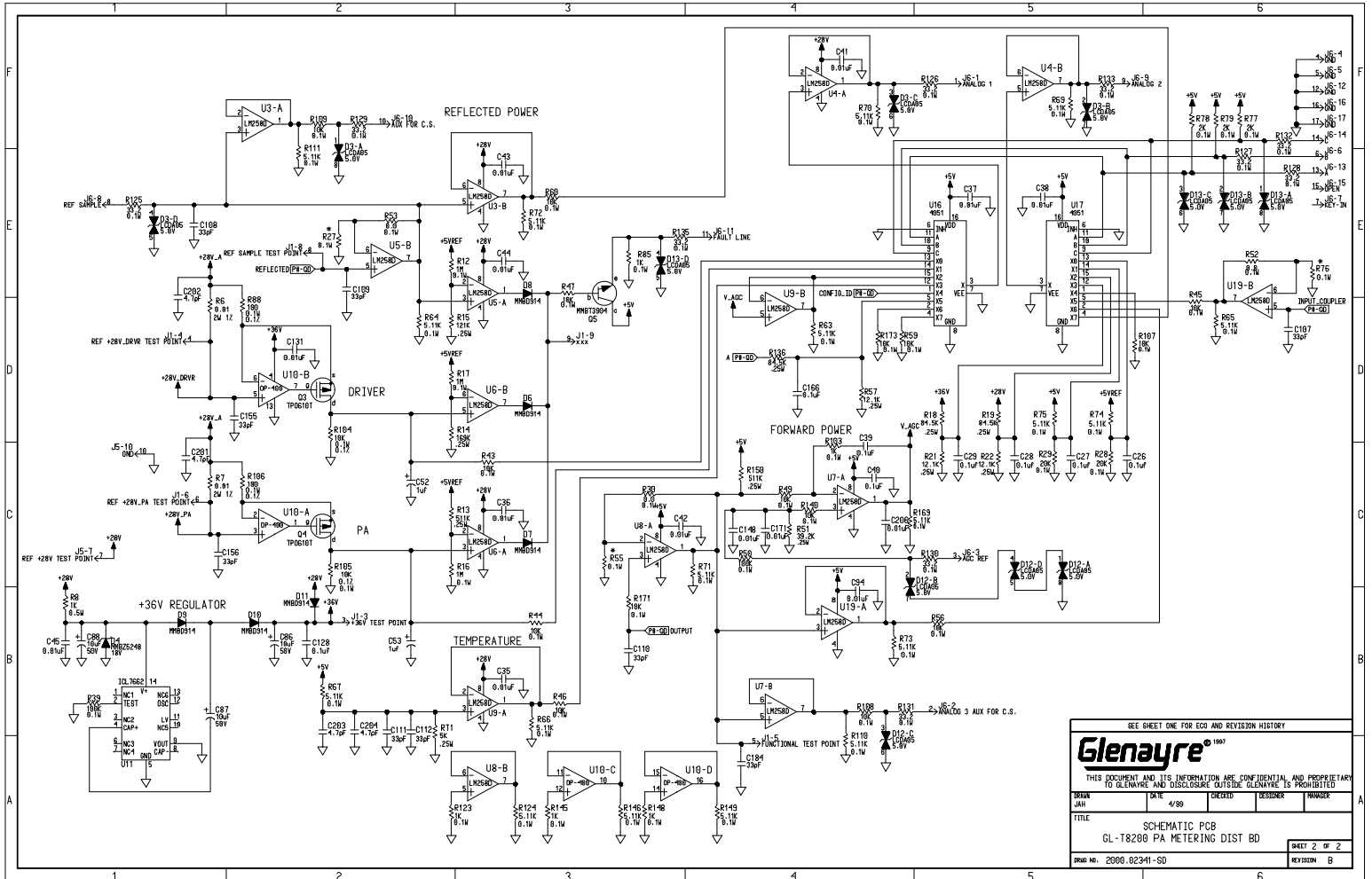
BRN	JAH	DATE	4/99	DESIGN	DESIGNER	MANAGER
-----	-----	------	------	--------	----------	---------

TITLE: SCHEMATIC PCB
GL-78200 PA METERING DIST. BD

DRW NO. 2080 02341-SD

SHEET 1 OF 2

REVISION B



SEE SHEET ONE FOR ECO AND REVISION HISTORY

Glenayre® 1800

THIS DOCUMENT AND ITS INFORMATION ARE CONFIDENTIAL AND PROPRIETARY TO GLENAYRE AND DISCLOSURE OUTSIDE GLENAYRE IS PROHIBITED

DATE	DESIGN	DESIGNED	REVISED
JAH	4/99		

TITLE: SCHEMATIC PCB
GL-T8288 PA METERING DIST BD

SHEET 2 OF 2

DRAW NO. 2088 02341-SD

REVISION B