

REV	DATE	CHK
1	12/18/80	
2	5/15/86	
3	3/17/86	
4	3/17/86	
5	3/17/86	
6	3/17/86	
7	3/17/86	
8	3/17/86	
9	3/17/86	
10	3/17/86	
11	3/17/86	
12	3/17/86	
13	3/17/86	
14	3/17/86	
15	3/17/86	
16	3/17/86	
17	3/17/86	
18	3/17/86	
19	3/17/86	
20	3/17/86	
21	3/17/86	
22	3/17/86	
23	3/17/86	
24	3/17/86	
25	3/17/86	
26	3/17/86	
27	3/17/86	
28	3/17/86	
29	3/17/86	
30	3/17/86	
31	3/17/86	
32	3/17/86	
33	3/17/86	
34	3/17/86	
35	3/17/86	
36	3/17/86	
37	3/17/86	
38	3/17/86	
39	3/17/86	
40	3/17/86	
41	3/17/86	
42	3/17/86	
43	3/17/86	
44	3/17/86	
45	3/17/86	
46	3/17/86	
47	3/17/86	
48	3/17/86	
49	3/17/86	
50	3/17/86	
51	3/17/86	
52	3/17/86	
53	3/17/86	
54	3/17/86	
55	3/17/86	
56	3/17/86	
57	3/17/86	
58	3/17/86	
59	3/17/86	
60	3/17/86	
61	3/17/86	
62	3/17/86	
63	3/17/86	
64	3/17/86	
65	3/17/86	
66	3/17/86	
67	3/17/86	
68	3/17/86	
69	3/17/86	
70	3/17/86	
71	3/17/86	
72	3/17/86	
73	3/17/86	
74	3/17/86	
75	3/17/86	
76	3/17/86	
77	3/17/86	
78	3/17/86	
79	3/17/86	
80	3/17/86	
81	3/17/86	
82	3/17/86	
83	3/17/86	
84	3/17/86	
85	3/17/86	
86	3/17/86	
87	3/17/86	
88	3/17/86	
89	3/17/86	
90	3/17/86	
91	3/17/86	
92	3/17/86	
93	3/17/86	
94	3/17/86	
95	3/17/86	
96	3/17/86	
97	3/17/86	
98	3/17/86	
99	3/17/86	
100	3/17/86	

FOR REVISION HISTORY REFER TO 1996 SEC SHEET 3

REV D 285-0882-004-016 Rev No. 285-0882-004/016 SHEET 1 OF 3

DATE: 12/18/80

REV: 5/15/86

REV: 3/17/86

REV: 3/17/86

REV: 3/17/86

REV: 3/17/86

REV: 3/17/86

REV: 3/17/86

REV: 3/17/86

REV: 3/17/86

REV: 3/17/86

REV: 3/17/86

REV: 3/17/86

REV: 3/17/86

REV: 3/17/86

REV: 3/17/86

REV: 3/17/86

REV: 3/17/86

REV: 3/17/86

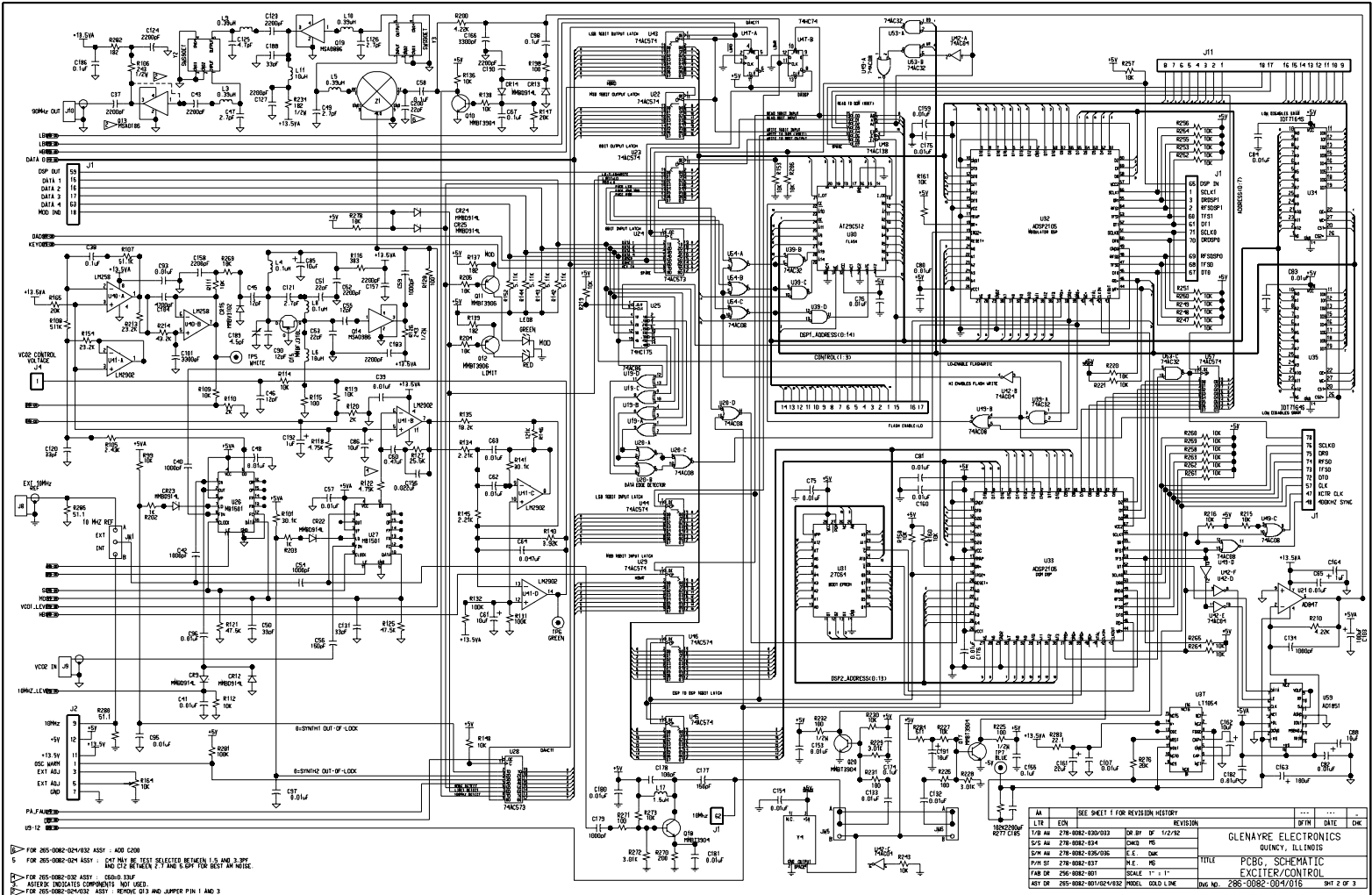
REV: 3/17/86

REV: 3/17/86

REV: 3/17/86

REV: 3/17/86

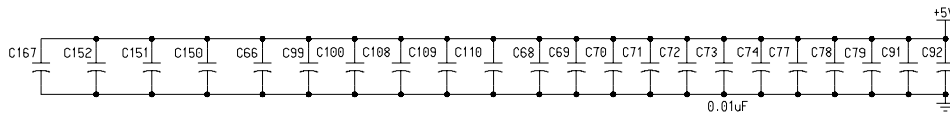
REV: 3/17/86



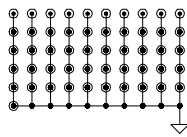
▶ FOR 285-0082-02/032 ASSY - ADD C200
 ✖ FOR 285-0082-02/031 ASSY - C200 MAY BE TEST SELECTED BETWEEN 1.0 AND 2.0PF.
 AND C12 BETWEEN 2.7 AND 5.0PF FOR BEST AM NOISE.
 ▶ FOR 285-0082-02/032 ASSY - REMOVE R207
 ▶ ASSEMBLY INDICATES COMPONENTS NOT USED.
 ▶ FOR 285-0082-02/032 ASSY - REMOVE U13 AND JUMPER PIN 1 AND 3

REV	DATE	BY	CHK
AA	SEE SHEET 1 FOR REVISION HISTORY		
LTE	EN		
178	278-0082-020/033	20	27
179	278-0082-024	20	27
180	278-0082-026/036	11	20
181	278-0082-037	11	20
182	278-0082-039	11	20
183	278-0082-041	11	20
184	278-0082-043	11	20
185	278-0082-045	11	20
186	278-0082-047	11	20
187	278-0082-049	11	20
188	278-0082-051	11	20
189	278-0082-053	11	20
190	278-0082-055	11	20
191	278-0082-057	11	20
192	278-0082-059	11	20
193	278-0082-061	11	20
194	278-0082-063	11	20
195	278-0082-065	11	20
196	278-0082-067	11	20
197	278-0082-069	11	20
198	278-0082-071	11	20
199	278-0082-073	11	20
200	278-0082-075	11	20
201	278-0082-077	11	20
202	278-0082-079	11	20
203	278-0082-081	11	20
204	278-0082-083	11	20
205	278-0082-085	11	20
206	278-0082-087	11	20
207	278-0082-089	11	20
208	278-0082-091	11	20
209	278-0082-093	11	20
210	278-0082-095	11	20
211	278-0082-097	11	20
212	278-0082-099	11	20
213	278-0082-101	11	20
214	278-0082-103	11	20
215	278-0082-105	11	20
216	278-0082-107	11	20
217	278-0082-109	11	20
218	278-0082-111	11	20
219	278-0082-113	11	20
220	278-0082-115	11	20
221	278-0082-117	11	20
222	278-0082-119	11	20
223	278-0082-121	11	20
224	278-0082-123	11	20
225	278-0082-125	11	20
226	278-0082-127	11	20
227	278-0082-129	11	20
228	278-0082-131	11	20
229	278-0082-133	11	20
230	278-0082-135	11	20
231	278-0082-137	11	20
232	278-0082-139	11	20
233	278-0082-141	11	20
234	278-0082-143	11	20
235	278-0082-145	11	20
236	278-0082-147	11	20
237	278-0082-149	11	20
238	278-0082-151	11	20
239	278-0082-153	11	20
240	278-0082-155	11	20
241	278-0082-157	11	20
242	278-0082-159	11	20
243	278-0082-161	11	20
244	278-0082-163	11	20
245	278-0082-165	11	20
246	278-0082-167	11	20
247	278-0082-169	11	20
248	278-0082-171	11	20
249	278-0082-173	11	20
250	278-0082-175	11	20
251	278-0082-177	11	20
252	278-0082-179	11	20
253	278-0082-181	11	20
254	278-0082-183	11	20
255	278-0082-185	11	20
256	278-0082-187	11	20
257	278-0082-189	11	20
258	278-0082-191	11	20
259	278-0082-193	11	20
260	278-0082-195	11	20
261	278-0082-197	11	20
262	278-0082-199	11	20
263	278-0082-201	11	20
264	278-0082-203	11	20
265	278-0082-205	11	20
266	278-0082-207	11	20
267	278-0082-209	11	20
268	278-0082-211	11	20
269	278-0082-213	11	20
270	278-0082-215	11	20
271	278-0082-217	11	20
272	278-0082-219	11	20
273	278-0082-221	11	20
274	278-0082-223	11	20
275	278-0082-225	11	20
276	278-0082-227	11	20
277	278-0082-229	11	20
278	278-0082-231	11	20
279	278-0082-233	11	20
280	278-0082-235	11	20
281	278-0082-237	11	20
282	278-0082-239	11	20
283	278-0082-241	11	20
284	278-0082-243	11	20
285	278-0082-245	11	20
286	278-0082-247	11	20
287	278-0082-249	11	20
288	278-0082-251	11	20
289	278-0082-253	11	20
290	278-0082-255	11	20
291	278-0082-257	11	20
292	278-0082-259	11	20
293	278-0082-261	11	20
294	278-0082-263	11	20
295	278-0082-265	11	20
296	278-0082-267	11	20
297	278-0082-269	11	20
298	278-0082-271	11	20
299	278-0082-273	11	20
300	278-0082-275	11	20

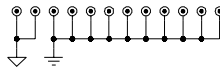
GLENAYRE ELECTRONICS
 QUINCY, ILLINOIS
 TITLE: PCB SCHEMATIC
 EXCITER/CONTROL
 285-0082-004/016 SH1 2 OF 3



ALL HOLES FOR CANS ARE GROUNDED
51 TOTAL



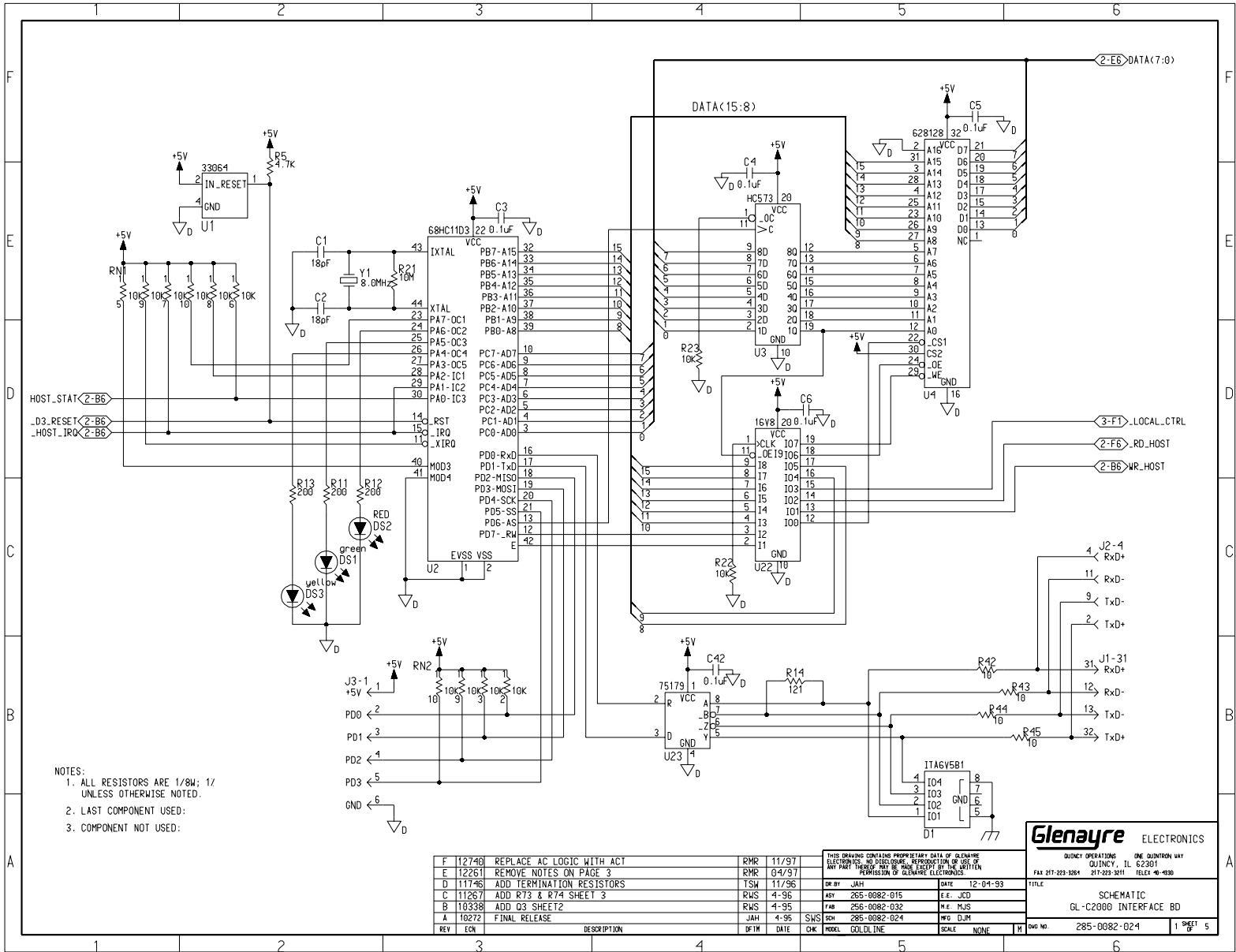
ALL MOUNTING HOLES ARE GROUNDED
2 TIED TO SROUND 10 TIED TO GROUND



THIS REVISION BLOCK IS PRIOR 1995 HISTORY.
IT IS FOR REFERENCE ONLY AND SHOULD NOT BE CHANGED.

K	6962	ENG CHANGE/ADD RIB	DAF	5/28/94
J	4916	ENG CHANGE/ADD RIBS	DAF	5/23/94
H	4763	CHG C107	BUS	7/18/94
G	4760	DELETE U6, C94	BUS	7/18/94
F	4662	DELETE U16, C176	BUS	7/18/94
E	4660	CHANGE R186, R174	BUS	7/18/94
D	4645	ADD R241, C181	BUS	7/18/94
C	4613	CHANGE C87	BUS	7/18/94
B	4248	ADD R243, DELETE C187	DF	5/93
A		FINAL RELEASE	DF	6/93

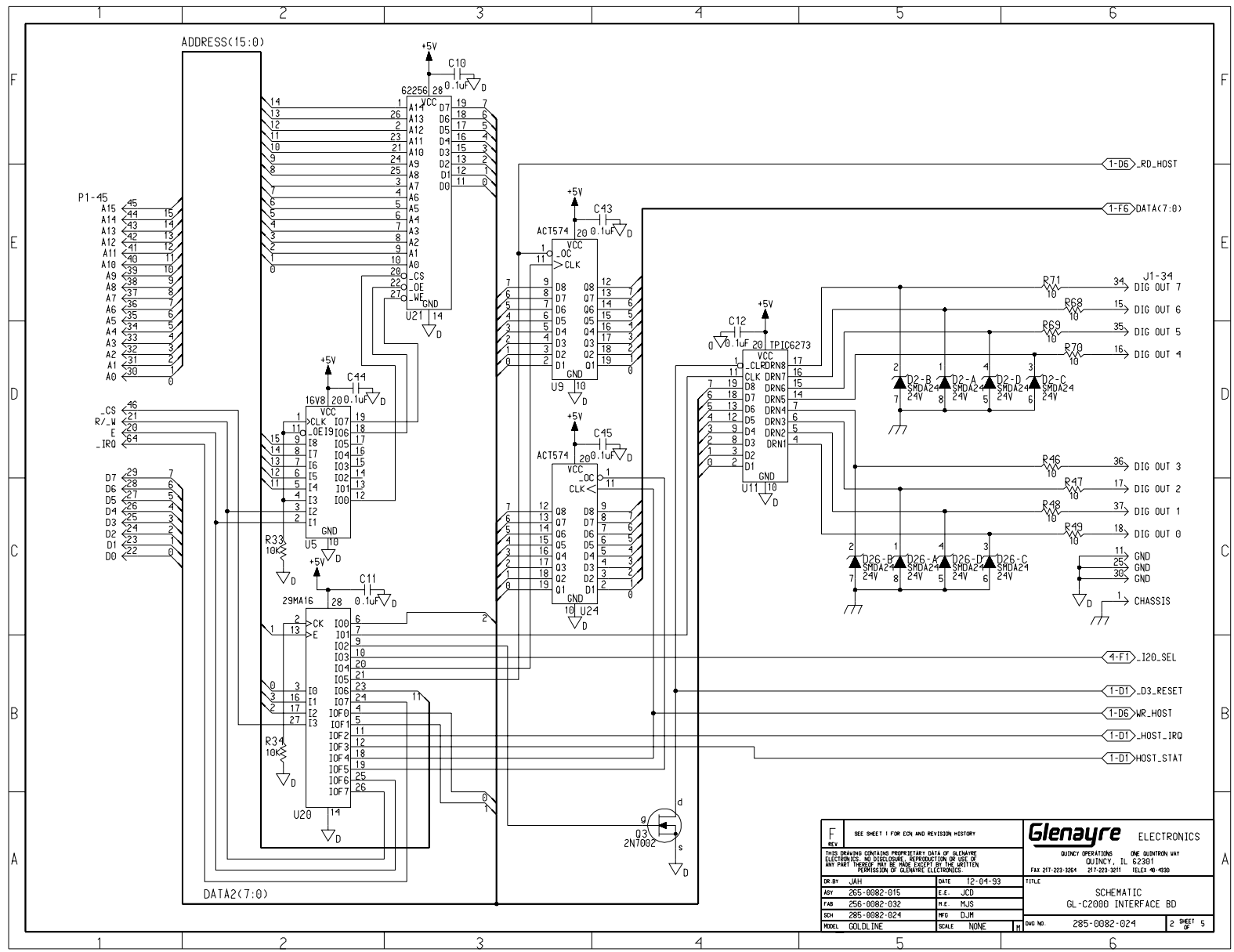
AA	SEE SHEET 1 FOR SCH AND REVISION HISTORY	Glenayre ELECTRONICS
REV	DATE	BY
1	07/28/2004	DAF
2	07/28/2004	DAF
3	07/28/2004	DAF
4	07/28/2004	DAF
5	07/28/2004	DAF
6	07/28/2004	DAF
7	07/28/2004	DAF
8	07/28/2004	DAF
9	07/28/2004	DAF
10	07/28/2004	DAF
11	07/28/2004	DAF
12	07/28/2004	DAF
13	07/28/2004	DAF
14	07/28/2004	DAF
15	07/28/2004	DAF
16	07/28/2004	DAF
17	07/28/2004	DAF
18	07/28/2004	DAF
19	07/28/2004	DAF
20	07/28/2004	DAF
21	07/28/2004	DAF
22	07/28/2004	DAF
23	07/28/2004	DAF
24	07/28/2004	DAF
25	07/28/2004	DAF
26	07/28/2004	DAF
27	07/28/2004	DAF
28	07/28/2004	DAF
29	07/28/2004	DAF
30	07/28/2004	DAF
31	07/28/2004	DAF
32	07/28/2004	DAF
33	07/28/2004	DAF
34	07/28/2004	DAF
35	07/28/2004	DAF
36	07/28/2004	DAF
37	07/28/2004	DAF
38	07/28/2004	DAF
39	07/28/2004	DAF
40	07/28/2004	DAF
41	07/28/2004	DAF
42	07/28/2004	DAF
43	07/28/2004	DAF
44	07/28/2004	DAF
45	07/28/2004	DAF
46	07/28/2004	DAF
47	07/28/2004	DAF
48	07/28/2004	DAF
49	07/28/2004	DAF
50	07/28/2004	DAF
51	07/28/2004	DAF
52	07/28/2004	DAF
53	07/28/2004	DAF
54	07/28/2004	DAF
55	07/28/2004	DAF
56	07/28/2004	DAF
57	07/28/2004	DAF
58	07/28/2004	DAF
59	07/28/2004	DAF
60	07/28/2004	DAF
61	07/28/2004	DAF
62	07/28/2004	DAF
63	07/28/2004	DAF
64	07/28/2004	DAF
65	07/28/2004	DAF
66	07/28/2004	DAF
67	07/28/2004	DAF
68	07/28/2004	DAF
69	07/28/2004	DAF
70	07/28/2004	DAF
71	07/28/2004	DAF
72	07/28/2004	DAF
73	07/28/2004	DAF
74	07/28/2004	DAF
75	07/28/2004	DAF
76	07/28/2004	DAF
77	07/28/2004	DAF
78	07/28/2004	DAF
79	07/28/2004	DAF
80	07/28/2004	DAF
81	07/28/2004	DAF
82	07/28/2004	DAF
83	07/28/2004	DAF
84	07/28/2004	DAF
85	07/28/2004	DAF
86	07/28/2004	DAF
87	07/28/2004	DAF
88	07/28/2004	DAF
89	07/28/2004	DAF
90	07/28/2004	DAF
91	07/28/2004	DAF
92	07/28/2004	DAF
93	07/28/2004	DAF
94	07/28/2004	DAF
95	07/28/2004	DAF
96	07/28/2004	DAF
97	07/28/2004	DAF
98	07/28/2004	DAF
99	07/28/2004	DAF
100	07/28/2004	DAF



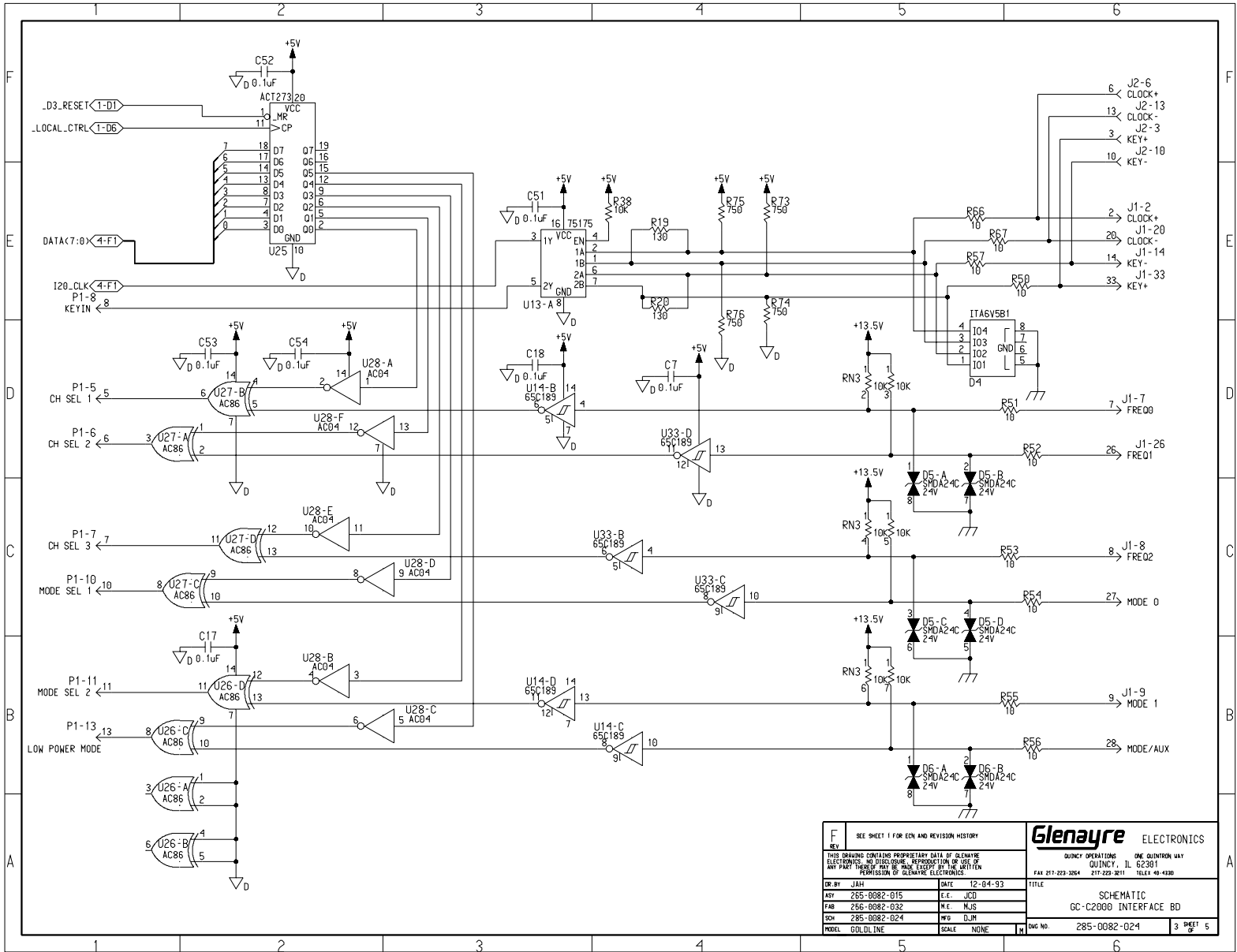
- NOTES:
 1. ALL RESISTORS ARE 1/8W; 1% UNLESS OTHERWISE NOTED.
 2. LAST COMPONENT USED:
 3. COMPONENT NOT USED:

F	12740	REPLACE AC LOGIC WITH ACT	RMR	11/97	THIS DRAWING CONTAINS PROPRIETARY DATA OF GLENAYRE ELECTRONICS. NO DISSEMINATION, REPRODUCTION OR USE OF ANY PART THEREOF MAY BE MADE WITHOUT THE WRITTEN PERMISSION OF GLENAYRE ELECTRONICS.	DATE	12-04-93	TITLE	SCHMATIC	
E	12261	REMOVE NOTES ON PAGE 3	TSW	04/97		DR BY	JAH	SCALE	NONE	
D	11746	ADD TERMINATION RESISTORS	TSW	11/95		AST	265-0082-015	M.E. JCD	GL-C2000 INTERFACE BD	
C	11267	ADD R73 & R74 SHEET 3	RWS	4-96		FAB	265-0082-032	M.E. MJS		
B	110338	ADD D3 SHEET 3	RWS	4-95		SEM	285-0082-024	MFD DJM		
A	10272	FINAL RELEASE	JAH	4-95	CHK	GOLDLINE		DWG NO.	285-0082-024	
REV	ECN	DESCRIPTION	DATE	OK	MODEL	GOLDLINE	SCALE	NONE	SHEET	5

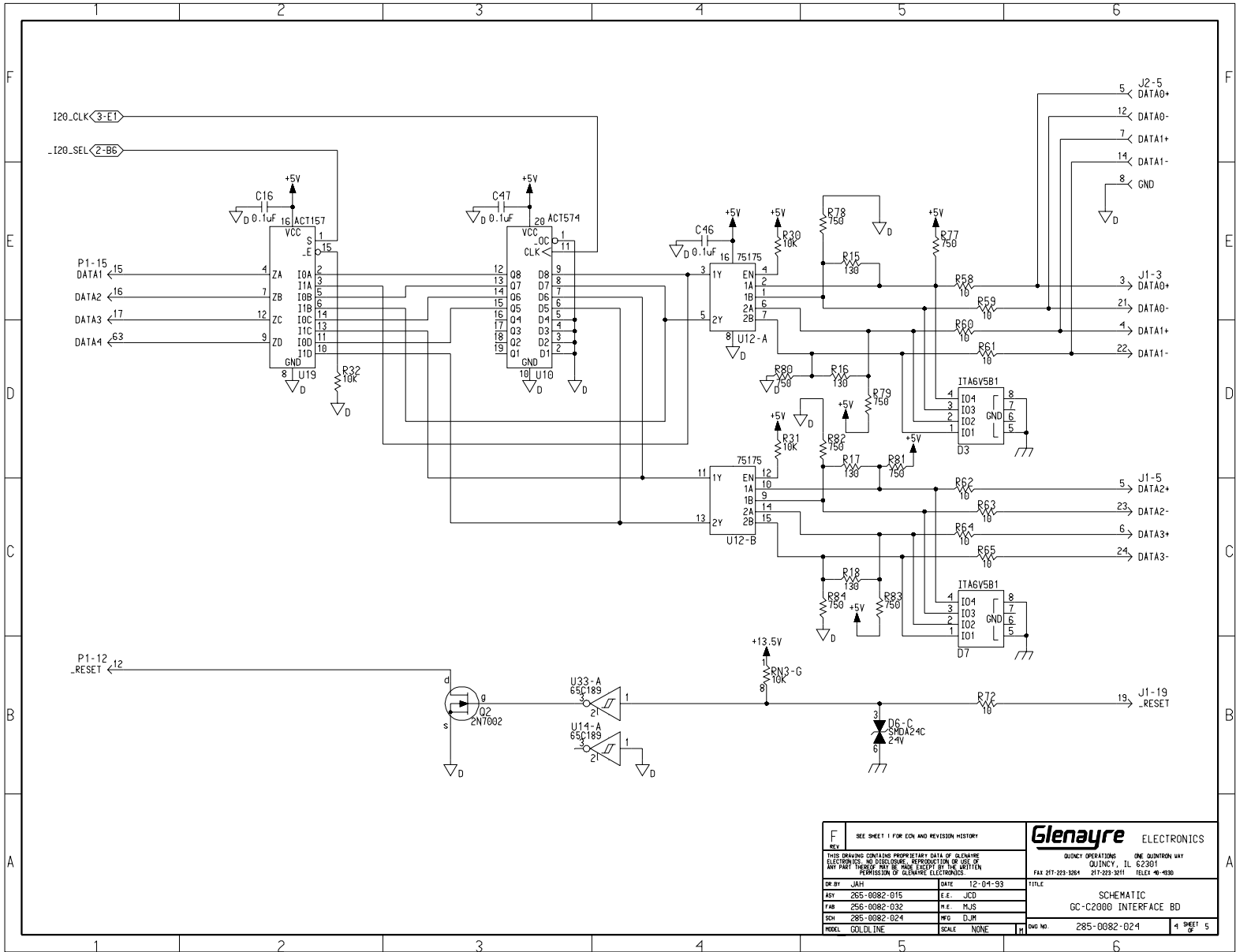
Glenayre ELECTRONICS
 QUINCY OPERATIONS ONE QUINCY WAY
 QUINCY, IL 62301
 FAX 217-223-8281 217-223-2611 TELEX 40-1658



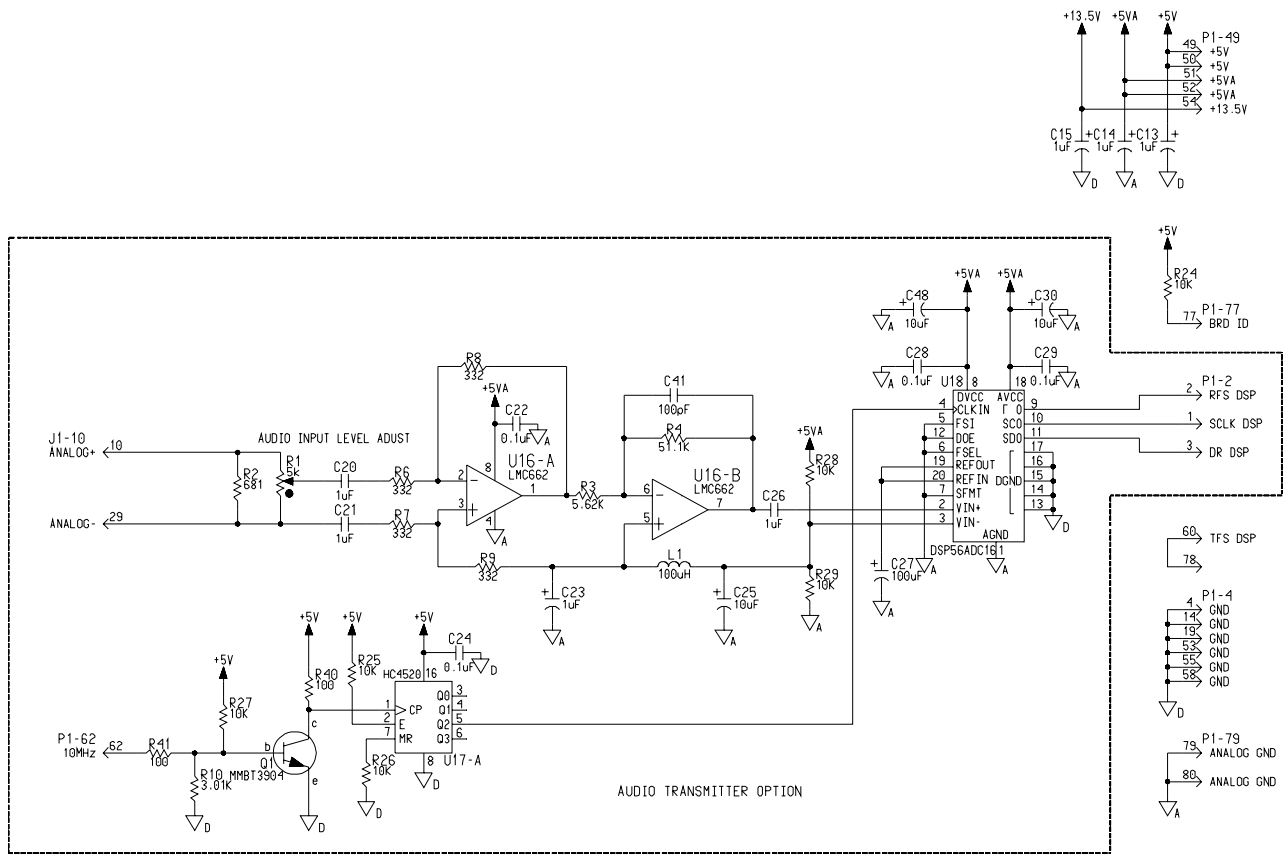
F SEE SHEET 1 FOR ECU AND REVISION HISTORY <small>REV</small>		Glenayre ELECTRONICS <small>QUINCY OPERATIONS ONE QUINCY WAY QUINCY, IL 62301 FAX 217-223-8281 217-223-2611 TELEX 40-1650</small>	
<small>THIS DRAWING CONTAINS PROPRIETARY DATA OF GLENAYRE ELECTRONICS. NO DISSEMINATION, REPRODUCTION OR USE OF ANY PART THEREOF FOR ANY PURPOSES WITHOUT THE PERMISSION OF GLENAYRE ELECTRONICS.</small>			
<small>DR BY</small> JAM <small>AST</small> 26S-0082-015 <small>FAB</small> 26S-0082-032 <small>SCH</small> 26S-0082-024 <small>MODEL</small> GOLDLINE	<small>DATE</small> 12-04-93 <small>E.E.</small> JCD <small>M.E.</small> MJS <small>MFD</small> DJM <small>SCALE</small> NONE	<small>TITLE</small> SCHEMATIC GL-C2000 INTERFACE BD	<small>ENG NO.</small> 26S-0082-024 <small>SHEET</small> 5



SEE SHEET 1 FOR EEN AND REVISION HISTORY		Glenayre ELECTRONICS	
THIS DRAWING CONTAINS PROPRIETARY DATA OF GLENAYRE ELECTRONICS. NO DISSEMINATION, REPRODUCTION OR USE OF ANY PART HEREOF FOR ANY PURPOSES WITHOUT THE PERMISSION OF GLENAYRE ELECTRONICS.		QUINCY OPERATIONS ONE QUINTRON WAY QUINCY, IL 62301 FAX 217-223-3254 217-223-2611 TELE 48-4180	
DR BY: JAH	DATE: 12-04-93	TITLE: SCHEMATIC	
AST: 255-0082-015	E.C.: JCD	GC-C2000 INTERFACE BD	
FAB: 256-0082-032	M.E.: MJS	DWG NO: 285-0082-024	
SCH: 285-0082-024	MFD: DJH	3 SHEET 5	
MODEL: GOLDLINE	SCALE: NONE		

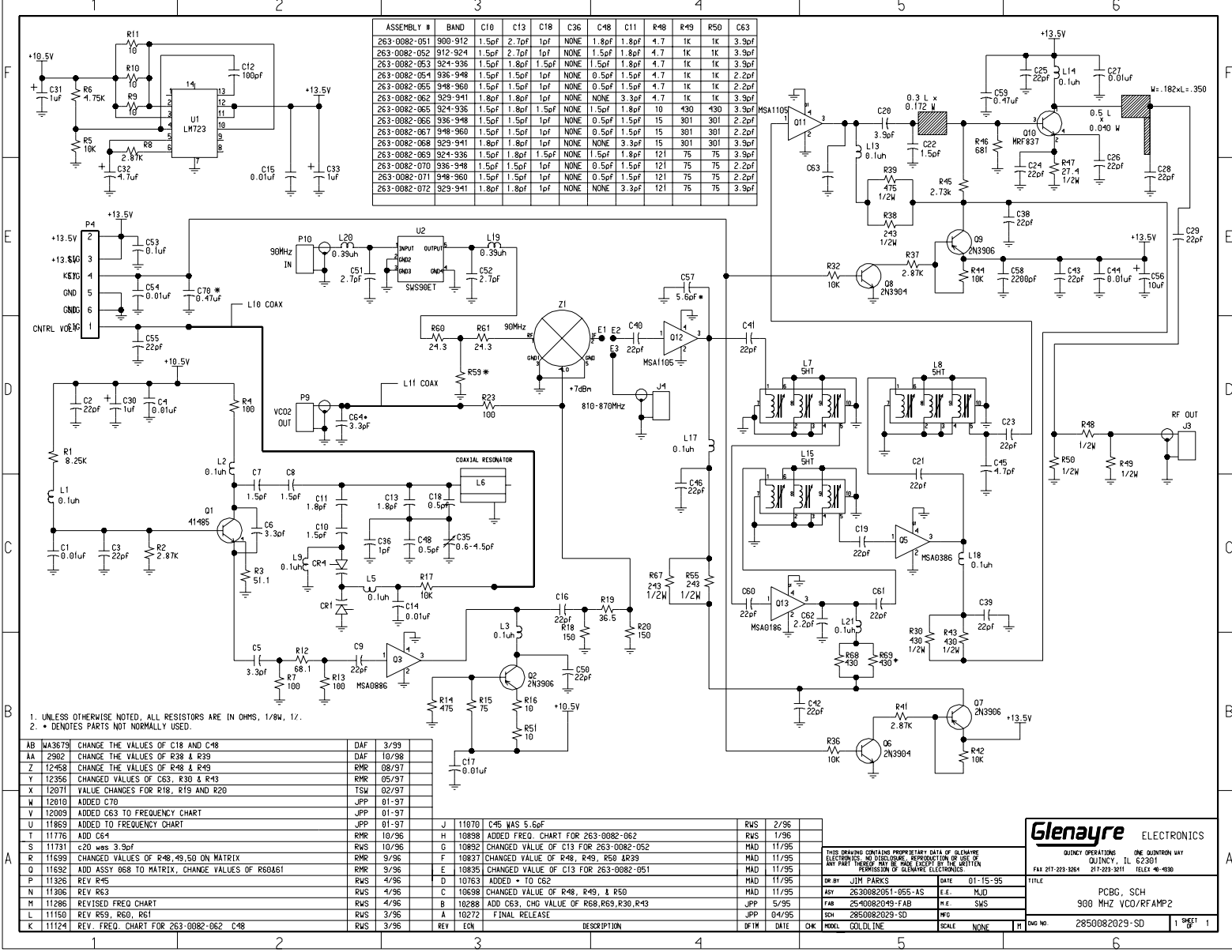


SEE SHEET 1 FOR ECU AND REVISION HISTORY		Glenayre ELECTRONICS	
THIS DRAWING CONTAINS PROPRIETARY DATA OF GLENAYRE ELECTRONICS. NO DISSEMINATION, REPRODUCTION OR USE OF ANY PART THEREOF MAY BE MADE WITHOUT THE WRITTEN PERMISSION OF GLENAYRE ELECTRONICS.		QUINCY OPERATIONS ONE QUINCY WAY QUINCY, IL 62301 FAX 217-223-8281 217-223-2611 TELEX 46-1658	
DR BY: JAM	DATE: 12-04-93	TITLE: SCHEMATIC	
AST: 265-0082-015	E.C.: JCD	GC-C2000 INTERFACE BD	
FAB: 258-0082-032	M.E.: MJS	Dwg No: 285-0082-024	
SD: 285-0082-024	MFD: DJM	SHEET 5	
MODEL: GOLDLINE	SCALE: NONE		



SEE SHEET 1 FOR ECU AND REVISION HISTORY		Glenayre ELECTRONICS	
THIS DRAWING CONTAINS PROPRIETARY DATA OF GLENAYRE ELECTRONICS. NO DISSEMINATION, REPRODUCTION OR USE OF ANY PART THEREOF FOR ANY PURPOSES WITHOUT THE WRITTEN PERMISSION OF GLENAYRE ELECTRONICS.		QUINCY OPERATIONS ONE QUINCY WAY QUINCY, IL 62301 FAX 217-223-8201 217-223-2611 TELE 401-9580	
DR BY	JAM	DATE	12-04-93
AST	265-0082-015	E.C.	JCD
FAB	265-0082-032	M.E.	MLJS
SDH	285-0082-024	MFD	DJM
MODEL	GOLD LINE	SCALE	NONE
TITLE		SCHEMATIC GC-C2000 INTERFACE BD	
DWG NO.		285-0082-024	
SHEET		5	

ASSEMBLY #	BAND	C10	C13	C18	C36	C48	C11	R48	R49	R50	C63
263-0082-051	900-912	1.5pf	2.7pf	1pf	NONE	1.8pf	1.8pf	4.7	1K	1K	3.9pf
263-0082-052	912-924	1.5pf	2.7pf	1pf	NONE	1.5pf	1.8pf	4.7	1K	1K	3.9pf
263-0082-053	924-936	1.5pf	1.8pf	1.5pf	NONE	1.5pf	1.8pf	4.7	1K	1K	3.9pf
263-0082-054	936-948	1.5pf	1.5pf	1pf	NONE	0.5pf	1.5pf	4.7	1K	1K	2.2pf
263-0082-055	948-960	1.5pf	1.5pf	1pf	NONE	0.5pf	1.5pf	4.7	1K	1K	2.2pf
263-0082-062	929-941	1.8pf	1.8pf	1pf	NONE	NONE	3.3pf	4.7	1K	1K	3.9pf
263-0082-065	924-936	1.5pf	1.8pf	1.5pf	NONE	1.5pf	1.8pf	10	430	430	3.9pf
263-0082-066	936-948	1.5pf	1.5pf	1pf	NONE	0.5pf	1.5pf	15	301	301	2.2pf
263-0082-067	948-960	1.5pf	1.5pf	1pf	NONE	0.5pf	1.5pf	15	301	301	2.2pf
263-0082-068	929-941	1.8pf	1.8pf	1pf	NONE	NONE	3.3pf	15	301	301	3.9pf
263-0082-069	924-936	1.5pf	1.8pf	1.5pf	NONE	1.5pf	1.8pf	121	75	75	3.9pf
263-0082-070	936-948	1.5pf	1.5pf	1pf	NONE	0.5pf	1.5pf	121	75	75	2.2pf
263-0082-071	948-960	1.5pf	1.5pf	1pf	NONE	0.5pf	1.5pf	121	75	75	2.2pf
263-0082-072	929-941	1.8pf	1.8pf	1pf	NONE	NONE	3.3pf	121	75	75	3.9pf



1. UNLESS OTHERWISE NOTED, ALL RESISTORS ARE IN OHMS, 1/8W, 1%.
 2. * DENOTES PARTS NOT NORMALLY USED.

AB	WA3679	CHANGE THE VALUES OF C18 AND C48	DAF	3/99
AA	Z962	CHANGE THE VALUES OF R38 & R39	DAF	10/98
Z	12458	CHANGE THE VALUES OF R48 & R49	RMR	08/97
Y	12356	CHANGED VALUES OF C63, R30 & R43	RMR	05/97
X	12071	VALUE CHANGES FOR R18, R19 AND R20	TSW	02/97
W	12010	ADDED C70	JPP	01-97
V	12009	ADDED C63 TO FREQUENCY CHART	JPP	01-97
U	11869	ADDED TO FREQUENCY CHART	JPP	01-97
T	11776	ADD C64	RMR	10/96
S	11731	c20 was 3.9pf	RWS	10/96
R	11699	CHANGED VALUES OF R48, R49, R50 ON MATRIX	RMR	9/96
Q	11692	ADD ASSY 068 TO MATRIX, CHANGE VALUES OF R60&61	RMR	9/96
P	11326	REV R45	RWS	4/96
N	11306	REV R63	RWS	4/96
M	11286	REVISED FREQ CHART	RWS	4/96
L	11150	REV R59, R60, R61	RWS	3/96
K	11124	REV. FREQ. CHART FOR 263-0082-062 C48	RWS	3/96

J	11070	C45 WAS 5.6pf	RWS	2/96
H	10898	ADDED FREQ. CHART FOR 263-0082-062	RWS	1/96
G	10892	CHANGED VALUE OF C13 FOR 263-0082-052	MAD	11/95
F	10837	CHANGED VALUE OF R48, R49, R50 & R39	MAD	11/95
E	10835	CHANGED VALUE OF C13 FOR 263-0082-051	MAD	11/95
D	10163	ADDED * TO C62	MAD	11/95
C	10638	CHANGED VALUE OF R48, R49, & R50	MAD	11/95
B	10288	ADD C63, CHG VALUE OF R68, R69, R30, R43	JPP	5/95
A	10272	FINAL RELEASE	JPP	04/95

Glenayre ELECTRONICS

QUINCY OPERATIONS ONE QUINCY WAY
 QUINCY, IL 62301
 FAX 217-223-8261 217-223-2611 TELEX 40-4580

THIS DRAWING CONTAINS PROPRIETARY DATA OF GLENAYRE ELECTRONICS. NO DISSEMINATION, REPRODUCTION OR USE OF ANY PART HEREOF FOR UNAUTHORIZED PURPOSES WITHOUT THE WRITTEN PERMISSION OF GLENAYRE ELECTRONICS.

DR BY: JIM FARIS DATE: 01-15-95
 E.E. MLD
 F.A.B. 25-40082-051-FAB
 S.K.S.
 SDH 2850082029-SD
 HFD

TITLE: PCBC, SCH
 900 MHz VCO/RFAMP2

DWG NO: 2850082029-SD 1 SHEET 1