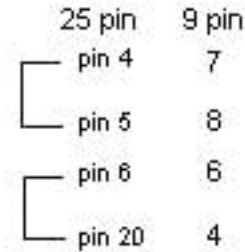
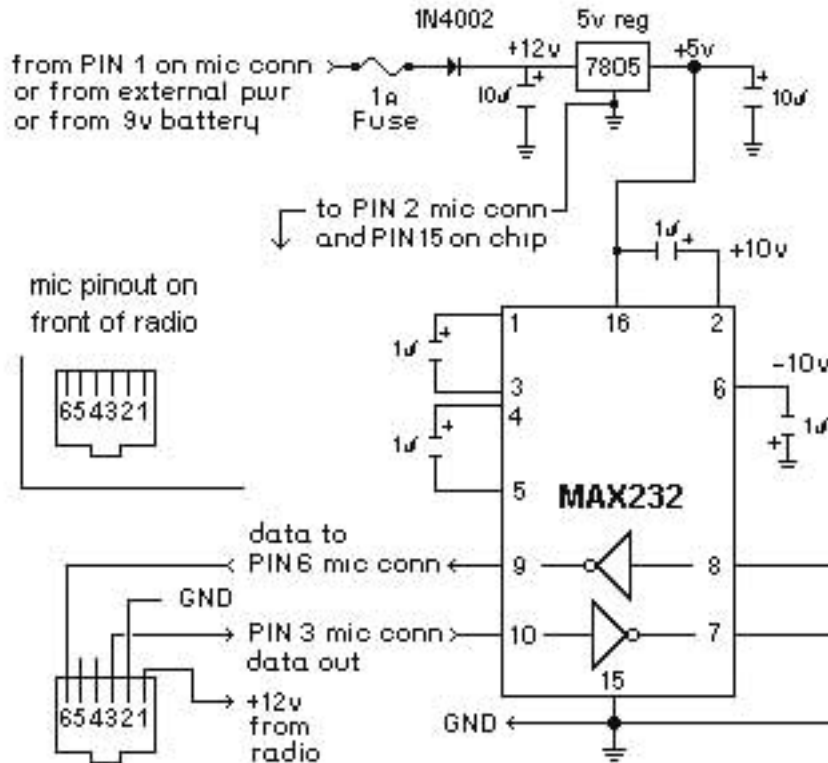


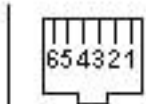
PROGRAMMER FOR KENWOOD TWO-WAY RADIO'S

Designed by: Craig Clark N5XNQ
 cpclark@pca.net
 Added missing cap pin 2 to 16
 10-29-02 A. Bross - KC7GF



Com port

mic pinout on front of radio



data to
PIN 6 mic conn
GND
PIN 3 mic conn
data out
+12v
from
radio

Prog plug viewed
from cable side

- 1 - SB (+12v)
- 2 - PTT GND
- 3 - PTT
- 4 - MIC GND
- 5 - MIC
- 6 - HOOK

Note that jumpers on the 25 pin connector (4 to 5 and 6 to 20) may have to be in place for this programmer to be used on newer radios and with newer programs.

The 7805 can be replaced with the low power 78L05.

Some radios supply power from pin 1 on the mic connector.

If power is not present the internal fuse may be blown.

A 9v battery or +12 supply can be connected to the input of the 7805 to power the interface.

Don't forget to fuse and/or diode isolate the power lead.

Portables

Layout of programming cable for portables that use two pin microphone connector. Can be built from two separate plugs but both must be stereo and fit down into plug recesses.

