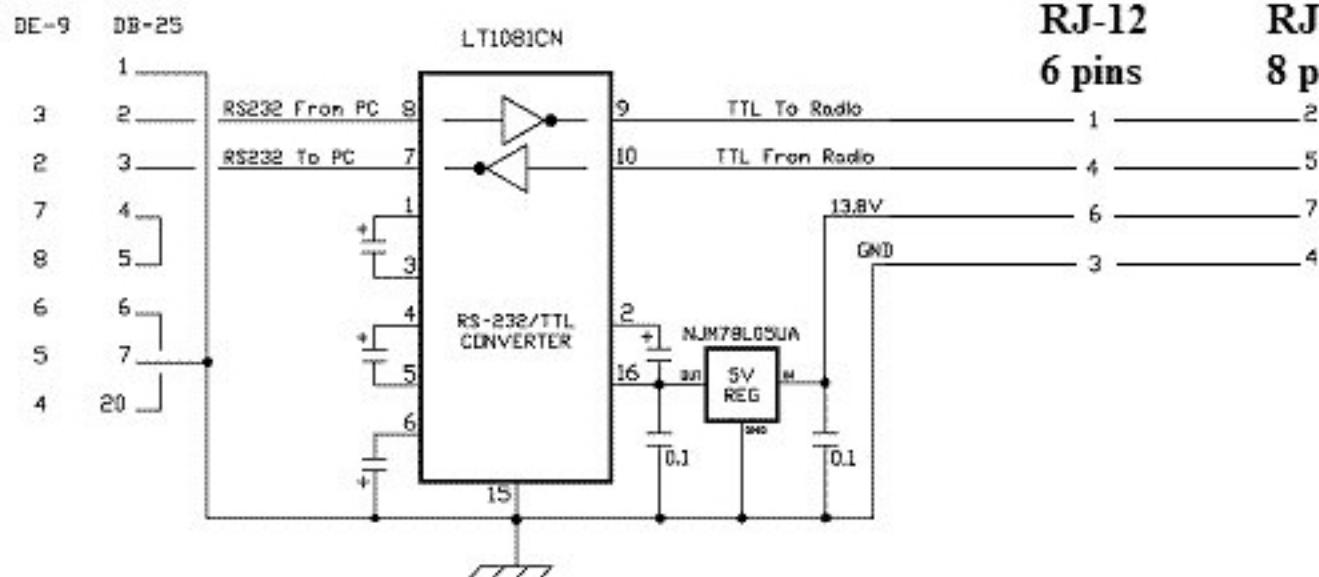


Kenwood KPG-4 and KPG-46 Programming cable

KPG-4
RJ-12
6 pins

KPG-46
RJ-45
8 pins



NOTES:

1. Connector or IC pins that are not shown are not used.
2. MAX232CPE can be substituted for the LT1081CN.
3. All four electrolytic capacitors are 1.0 uF 16V. Note polarity!
4. RJ-45 pins are numbered left-to-right, facing the radio.