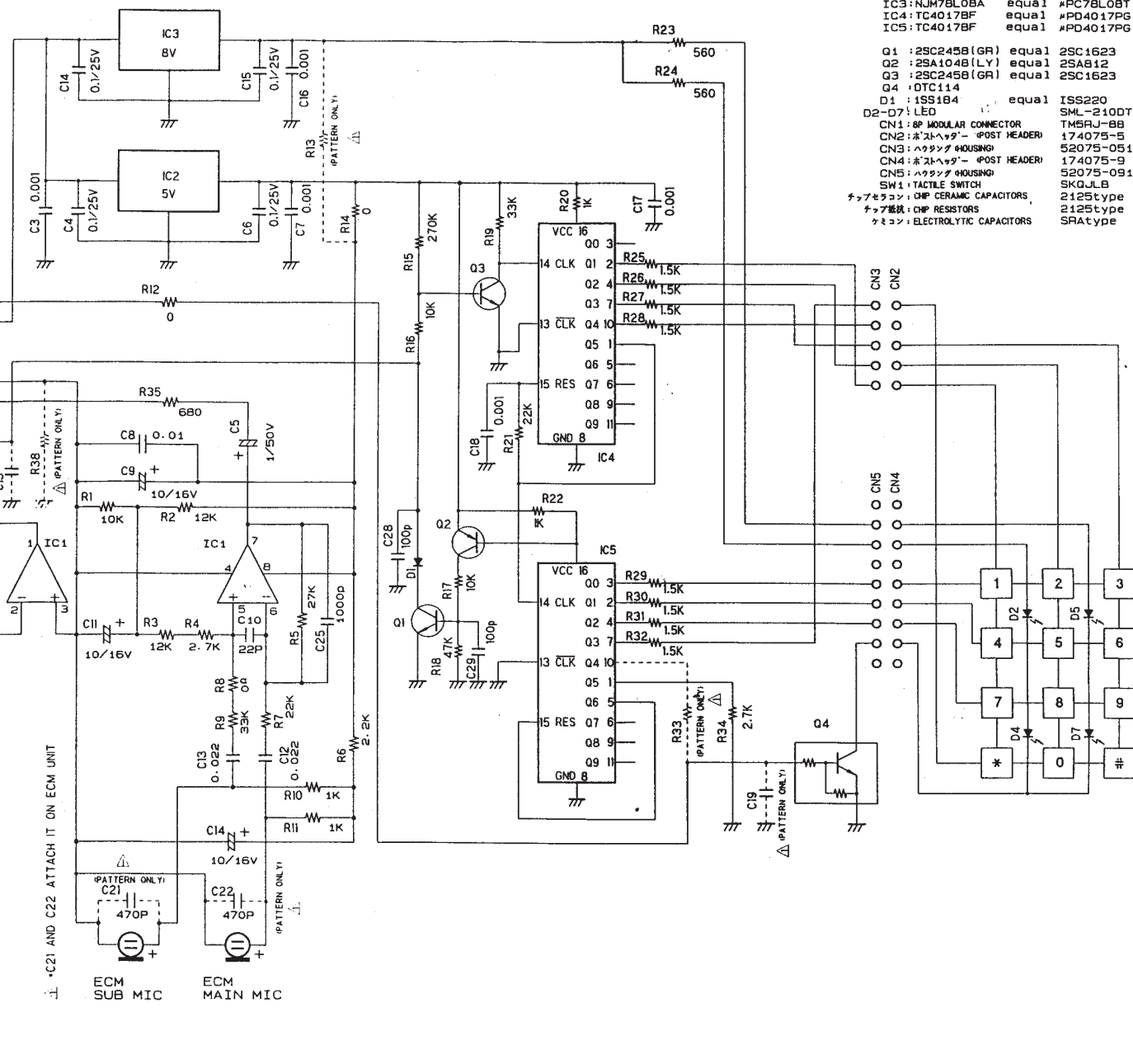
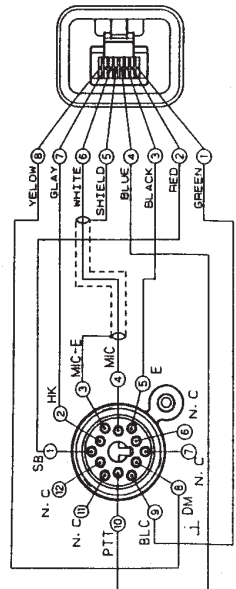
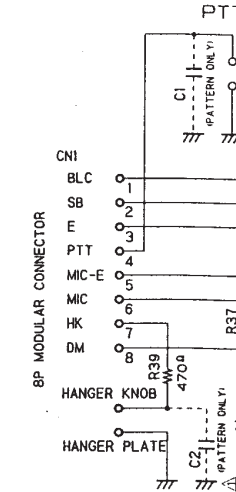
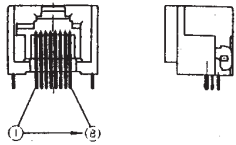


BP MODULAR CONNECTOR
PIN NO.



△ *C21 AND C22 ATTACH IT ON ECM UNIT

ECM SUB MIC
ECM MAIN MIC

- | | | | |
|---------------------------|-------|-------------------------|--------------------|
| IC1: NJM3404 | | | |
| IC2: NJM78L05A | equal | *PC78L05T | (NEC) |
| IC3: NJM78L08A | equal | *PC78L08T | (NEC) |
| IC4: TC4017BF | equal | *PD4017PG | (NEC) |
| IC5: TC4017BF | equal | *PD4017PG | (NEC) |
| Q1: 2SC2458(GR) | equal | 2SC1623 | (NEC) |
| Q2: 2SA1048(LY) | equal | 2SA812 | (NEC) |
| Q3: 2SC2458(GR) | equal | 2SC1623 | (NEC) |
| Q4: DTC114 | | | (ROHM) |
| D1: 1SS184 | equal | 1SS220 | (NEC) |
| D2-D7: LED | | SML-2100T | (ROHM) |
| CN1: BP MODULAR CONNECTOR | | TMSRJ-8B | (HIROSE) |
| CN2: 8ピンヘッダ | | 174075-5 | (AMP) |
| CN3: ハウジング | | 52075-0510 | (MOLEX) |
| CN4: 8ピンヘッダ | | 174075-9 | (AMP) |
| CN5: ハウジング | | 52075-0910 | (MOLEX) |
| SW1: TACTILE SWITCH | | SKQJLB | (ALPS) |
| チップコンデンサ | | CMP CERAMIC CAPACITORS | 2125t type |
| チップ抵抗 | | CMP RESISTORS | 2125t type |
| ケミコン | | ELECTROLYTIC CAPACITORS | 5RA type |
| | | | (NIPPON CHEMI CON) |