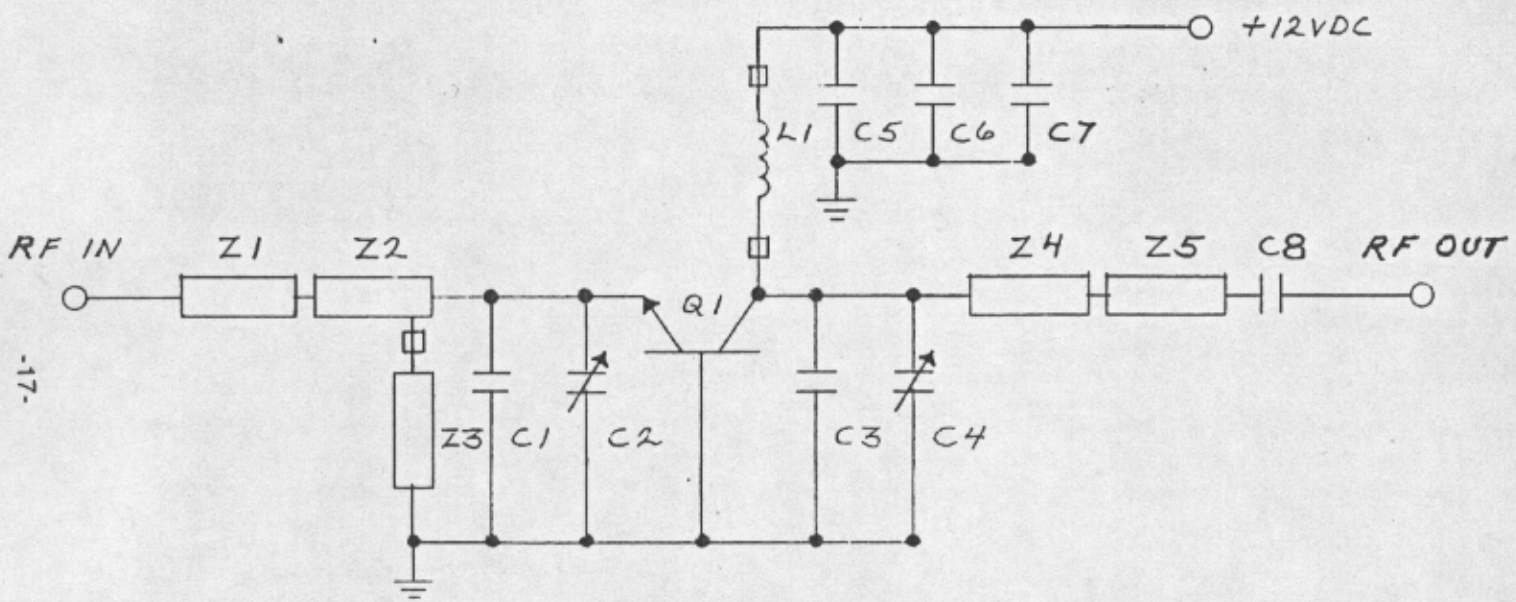


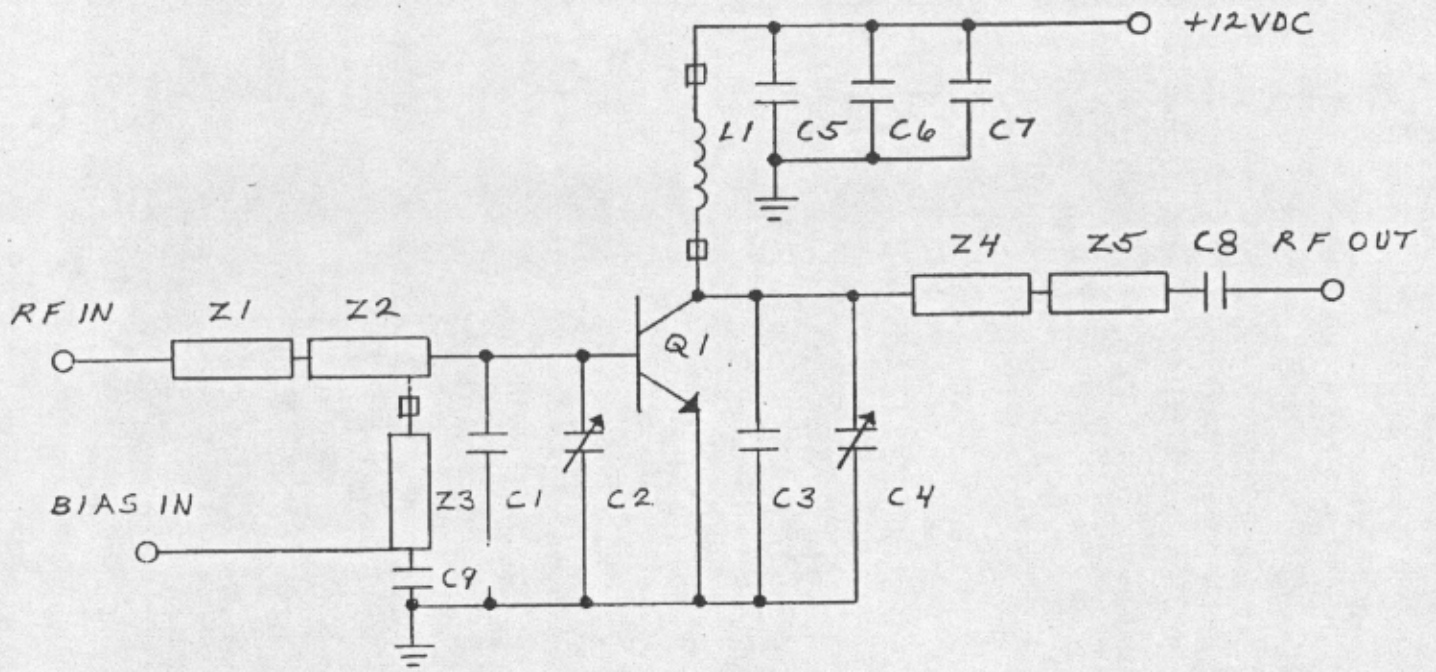
- Pads 1-6 are Connector J5
- (A) Used on PA8-1AB & PA8-1AC only
 - (B) 1K on PA8-1AB & PA8-1AC
 - (C) Not used on PA8-1AB or PA8-1AC

SCHEMATIC
800 MHZ SOLID STATE COR
 (Optional)



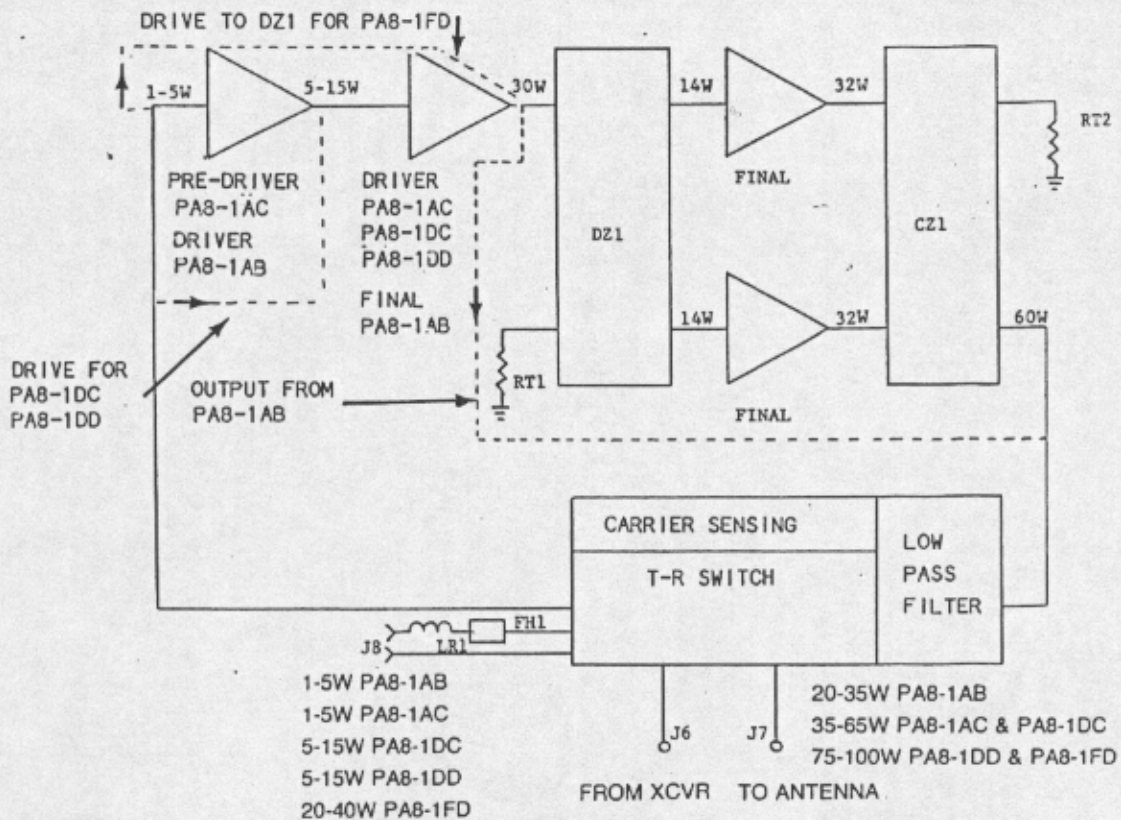
SCHEMATIC
POWER MODULE
PA8-1AB FINAL
PA8-1AC, PA8-1DC, PA8-1DD & PA8-1FD
DRIVER AND FINALS

-18-



SCHMATIC
POWER MODULE
PA8-1AB DRIVER
PA8-1AC PRE-DRIVER

-19-



BLOCK DIAGRAM

ELECTRICAL PARTS LIST
800 MHZ SOLID STATE COR

Ref. Symbol	TPL Part No.	Description
PCB	100771	Printed Circuit Board
Q1	B2-100	2N2222
Q2	B2-149	2N2907
D1, D2, D3, D4	B3-115	MA47266 PIN Diodes
D5, D6	B3-110	1N4178 (Note C)
D7*, D8	B3-112	MR751
L1, L2	E1-111	.22uH Chokes
Z1, Z2, Z3, Z4, Z5, Z6		Microstripline
Z7		Directional Coupler Stripline
C1, C3, C4, C6, C8, C12)	A2-148	100Pf Chip (Notes E,F)
C2, C7, C14	A5-437	47 Pf Feedthrough
C16	A5-172	.001 Disc. Ceramic
C9, C10, C11	A5-708	1-10Pf Variable Johanson 5201
C5, C13	A2-172	1000Pf Chip
C15	A4-117	4.7uF 25V Electrolytic
R1	C1-140	47 Ohm 1/4W
R2, R3	C1-188	4.7K Ohm 1/4W
R4 (R7 PA8-1AC)	C1-172	1K Ohm 1/4W
R5	C1-212	47K Ohm 1/4W
R6 /	C1-185	3.9K Ohm 1/4W (Note A)
R7	C1-196	10K Ohm 1/4W (Note B)
R8, R9	C1-759A	300 Ohm 2W
R10*	C1-359	300 Ohm 1/2W
J1, J2, J3, J4 (Note D)	F1-122	Johnson R.F. Jacks, 142-0298-006
J5	F1-111	6PIN Molex Jack

* PA8-1AC and PA8-1AB
A. Not Used on PA8-1AC and PA8-1AB
B. 1K on PA8-1AC and PA8-1AB
C. D5 and D6 are MA4E2800, B3-118 on PA8-1AB and PA8-1AC
D. J2 and J3 are Johnson 142-0299-001, F1-124 on PA8-1AB
E. C6 and C8 are 100pf ATC, A2-191
F. C1, C3, C4, C6, C8, C12 are 100 pf ATC, A2-191 on PA8-1FD

ELECTRICAL PARTS LIST
800 MHZ POWER MODULE
MODELS: PA8-1AB, PA8-1AC
PA8-1DC, PA8-1DD, and PA8-1FD DRIVER AND FINALS

Ref. Symbol	TPL Part No.	Description
	100769	Printed Circuit Board
Q1,	B2-148 or 159	R.F. Transistor, Factory Select
L1		6T #24 with Ferrite Beads.
Z1, Z2, Z3, Z4, Z5		Microstriplines
C1	A1-101A	10Pf Semco Mini Clad
C9	A1-100A	100 pf or 15 pf Semco Mini Clad
C3	A1-102A	15Pf Semco Mini Clad
C4, C2	A5-708	1-10Pf Variable Johanson 5201
C5	A1-109A	100Pf Semco Mini Clad
C6	A5-707	.1 mt Blue Dot
C7	A2-148	100 Pf Chip

ELECTRICAL PARTS LIST
800 MHZ POWER MODULE
MODEL: PA8-1AC PRE-DRIVER
AND PA8-1AB DRIVER

Ref. Symbol	TPL Part No.	Description
	100769	Printed Circuit Board
Q1	B2-152	R.F. Transistor, Factory Select
L1		6T #24 with Ferrite Beads
Z1, Z2, Z3, Z4, Z5		Microstriplines
C1	A1-101A	10Pf Semco Mini Clad
C2, C4	A5-708	1-10Pf Variable Johanson 5201
C3	A1-102A	15Pf Semco Mini Clad
C5	A1-109A	100Pf Semco Mini Clad
C6	A5-707	.1mt Blue Dot
C7, C9	A2-148	100Pf Chip
C8	A1-100A	7Pf Semco Mini Clad