

**ORION™
MECHANICAL DRAWINGS AND PARTS LISTS**

TABLE OF CONTENTS

	<i>Page</i>
INTRODUCTION	2
LOCAL TYPE MOBILE RADIO (SCAN LOW POWER).....	3
LOCAL TYPE MOBILE RADIO (SCAN HIGH POWER).....	4
LOCAL TYPE MOBILE RADIO (SYSTEM LOW POWER).....	5
LOCAL TYPE MOBILE RADIO (SYSTEM HIGH POWER).....	6
REMOTE TYPE CONTROL UNIT (SCAN)	7
REMOTE TYPE CONTROL UNIT (SYSTEM).....	8
REMOTE TYPE MOBILE RADIO (LOW BAND).....	9
REMOTE TYPE MOBILE RADIO (LOW POWER).....	10
REMOTE TYPE MOBILE RADIO (HIGH POWER).....	11
EUROPEAN FRONT MOUNT TYPE MOBILE RADIO (SCAN)	12
EUROPEAN CASSETTE MOUNT TYPE MOBILE RADIO (SCAN)	13
EUROPEAN FRONT MOUNT TYPE MOBILE RADIO (SYSTEM).....	14
EUROPEAN CASSETTE MOUNT TYPE MOBILE RADIO (SYSTEM).....	15
LOCAL TYPE CONTROL UNIT (SCAN).....	16
LOCAL TYPE CONTROL UNIT (SYSTEM)	17
REMOTE TYPE CONTROL UNIT (SCAN)	18
REMOTE TYPE CONTROL UNIT (SYSTEM).....	19
CONTROL UNIT - TORQUE SETTINGS AND SEQUENCE SCAN (LOCAL)	20
CONTROL UNIT - TORQUE SETTINGS AND SEQUENCE SCAN (REMOTE).....	21
CONTROL UNIT - TORQUE SETTINGS AND SEQUENCE SYSTEM (LOCAL).....	22
CONTROL UNIT - TORQUE SETTINGS AND SEQUENCE SYSTEM (REMOTE).....	23
LOW BAND (EXPLODED VIEW AND PARTS LIST).....	24

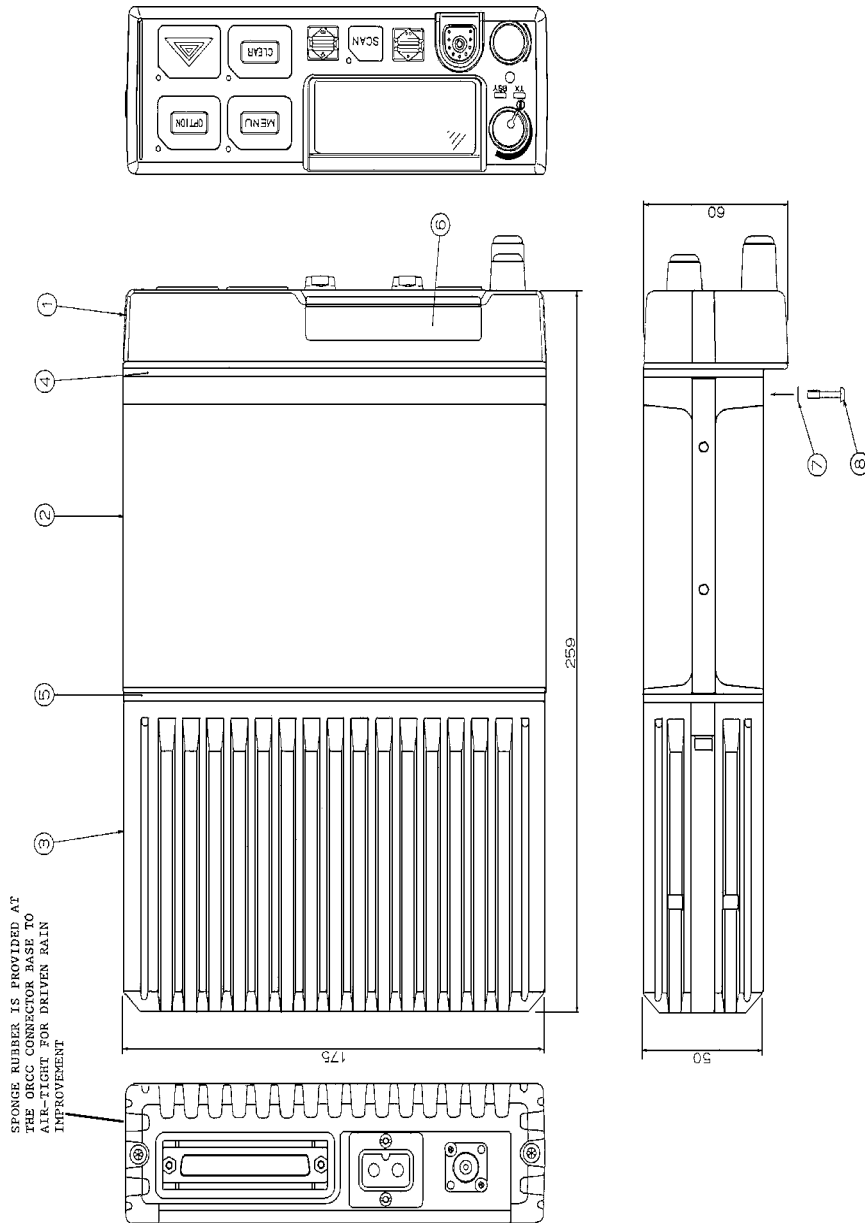
Continued

Continued

TABLE OF CONTENTS	
	<i>Page</i>
LOW BAND - TORQUE SETTING AND SEQUENCE	26
SYNTHESIZER/RECEIVER/EXCITER (VHF)	29
SYNTHESIZER/RECEIVER/EXCITER (UHF, 800 MHz & 900 MHz)	30
SYNTHESIZER/RECEIVER/EXCITER (EXPLODED VIEW)	31
SYNTHESIZER/RECEIVER/EXCITER - TORQUE SETTINGS AND SEQUENCE	32
POWER AMPLIFIER UNIT (VHF)	33
POWER AMPLIFIER UNIT - TORQUE SETTINGS AND SEQUENCE (VHF)	34
POWER AMPLIFIER UNIT (UHF, 800 MHz & 900 MHz, HIGH POWER)	35
POWER AMPLIFIER UNIT (800 MHz & 900 MHz, LOW POWER)	36
POWER AMPLIFIER UNIT - TORQUE SETTINGS AND SEQUENCE (UHF, 800 MHz & 900 MHz)	37
OPTION NQZ-4881 MECHANICAL PARTS	39
MISCELLANEOUS PARTS	40
TRAY MOUNT BRACKET WITH HARDWARE KIT	41
FRONT MOUNT BRACKET WITH HARDWARE KIT	42
RAI MOUNTING BRACKET WITH HARDWARE KIT	43
CASSETTE MOUNT WITH HARDWARE KIT	44

INTRODUCTION

This maintenance manual provides Assembly Diagrams including exploded views and parts lists for all mechanical assemblies and parts associated with the **ORION** mobile radio (Low Band, VHF, UHF, 800 MHz & 900 MHz). Also included in this manual are Torque Settings and the Sequence to make these settings for the Control Units, Transmitter/Receiver Modules (TXRX) and Power Amplifier Units.

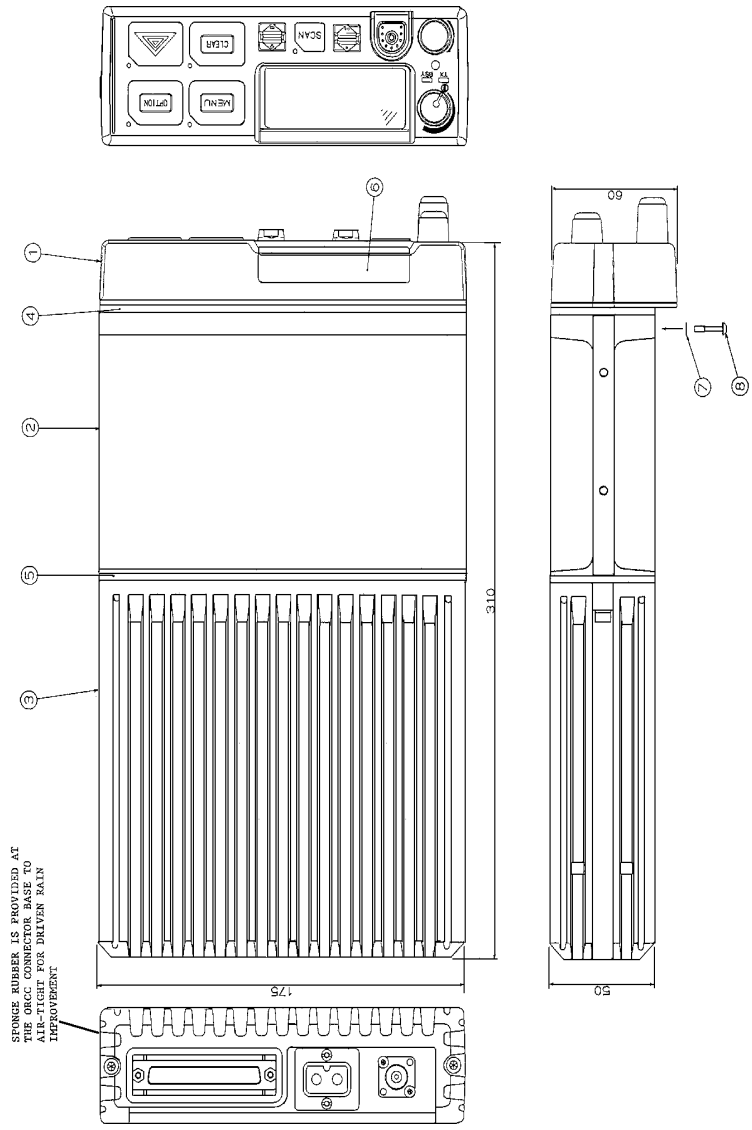


VHF (136-174 MHz)
UHF (403-512 MHz)
800 MHz
900 MHz

Only

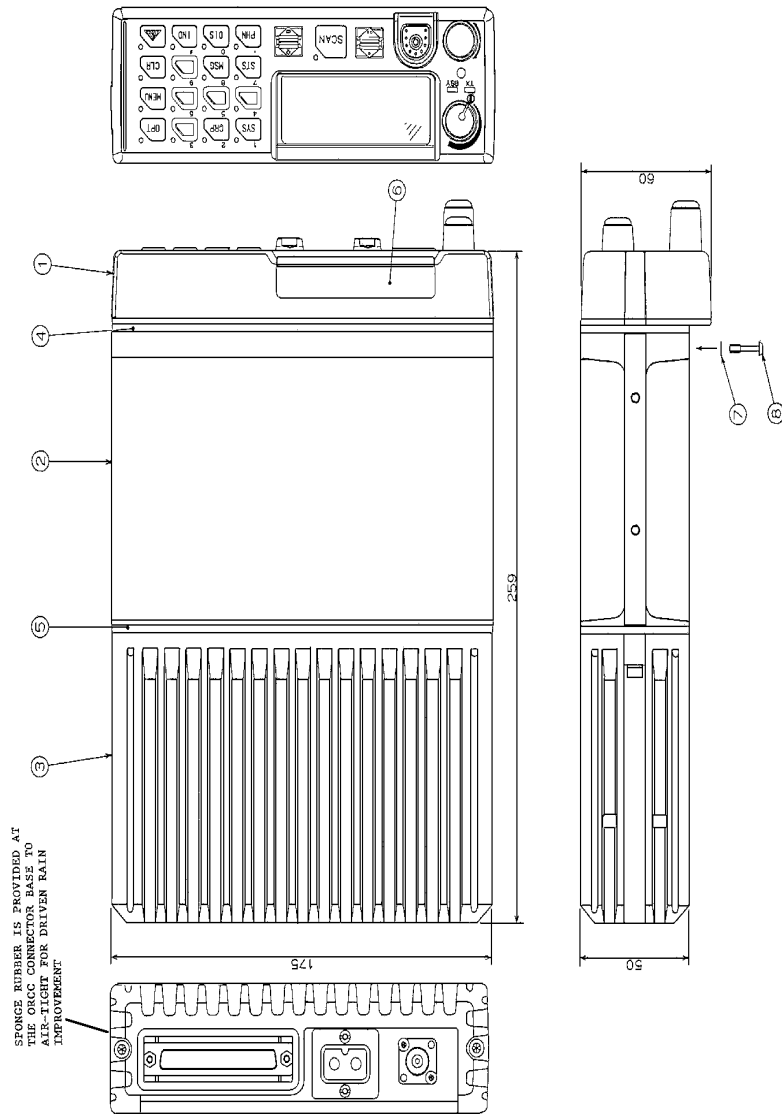
ITEM	PART NUMBER	DESCRIPTION
1	344A4581P1	CONTROL UNIT
2	344A4577P1/P2	TXRX (VHF) (SYNTH/RX/EX)
	344A4578P1-P4	TXRX (UHF) (SYNTH/RX/EX)
	344A4579P1	TXRX (800-256K) (SYNTH/RX/EX)
	344A4580P1	TXRX (900-256K) (SYNTH/RX/EX)
	344A4578P101-P104	TXRX (UHF-DB) (SYNTH/RX/EX)
	344A4579P101	TXRX (800-512K) (SYNTH/RX/EX)
	344A4580P101	TXRX (900-512K) (SYNTH/RX/EX)
	344A4577P101-P102	TXRX (VHF-DB) (SYNTH/RX/EX)
	344A4572P3/P4	POWER MODULE (VHF) (POWER UNIT)
	344A4573P3/P4/P5	POWER MODULE (UHF) (POWER UNIT)
3	344A4574P1	POWER MODULE (800) (POWER UNIT)
	344A4575P1	POWER MODULE (900) (POWER UNIT)
	19B802611P2	GASKET
	19B802611P1	GASKET
6	19B802621P1	NAME PLATE
7	344A4756P1	WASHER
8	344A4700P2	SCREW

LOCAL TYPE MOBILE RADIO (SCAN LOW POWER)



VHF (136-174 MHz)
 UHF (403-512 MHz)
 800 MHz
 900 MHz

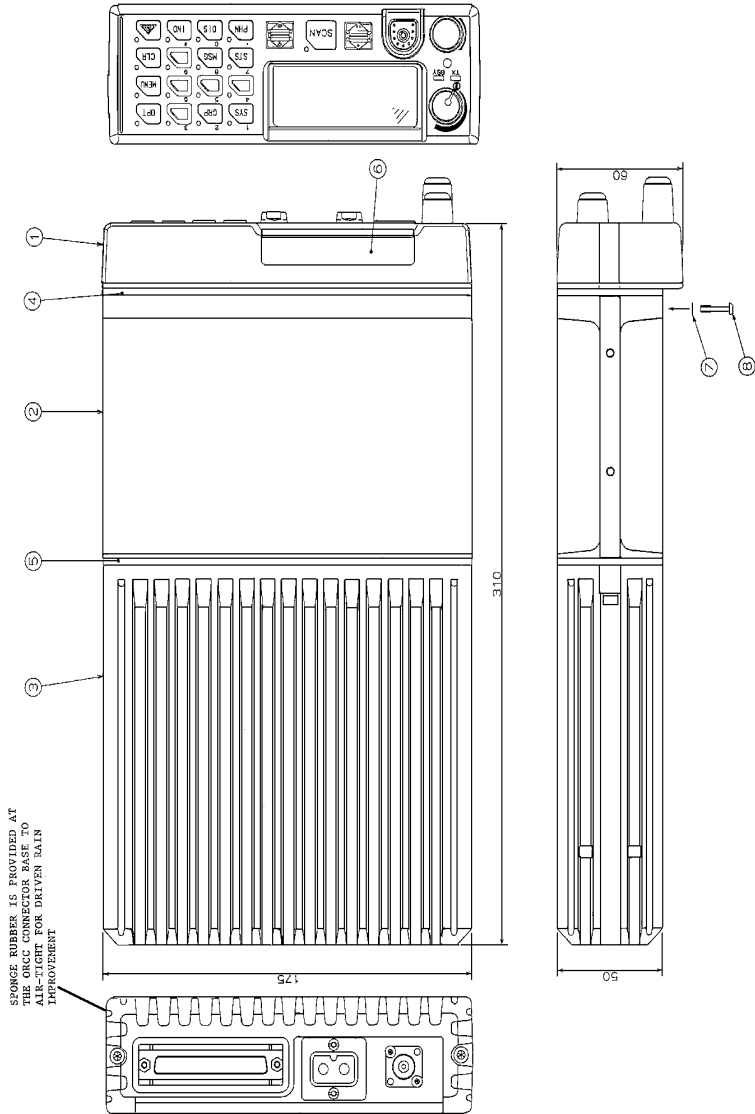
ITEM	PART NUMBER	DESCRIPTION
1	344A4581P1	CONTROL UNIT
2	344A4577P1/P2	TXRX (VHF) (SYNTH/RX/EX)
	344A4578P1-P4	TXRX (UHF) (SYNTH/RX/EX)
	344A4577P101-P102	TXRX (VHF-DB) (SYNTH/RX/EX)
	344A4578P101-P104	TXRX (UHF-DB) (SYNTH/RX/EX)
	344A4579P101	TXRX (800-512K) (SYNTH/RX/EX)
	344A4580P101	TXRX (900-512K) (SYNTH/RX/EX)
	344A4579P1	TXRX (800-256K) (SYNTH/RX/EX)
	344A4580P1	TXRX (900-256K) (SYNTH/RX/EX)
3	344A4572P5/P6	POWER MODULE (VHF) (POWER UNIT)
	344A4573P6/P7/P8	POWER MODULE (UHF) (POWER UNIT)
	344A4574P2	POWER MODULE (800) (POWER UNIT)
	344A4575P2	POWER MODULE (900) (POWER UNIT)
4	19B802611P2	GASKET
5	19B802611P1	GASKET
6	19B802621P1	NAME PLATE
7	344A4756P1	WASHER
8	344A4700P2	SCREW



VHF (136-174 MHz)
 UHF (403-512 MHz)
 800 MHz
 900 MHz

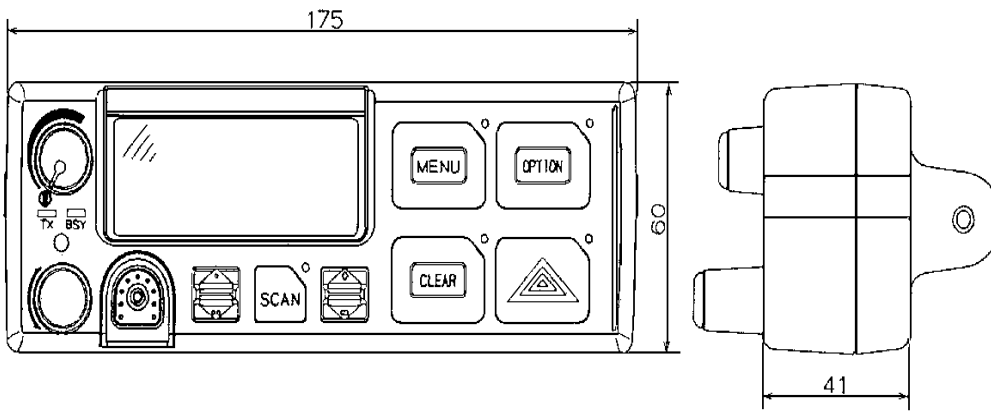
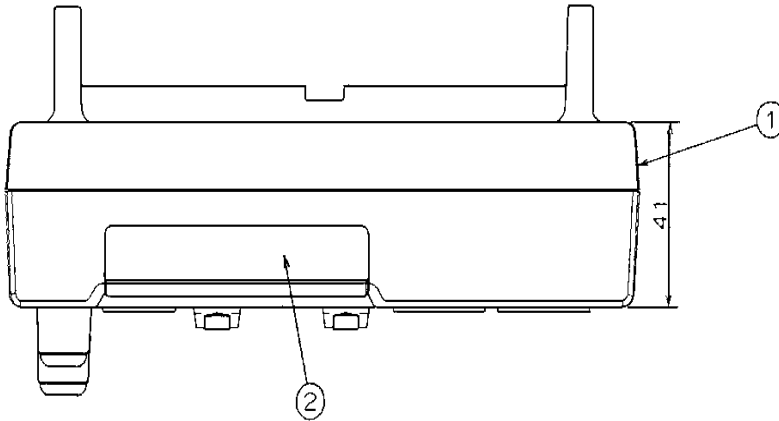
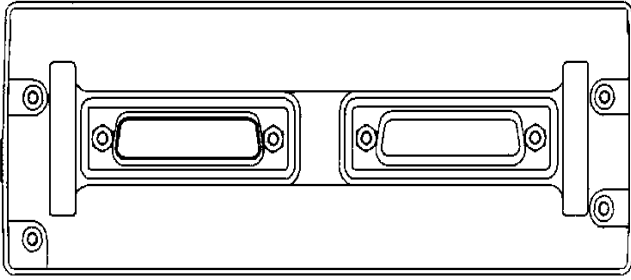
} Only

ITEM	PART NUMBER	DESCRIPTION
1	344A4581P3	CONTROL UNIT
2	344A4577P1/P2	TXRX (VHF) (SYNTH/RX/EX)
	344A4578P1-P4	TXRX (UHF) (SYNTH/RX/EX)
	344A4579P1	TXRX (800-256K) (SYNTH/RX/EX)
	344A4580P1	TXRX (900-256K) (SYNTH/RX/EX)
	344A4578P101-P104	TXRX (UHF-DB) (SYNTH/RX/EX)
	344A4579P101	TXRX (800-512K) (SYNTH/RX/EX)
	344A4580P101	TXRX (900-512K) (SYNTH/RX/EX)
	344A4577P101-P102	TXRX (VHF-DB) (SYNTH/RX/EX)
	344A4572P3/P4	POWER MODULE (VHF) (POWER UNIT)
	344A4573P3/P4/P5	POWER MODULE (UHF) (POWER UNIT)
3	344A4574P1	POWER MODULE (800) (POWER UNIT)
	344A4575P1	POWER MODULE (900) (POWER UNIT)
	19B802611P2	GASKET
	19B802611P1	GASKET
6	19B802621P1	NAME PLATE
7	344A4756P1	WASHER
8	344A4700P2	SCREW



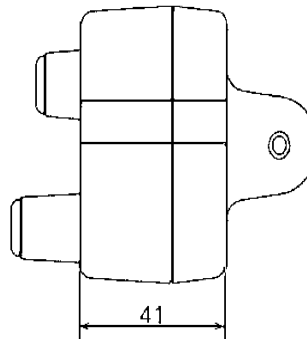
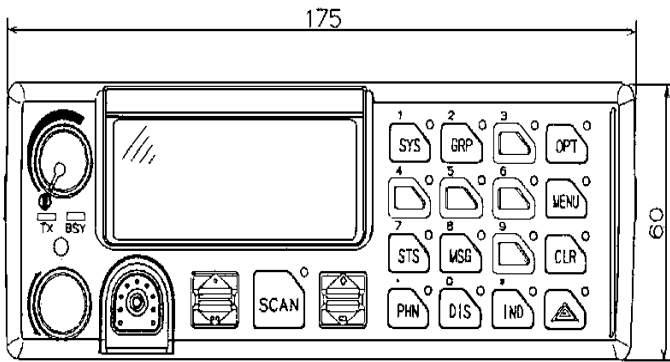
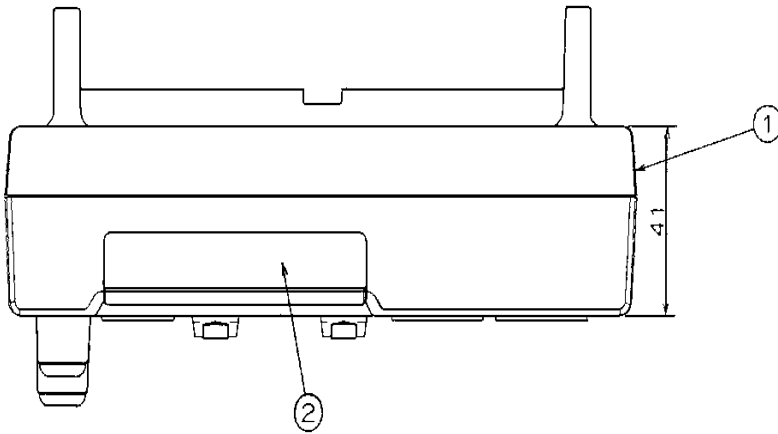
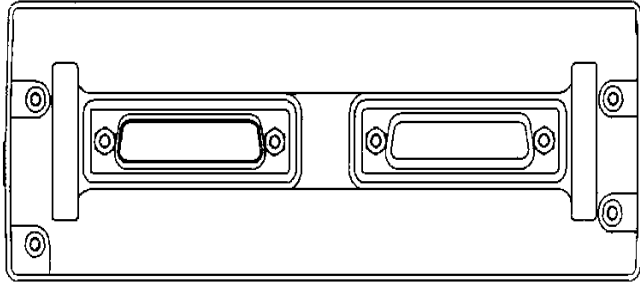
VHF (136-174 MHz)
UHF (403-512 MHz)
800 MHz
900 MHz

ITEM	PART NUMBER	DESCRIPTION
1	344A4581P3	CONTROL UNIT
2	344A4577P1-P2	TXRX (VHF) (SYNTH/RX/EX)
	344A4578P1-P4	TXRX (UHF) (SYNTH/RX/EX)
	344A4577P101-P102	TXRX (VHF-DB) (SYNTH/RX/EX)
	344A4578P101-P104	TXRX (UHF-DB) (SYNTH/RX/EX)
	344A4579P101	TXRX (800-512K) (SYNTH/RX/EX)
	344A4580P101	TXRX (900-512K) (SYNTH/RX/EX)
	344A4579P1	TXRX (800-256K) (SYNTH/RX/EX)
	344A4580P1	TXRX (900-256K) (SYNTH/RX/EX)
3	344A4572P5/P6	POWER MODULE (VHF) (POWER UNIT)
	344A4573P6/P7/P8	POWER MODULE (UHF) (POWER UNIT)
	344A4574P2	POWER MODULE (800) (POWER UNIT)
	344A4575P2	POWER MODULE (900) (POWER UNIT)
4	19B802611P2	GASKET
5	19B802611P1	GASKET
6	19B802621P1	NAME PLATE
7	344A4756P1	WASHER
8	344A4700P2	SCREW



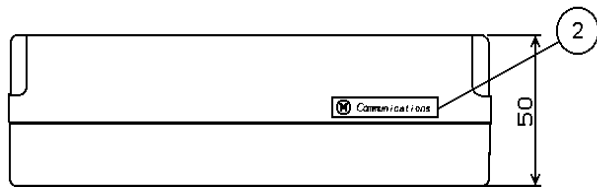
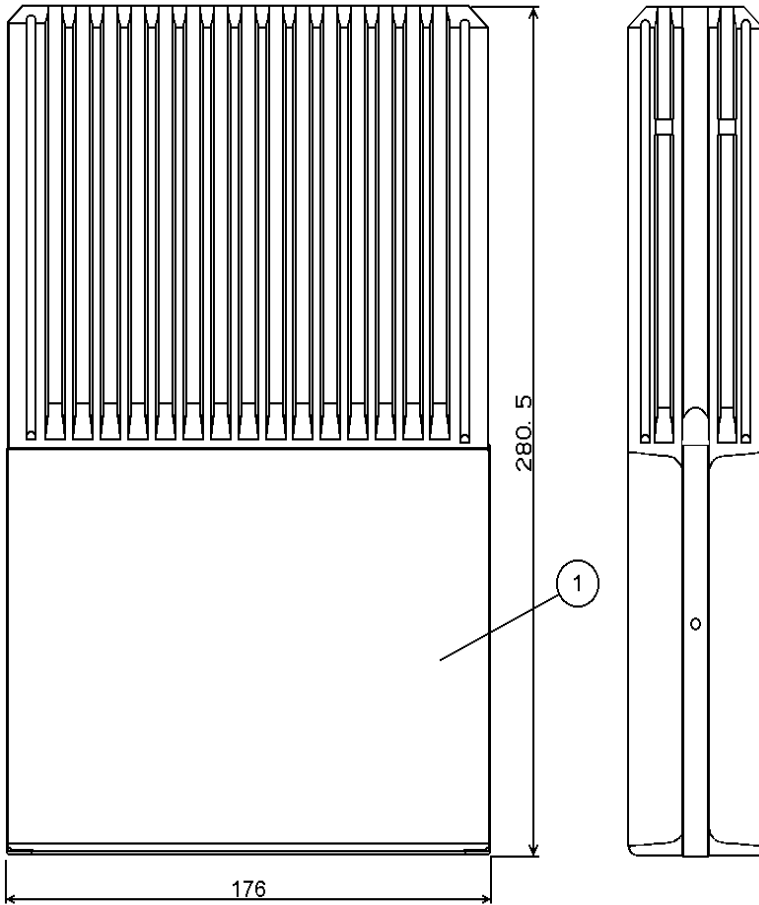
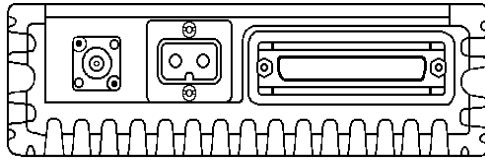
ITEM	PART NUMBER	DESCRIPTION
1	344A4581P2	CONTROL UNIT
2	19B802621P1	NAME PLATE

REMOTE TYPE CONTROL UNIT (SCAN)



ITEM	PART NUMBER	DESCRIPTION
1	344A4581P4	CONTROL UNIT
2	19B802621P1	NAME PLATE

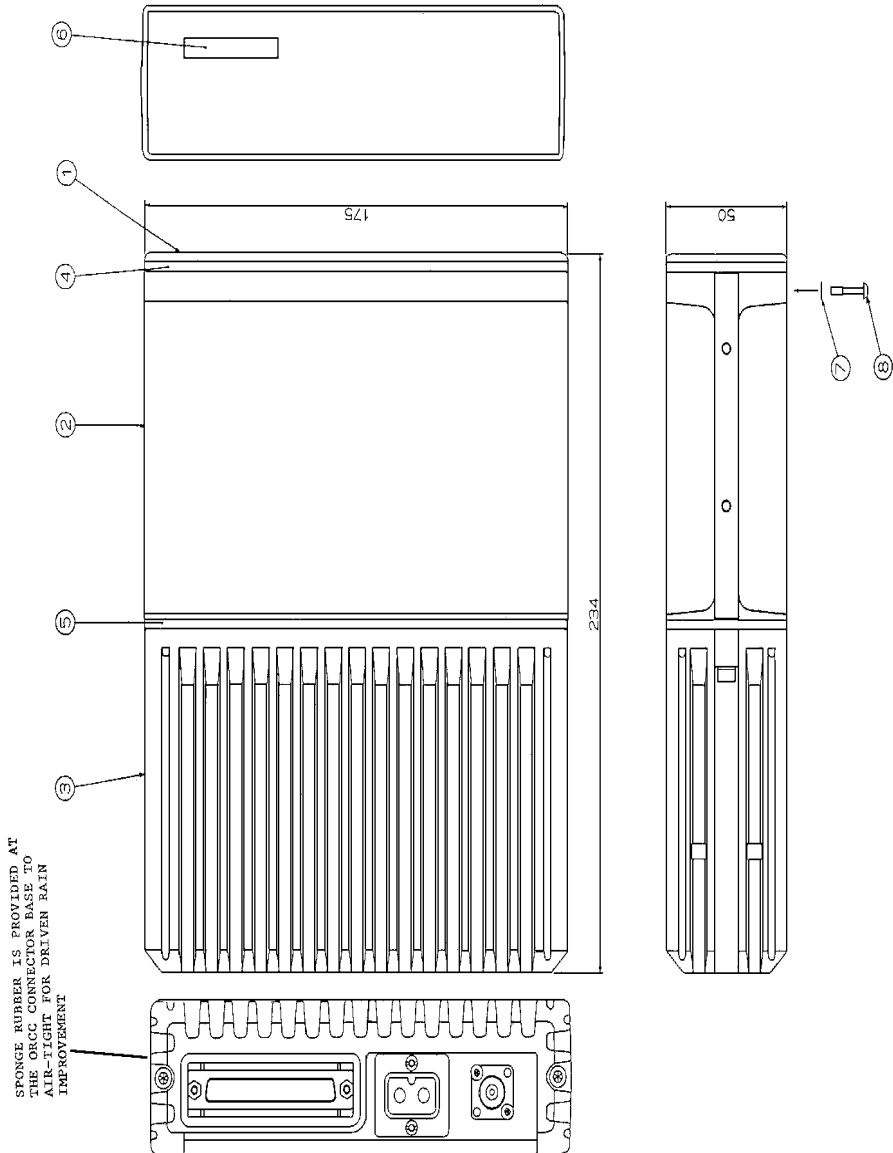
REMOTE TYPE CONTROL UNIT (SYSTEM)



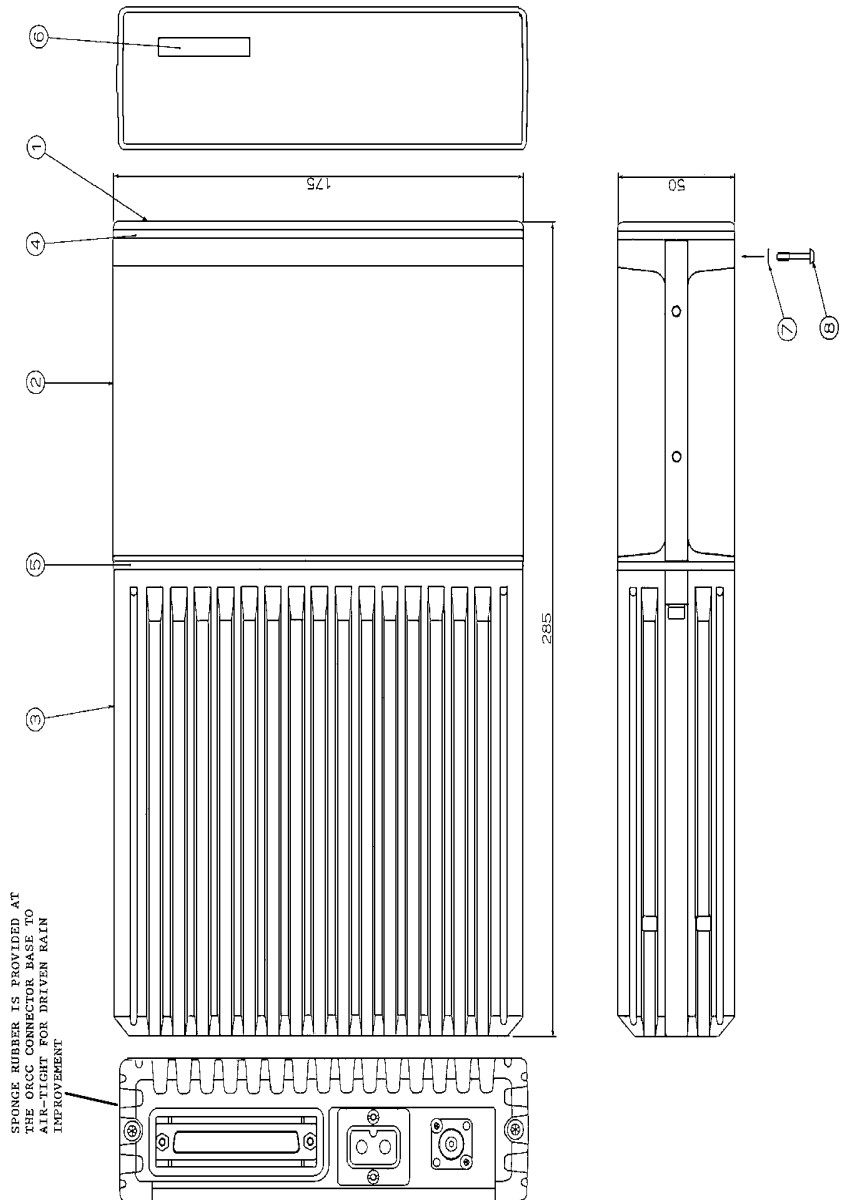
Low Band Only

ITEM	PART NUMBER	DESCRIPTION
1	344A4571P1-P4	RADIO UNIT
2	344A4757P1	NAME PLATE

REMOTE TYPE MOBILE RADIO (LOW BAND)

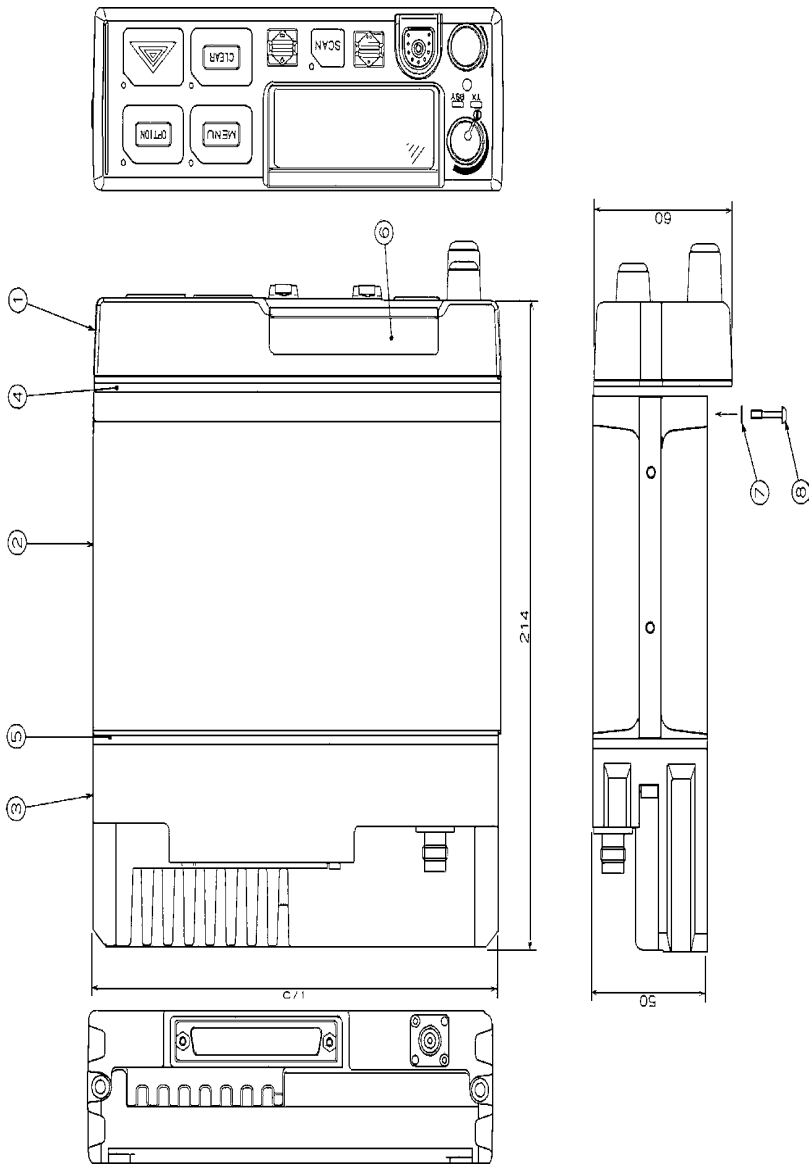


ITEM	PART NUMBER	DESCRIPTION
1	19B802671P1	FRONT COVER
2	344A4577P1/P2	TXRX (VHF) (SYNTH/RX/EX)
	344A4577P101-P102	TXRX (VHF-DB) (SYNTH/RX/EX)
	344A4578P101-P104	TXRX (UHF-DB) (SYNTH/RX/EX)
	344A4578P1-P4	TXRX (UHF) (SYNTH/RX/EX)
3	344A4572P3/P4	POWER MODULE (VHF) (POWER UNIT)
	344A4573P3/P4/P5	POWER MODULE (UHF) (POWER UNIT)
4	19B802611P2	GASKET
5	19B802611P1	GASKET
6	19B802621P1	NAME PLATE
7	344A4756P1	WASHER
8	344A4700P2	SCREW

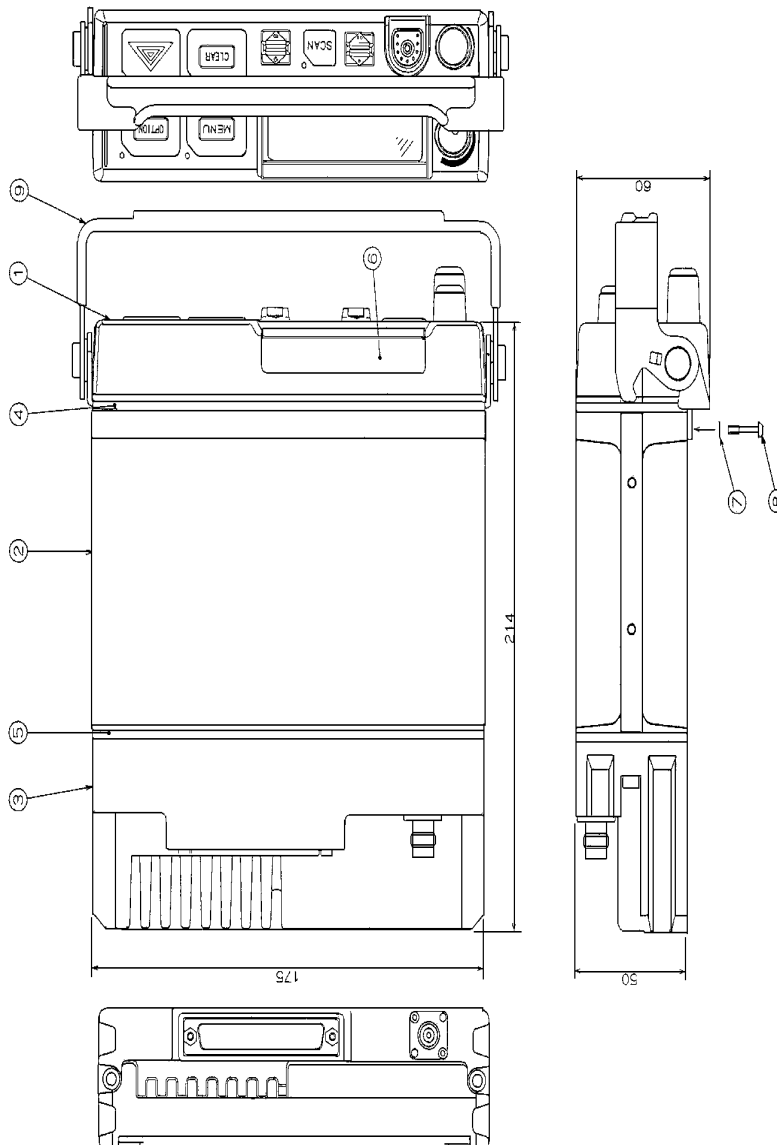


VHF (136-174 MHz)
 UHF (403-512 MHz) } Only

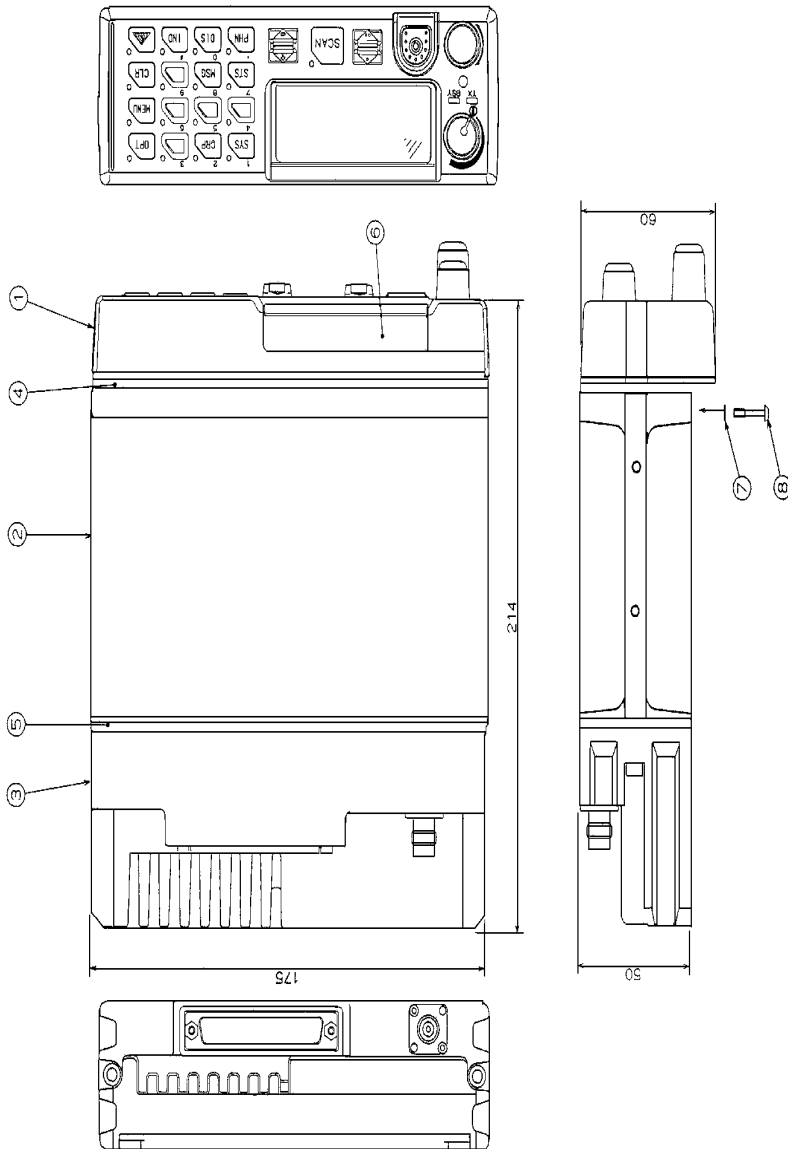
ITEM	PART NUMBER	DESCRIPTION
1	19B802671P1	FRONT COVER
2	344A4577P1/P2	TXRX (VHF) (SYNTH/RX/EX)
	344A4577P101-P102	TXRX (VHF-DB) (SYNTH/RX/EX)
	344A4578P101-P104	TXRX (UHF-DB) (SYNTH/RX/EX)
	344A4578P1-P4	TXRX (UHF) (SYNTH/RX/EX)
3	344A4572P5/P6	POWER MODULE (VHF) (POWER UNIT)
	344A4573P6/P7/P8	POWER MODULE (UHF) (POWER UNIT)
4	19B802611P2	GASKET
5	19B802611P1	GASKET
6	19B802621P1	NAME PLATE
7	344A4756P1	WASHER
8	344A4700P2	SCREW



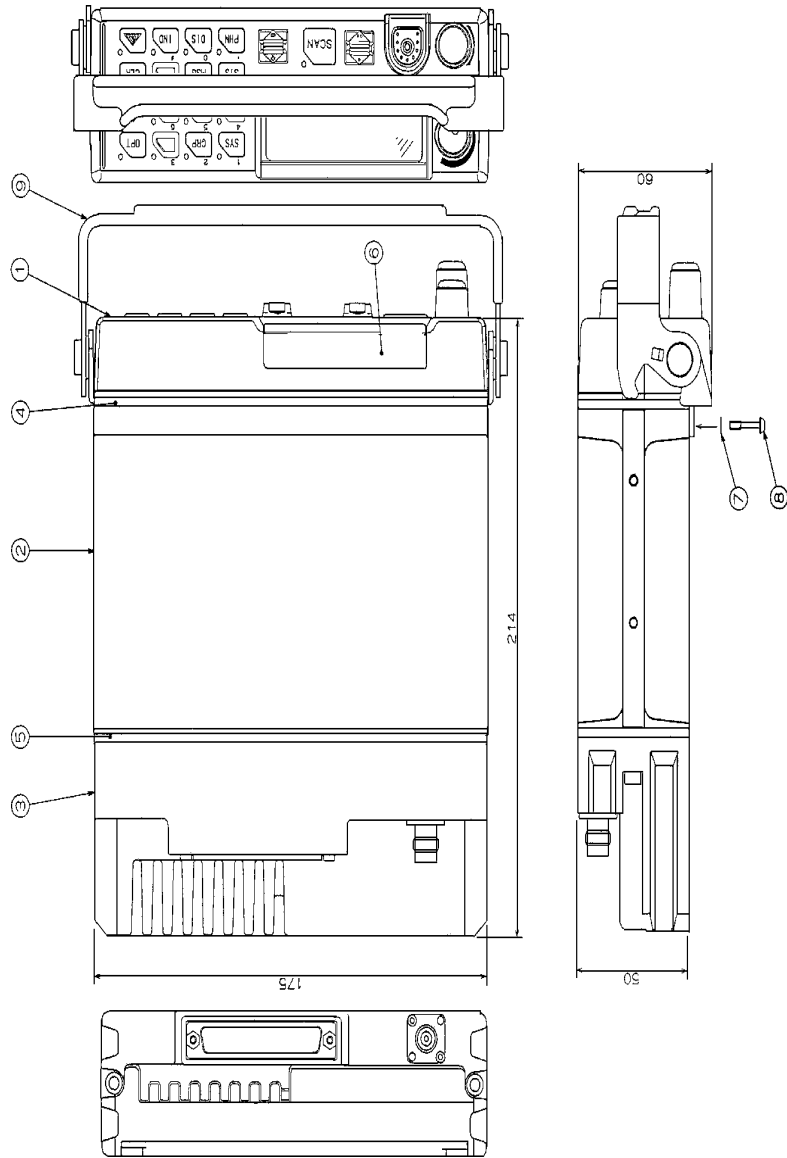
ITEM	PART NUMBER	DESCRIPTION
1	344A4581P1	CONTROL UNIT
2	344A4577P1/P2	TXRX (VHF) (SYNTH/RX/EX)
	344A4578P1-P4	TXRX (UHF) (SYNTH/RX/EX)
	344A4577P102	TXRX (UHF-DB) (SYNTH/RX/EX)
	344A4578P101/P102/P104	TXRX (UHF-DB) (SYNTH/RX/EX)
3	344A4572P1/P2	POWER MODULE (VHF) (POWER UNIT) 25 WATTS
	344A4573P1/P2/ P9	POWER MODULE (UHF) (POWER UNIT) 20 WATTS
4	19B802611P2	GASKET
5	19B802611P1	GASKET
6	19B802621P1	NAME PLATE
7	344A4756P1	WASHER
8	344A4700P2	SCREW



ITEM	PART NUMBER	DESCRIPTION
1	344A4581P1	CONTROL UNIT
2	344A4577P1/P2	TXRX (VHF) (SYNTH/RX/EX)
	344A4578P1-P4	TXRX (UHF) (SYNTH/RX/EX)
	344A4577P102	TXRX (UHF-DB) (SYNTH/RX/EX)
	344A4578P101/P102/P104	TXRX (UHF-DB) (SYNTH/RX/EX)
3	344A4572P1/P2	POWER MODULE (VHF) (POWER UNIT) 25 WATTS
	344A4573P1/P2/ P9	POWER MODULE (UHF) (POWER UNIT) 20 WATTS
4	19B802611P2	GASKET
5	19B802611P1	GASKET
6	19B802621P1	NAME PLATE
7	344A4756P1	WASHER
8	344A4700P2	SCREW
9		HANDLE KIT

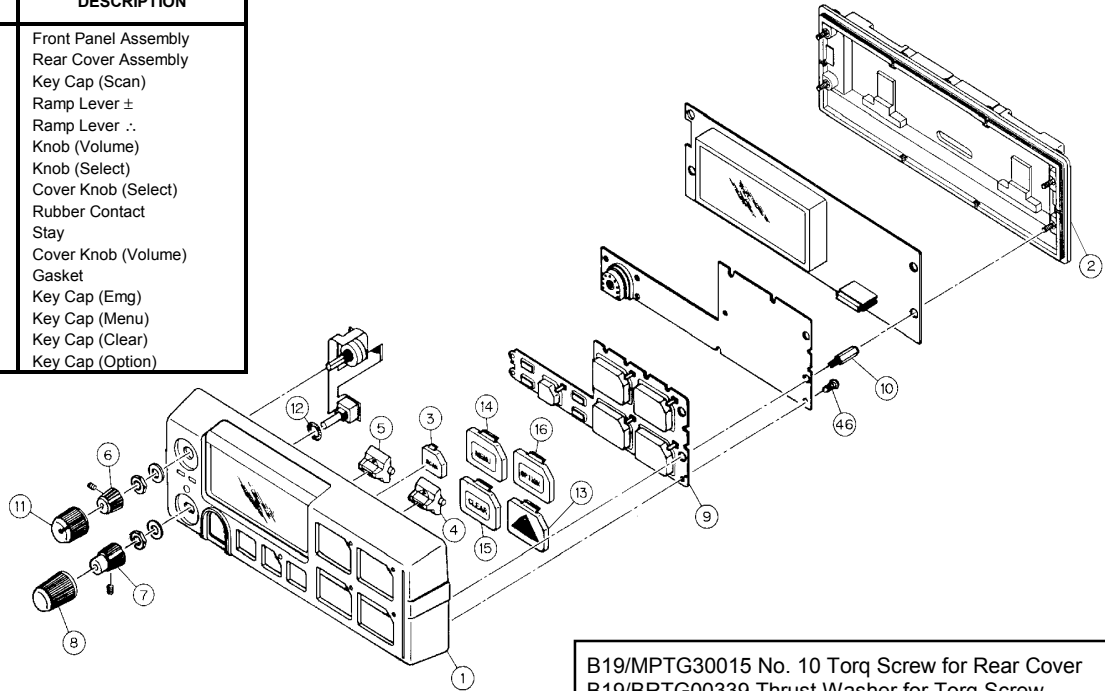


ITEM	PART NUMBER	DESCRIPTION
1	344A4581P3	CONTROL UNIT
2	344A4577P1/P2	TXRX (VHF) (SYNTH/RX/EX)
	344A4578P1-P4	TXRX (UHF) (SYNTH/RX/EX)
	344A4577P102	TXRX (UHF-DB) (SYNTH/RX/EX)
	344A4578P101/P102/P104	TXRX (UHF-DB) (SYNTH/RX/EX)
3	344A4572P1/P2	POWER MODULE (VHF) (POWER UNIT) 25 WATTS
	344A4573P1/P2/ P9	POWER MODULE (UHF) (POWER UNIT) 20 WATTS
4	19B802611P2	GASKET
5	19B802611P1	GASKET
6	19B802621P1	NAME PLATE
7	344A4756P1	WASHER
8	344A4700P2	SCREW

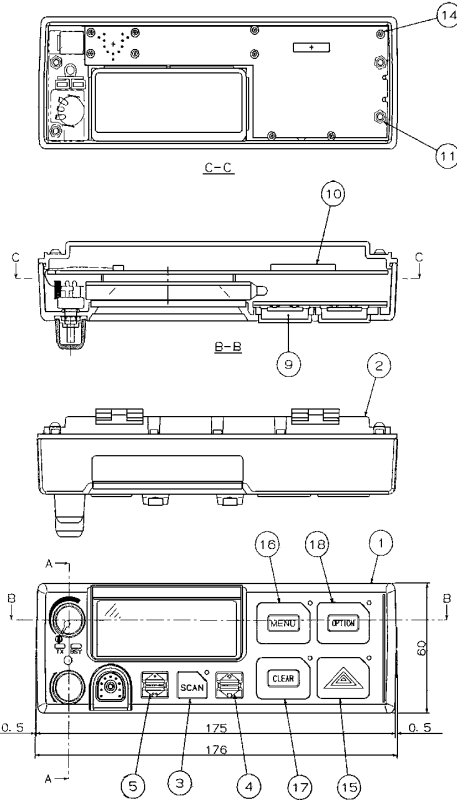


ITEM	PART NUMBER	DESCRIPTION
1	344A4581P3	CONTROL UNIT
2	344A4577P1/P2	TXRX (VHF) (SYNTH/RX/EX)
	344A4578P1-P4	TXRX (UHF) (SYNTH/RX/EX)
	344A4577P102	TXRX (UHF-DB) (SYNTH/RX/EX)
	344A4578P101/P102/P104	TXRX (UHF-DB) (SYNTH/RX/EX)
3	344A4572P1/P2	POWER MODULE (VHF) (POWER UNIT) 25 WATTS
	344A4573P1/P2/ P9	POWER MODULE (UHF) (POWER UNIT) 20 WATTS
4	19B802611P2	GASKET
5	19B802611P1	GASKET
6	19B802621P1	NAME PLATE
7	344A4756P1	WASHER
8	344A4700P2	SCREW
9		HANDLE KIT

ITEM	PART NUMBER	DESCRIPTION
1	B19/MPBC30349	Front Panel Assembly
2	B19/MPBC30093B	Rear Cover Assembly
3	B19/MTV300540	Key Cap (Scan)
4	B19/MTV300002A	Ramp Lever ±
5	B19/MTV300003A	Ramp Lever ∴
6	B19/MPHD30001A	Knob (Volume)
7	B19/MPHD30002A	Knob (Select)
8	B19/MTV300461	Cover Knob (Select)
9	B19/MPPK30004A	Rubber Contact
10	B19/ML046412A	Stay
11	B19/MTV0004931A	Cover Knob (Volume)
12	B19/BRPK00561	Gasket
13	B19/MTV3000606	Key Cap (Emg)
14	B19/MTV300603	Key Cap (Menu)
15	B19/MTV300604	Key Cap (Clear)
16	B19/MTV300060	Key Cap (Option)



B19/MPTG30015 No. 10 Torq Screw for Rear Cover
 B19/BRTG00339 Thrust Washer for Torq Screw

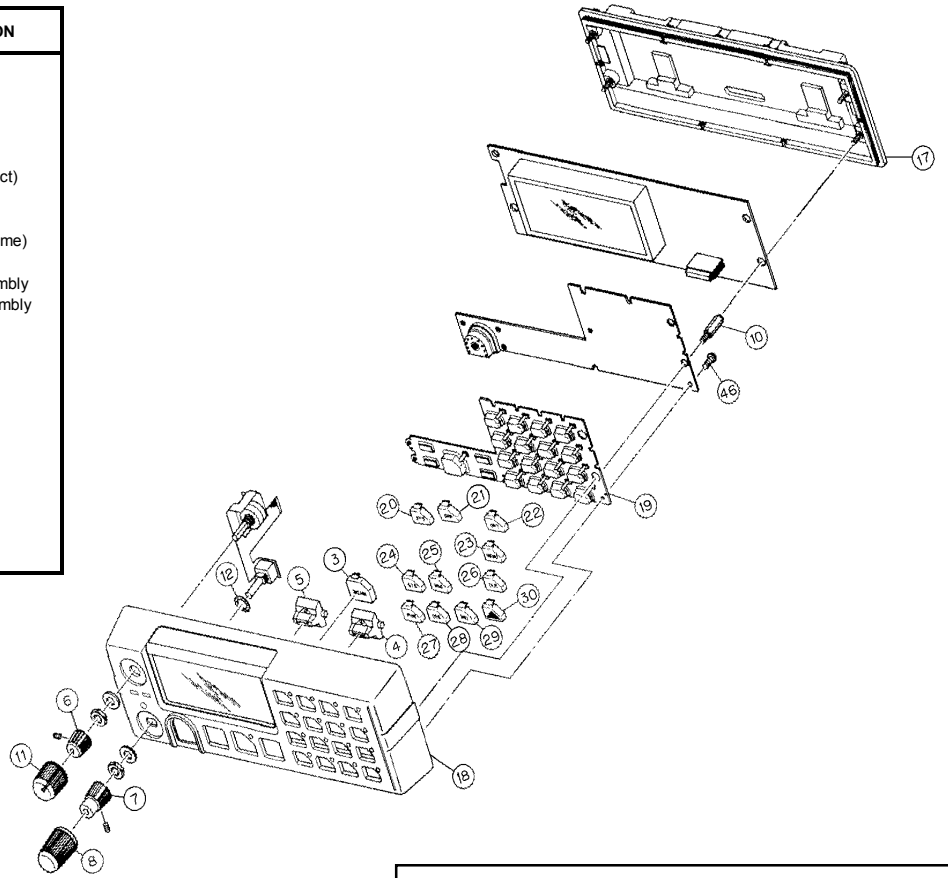


ITEM	PART NUMBER	DESCRIPTION
1	B19/MPBC30349	Front Panel Assembly
2	B19/MPBC30093B	Rear Cover Assembly
3	B19/MTV300540	Key Cap (Scan)
4	B19/MTV300002A	Ramp Lever ±
5	B19/MTV300003A	Ramp Lever ∴
6	B19/MPHD30001A	Knob (Volume)
7	B19/MPHD30002A	Knob (Select)
8	B19/MTV300461	Cover Knob (Select)
9	B19/MPPK30004A	Rubber Contact
10	B19/MTB309080A	Case Shield
11	B19/MTL046412A	Stay
12	B19/MTV0004931A	Cover Knob (Volume)
13	B19/BRPK00561	Gasket
14	B19/BRTG05174	PT Screw
15	B19/MTV3000606	Key Cap (Emg)
16	B19/MTV300603	Key Cap (Menu)
17	B19/MTV300604	Key Cap (Clear)
18	B19/MTV300060	Key Cap (Option)

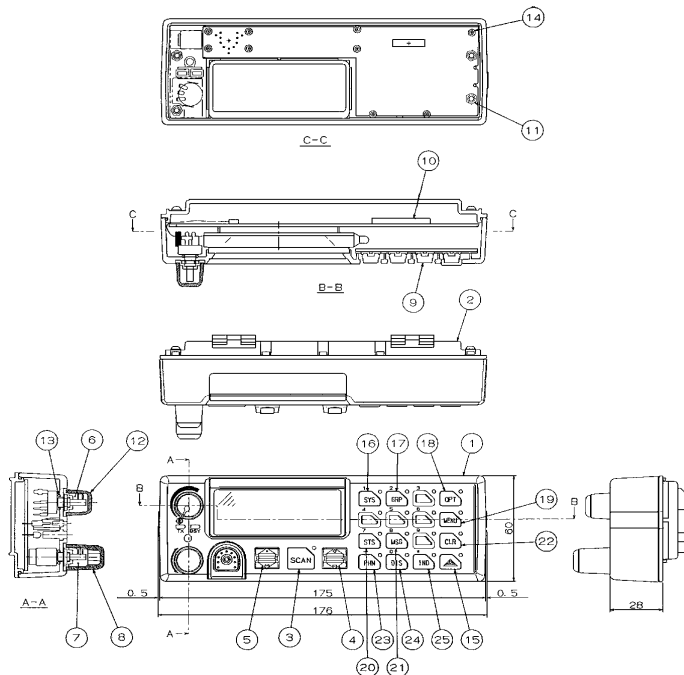
LOCAL TYPE CONTROL UNIT (SCAN)

EXPLODED VIEW & PARTS LIST
 344A4581P1 (B19/CMD-556BL)

ITEM	PART NUMBER	DESCRIPTION
3	B19/MTV300540	Key Cap (Scan)
4	B19/MTV300002A	Ramp Lever ±
5	B19/MTV300003A	Ramp Lever ∴
6	B19/MPHD30001A	Knob (Volume)
7	B19/MPHD30002A	Knob (Select)
8	B19/MTV300461	Cover Knob (Select)
9	B19/MPPK01867A	Rubber Contact
10	B19/MTL046412A	Stay
11	B19/MTV004931A	Cover Knob (Volume)
12	B19/BRPK00561	Gasket
17	B19/MPBC30093B	Rear Cover Assembly
18	B19/MPBC30348	Front Cover Assembly
19	B19/MPPK01867A	Rubber Contact
20	B19/MTV300542	Key Cap (Sys)
21	B19/MTV300543	Key Cap (Grp)
22	B19/MTV300544	Key Cap (Opt)
23	B19/MTV300545	Key Cap (Menu)
24	B19/MTV300546	Key Cap (Sts)
25	B19/MTV300547	Key Cap (Msg)
26	B19/MTV300548	Key Cap (Clr)
27	B19/MTV300549	Key Cap (Phn)
28	B19/MTV300550	Key Cap (Dis)
29	B19/MTV300551	Key Cap (Ind)
30	B19/MTV300552	Key Cap (Emg)



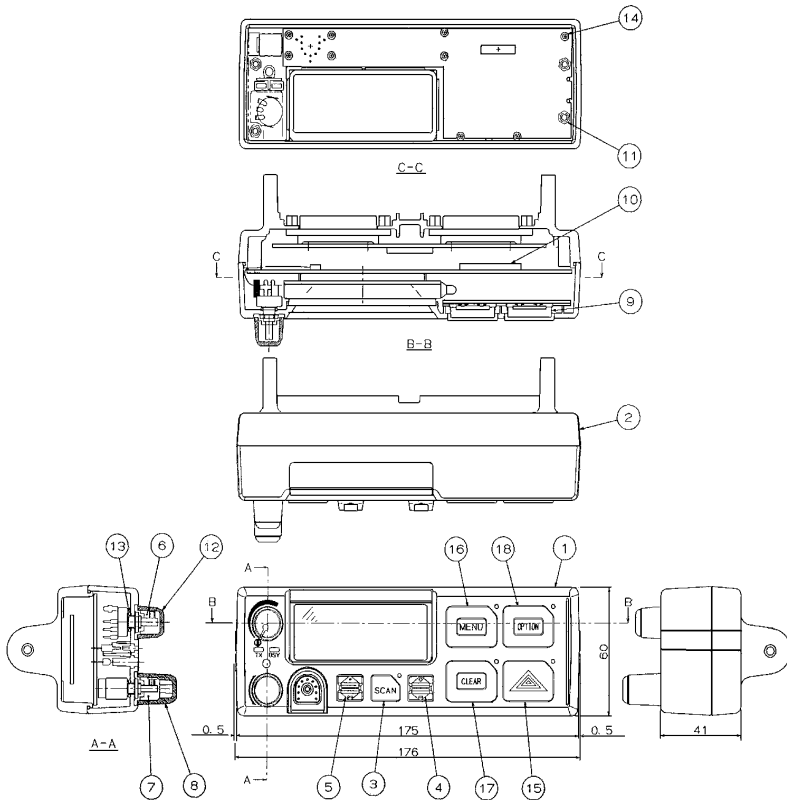
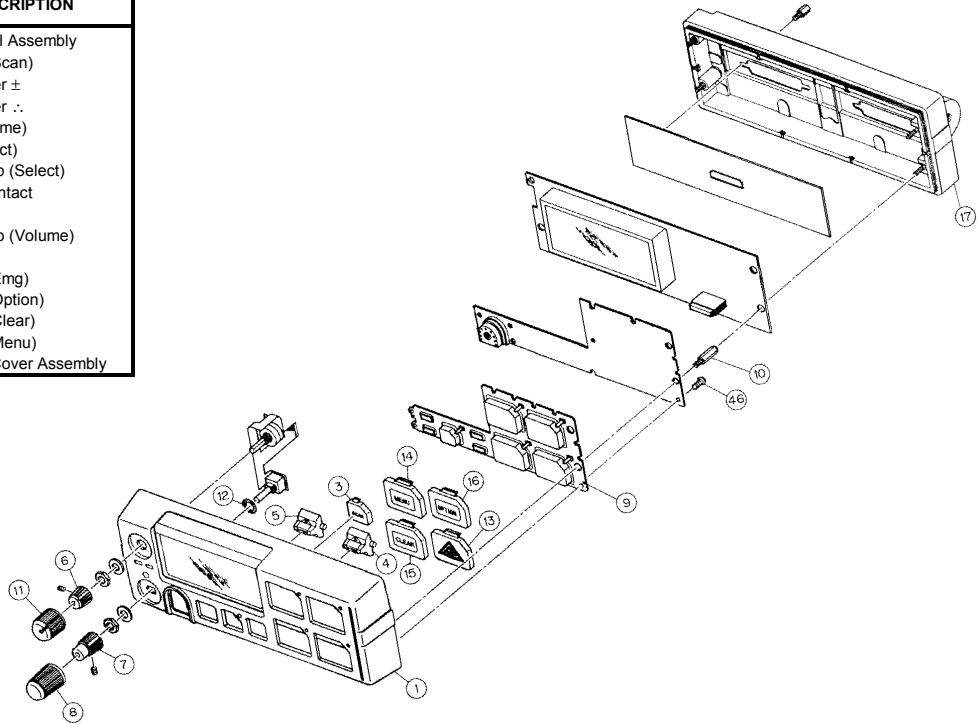
B19/MPTG30015 No. 10 Torq Screw for Rear Cover
 B19/BRTG00339 Thrust Washer for Torq Screw



ITEM	PART NUMBER	DESCRIPTION
1	B19/MPBC30348	Front Cover Assembly
2	B19/MPBC30093B	Rear Cover Assembly
3	B19/MTV300540	Key Cap (Scan)
4	B19/MTV300002A	Ramp Lever ±
5	B19/MTV300003A	Ramp Lever ∴
6	B19/MPHD30001A	Knob (Volume)
7	B19/MPHD30002A	Knob (Select)
8	B19/MTV300461	Cover Knob (Select)
9	B19/MPPK01867A	Rubber Contact
10	B19/MTB309080A	Case Shield
11	B19/MTL046412A	Stay
12	B19/MTV004931A	Cover Knob (Volume)
13	B19/BRPK00561	Gasket
14	B19/BRTG05174	PT Screw
15	B19/MTV300552	Key Cap (Emg)
16	B19/MTV300542	Key Cap (Sys)
17	B19/MTV300543	Key Cap (Grp)
18	B19/MTV300544	Key Cap (Opt)
19	B19/MTV300545	Key Cap (Menu)
20	B19/MTV300546	Key Cap (Sts)
21	B19/MTV300547	Key Cap (Msg)
22	B19/MTV300548	Key Cap (Clr)
23	B19/MTV300549	Key Cap (Phn)
24	B19/MTV300550	Key Cap (Dis)
25	B19/MTV300551	Key Cap (Ind)

**LOCAL TYPE CONTROL UNIT (SYSTEM)
 EXPLODED VIEW & PARTS LIST
 344A4581P3 (B19/CMD-556ML)**

ITEM	PART NUMBER	DESCRIPTION
1	B19/MPBC30349	Front Panel Assembly
3	B19/MTV300540	Key Cap (Scan)
4	B19/MTV300002A	Ramp Lever ±
5	B19/MTV300003A	Ramp Lever ∴
6	B19/MPHD30001A	Knob (Volume)
7	B19/MPHD30002A	Knob (Select)
8	B19/MTV300461	Cover Knob (Select)
9	B19/MPPK30004A	Rubber Contact
10	B19/ML046412A	Stay
11	B19/MTV0004931A	Cover Knob (Volume)
12	B19/BRPK00561	Gasket
13	B19/MTV300606	Key Cap (Emg)
14	B19/MTV300603	Key Cap (Option)
15	B19/MTV300604	Key Cap (Clear)
16	B19/MTV300060	Key Cap (Menu)
17	B19/MDNQZ5110A	RIA Rear Cover Assembly



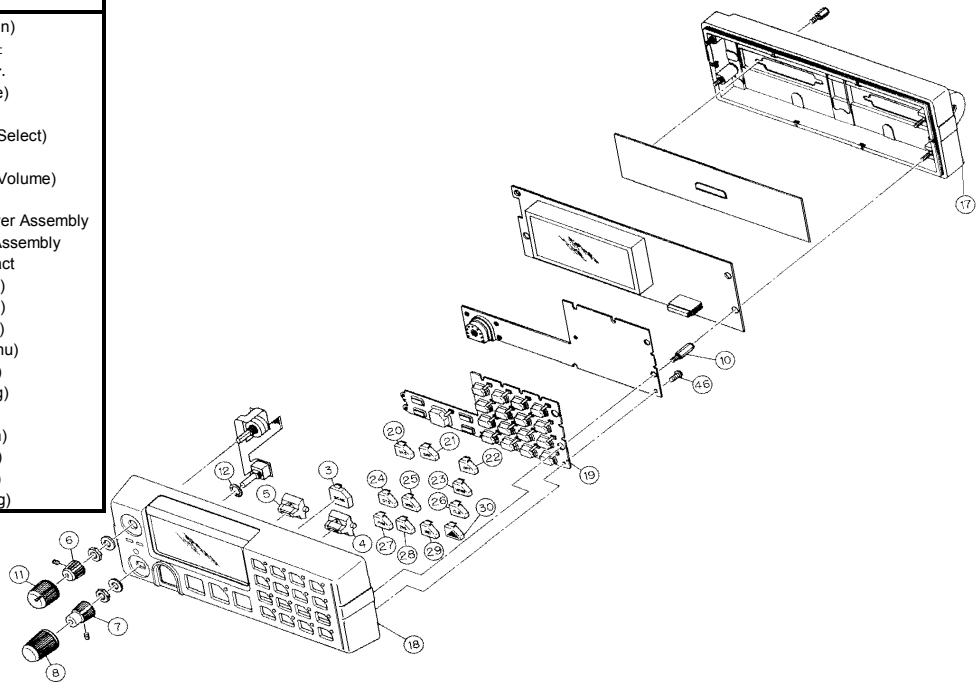
Stays (See item 10 above)
 B19/MTL04612A For control Unit Front Mount
 B19/BRBP05191 For RIA Remote Rear Cover

B19/MPTG30015 No. 10 Torq Screw for Rear Cover
 B19/BRTG00339 Thrust Washer for Torq Screw

ITEM	PART NUMBER	DESCRIPTION
1	B19/MPBC30349	Front Panel Assembly
2	B19/MDNQZ5110A	RIA Rear Cover Assembly
3	B19/MTV300540	Key Cap (Scan)
4	B19/MTV300002A	Ramp Lever ±
5	B19/MTV300003A	Ramp Lever ∴
6	B19/MPHD30001A	Knob (Volume)
7	B19/MPHD30002A	Knob (Select)
8	B19/MTV300461	Cover Knob (Select)
9	B19/MPPK30004A	Rubber Contact
10	B19/MTB309080A	Case Shield
11	B19/MTL046412A	Stay
12	B19/MTV0004931A	Cover Knob (Volume)
13	B19/BRPK00561	Gasket
14	B19/BRTG05174	PT Screw
15	B19/MTV300606	Key Cap (Emg)
16	B19/MTV300603	Key Cap (Menu)
17	B19/MTV300604	Key Cap (Clear)
18	B19/MTV300607	Key Cap (Option)

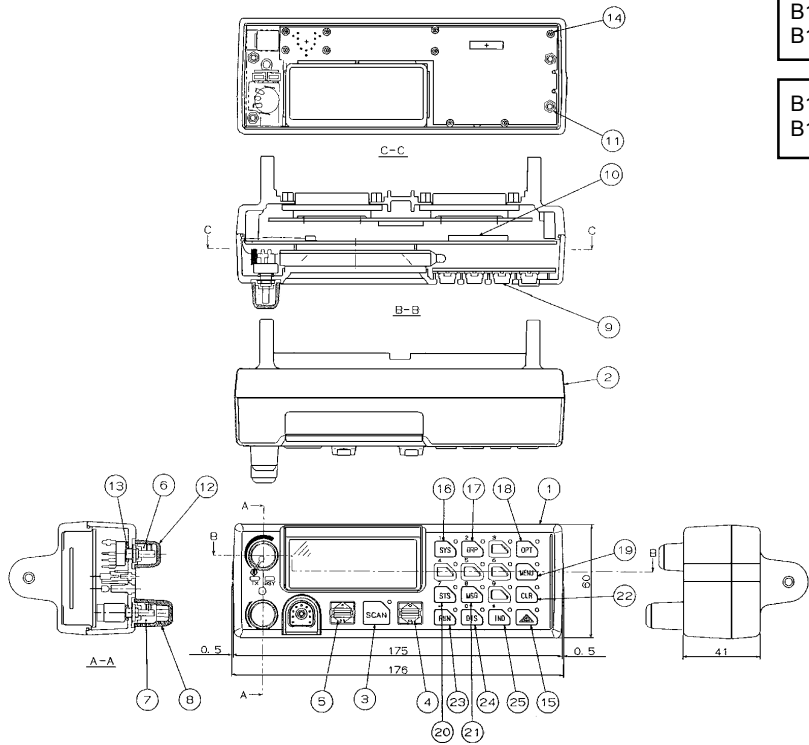
**REMOTE TYPE CONTROL UNIT (SCAN)
 EXPLODED VIEW & PARTS LIST
 344A4581P2 (B19/CMD-556BR)**

ITEM	PART NUMBER	DESCRIPTION
3	B19/MTV300540	Key Cap (Scan)
4	B19/MTV300002A	Ramp Lever ±
5	B19/MTV300003A	Ramp Lever .:
6	B19/MPHD30001A	Knob (Volume)
7	B19/MPHD30002A	Knob (Select)
8	B19/MTV300461	Cover Knob (Select)
10	B19/MTL046412A	Stay
11	B19/MTV004931A	Cover Knob (Volume)
12	B19/BRPK00561	Gasket
17	B19/MDNQZ5110A	RIA Rear Cover Assembly
18	B19/MPBC30348	Front Cover Assembly
19	B19/MPPK01867A	Rubber Contact
20	B19/MTV300542	Key Cap (Sys)
21	B19/MTV300543	Key Cap (Grp)
22	B19/MTV300544	Key Cap (Opt)
23	B19/MTV300545	Key Cap (Menu)
24	B19/MTV300546	Key Cap (Sts)
25	B19/MTV300547	Key Cap (Msg)
26	B19/MTV300548	Key Cap (Clr)
27	B19/MTV300549	Key Cap (Phn)
28	B19/MTV300550	Key Cap (Dis)
29	B19/MTV300551	Key Cap (Ind)
30	B19/MTV300552	Key Cap (Emg)



Stays (See item 10 above)
 B19/MTL04612A For control Unit Front Mount
 B19/BRBP05191 For RIA Remote Rear Cover

B19/MPTG30015 No. 10 Torq Screw for Rear Cover
 B19/BRTG00339 Thrust Washer for Torq Screw

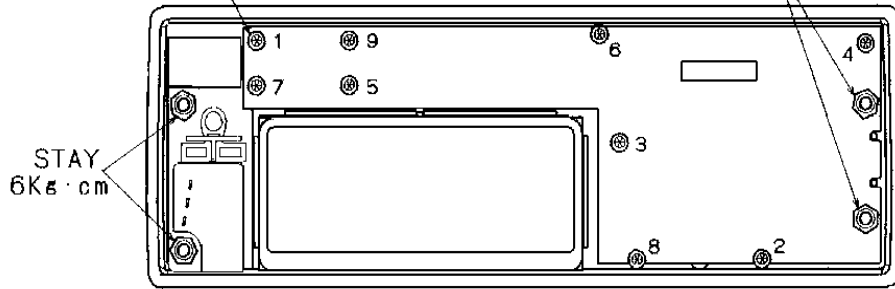


ITEM	PART NUMBER	DESCRIPTION
1	B19/MPBC30348	Front Cover Assembly
2	B19/MDNQZ5110A	RIA Rear Cover Assembly
3	B19/MTV300540	Key Cap (Scan)
4	B19/MTV300002A	Ramp Lever ±
5	B19/MTV300003A	Ramp Lever .:
6	B19/MPHD30001A	Knob (Volume)
7	B19/MPHD30002A	Knob (Select)
8	B19/MTV300461	Cover Knob (Select)
9	B19/MPPK01867A	Rubber Contact
10	B19/MTB309080A	Case Shield
11	B19/MTL046412A	Stay
12	B19/MTV004931A	Cover Knob (Volume)
13	B19/BRPK00561	Gasket
14	B19/BRTG05174	PT Screw
15	B19/MTV300552	Key Cap (Emg)
16	B19/MTV300542	Key Cap (Sys)
17	B19/MTV300543	Key Cap (Grp)
18	B19/MTV300544	Key Cap (Opt)
19	B19/MTV300545	Key Cap (Menu)
20	B19/MTV300546	Key Cap (Sts)
21	B19/MTV300547	Key Cap (Msg)
22	B19/MTV300548	Key Cap (Clr)
23	B19/MTV300549	Key Cap (Phn)
24	B19/MTV300550	Key Cap (Dis)
25	B19/MTV300551	Key Cap (Ind)

**REMOTE TYPE CONTROL UNIT (SYSTEM)
 EXPLODED VIEW & PARTS LIST
 344A4581P4 (B19/CMD-556MR)**

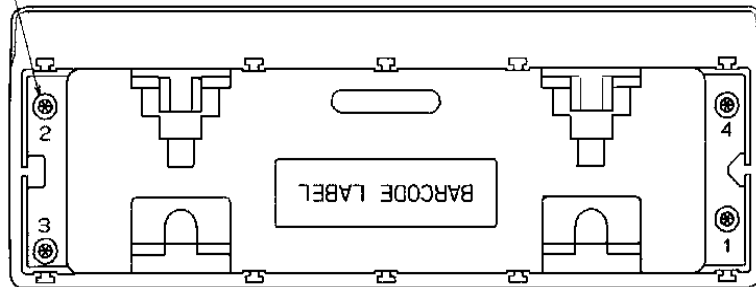
PT. SCREW (SEQUENCE: 1~9)
2.8K ϵ ·cm

STAY
6K ϵ ·cm

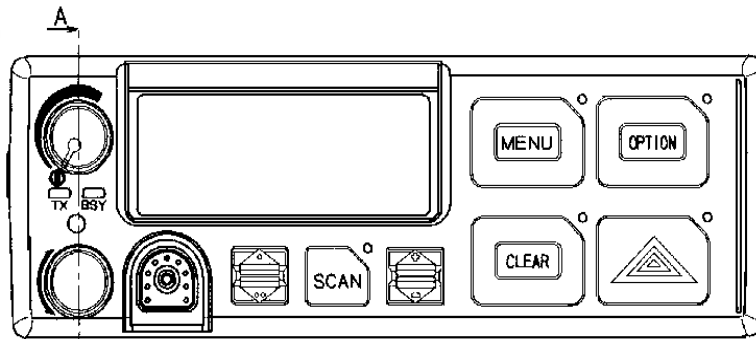
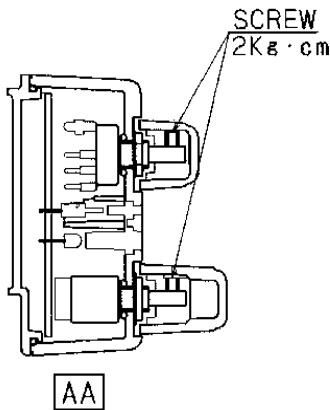


BACK VIEW (REMOVE REARCOVER AND PANEL CONTROL)

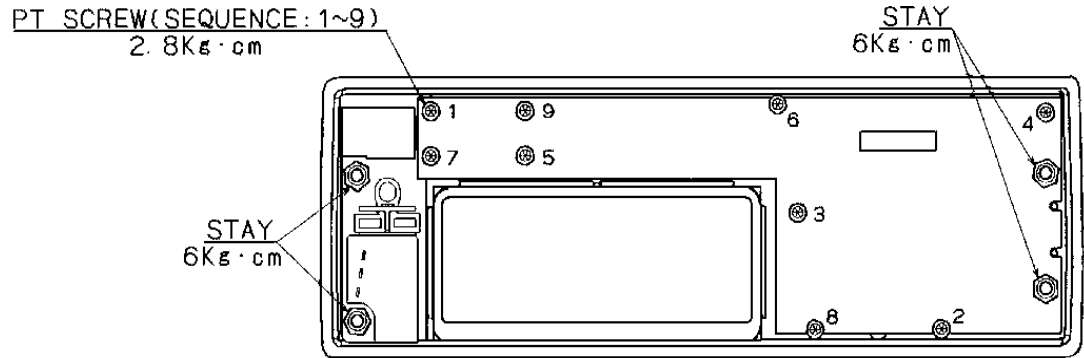
TORX SCREW (SEQUENCE: 1~4)
8K ϵ ·cm



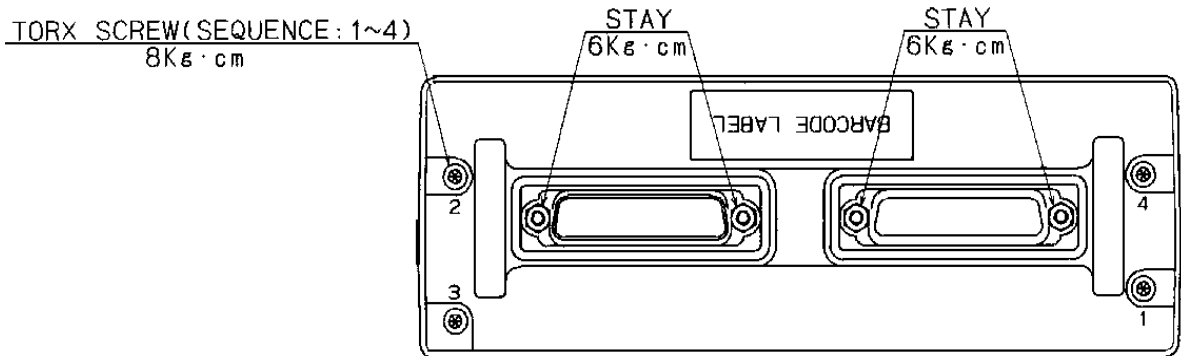
BACK VIEW



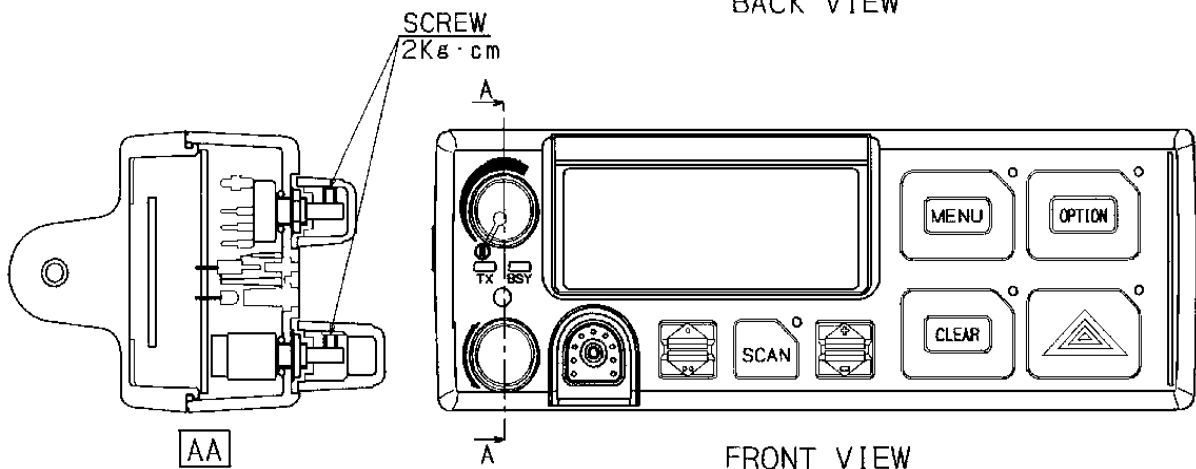
FRONT VIEW



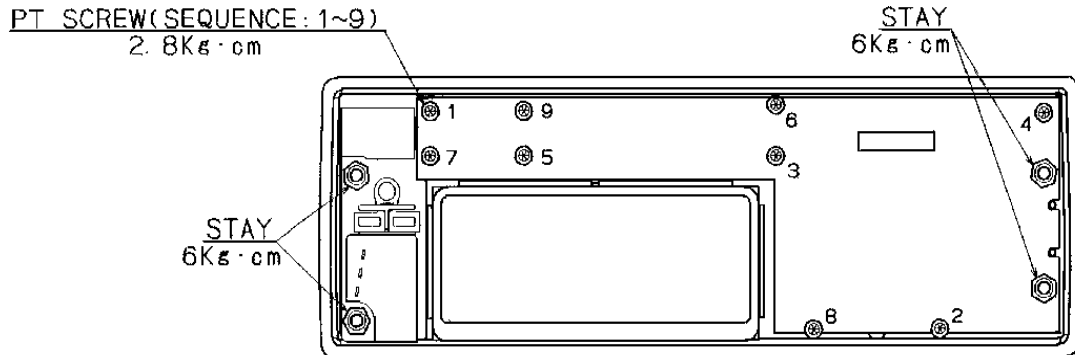
BACK VIEW (REMOVE REARCOVER AND PANEL CONTROL)



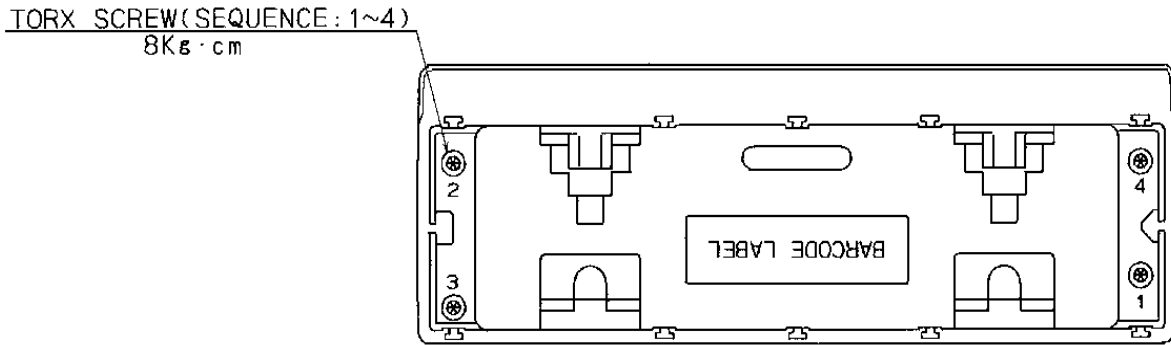
BACK VIEW



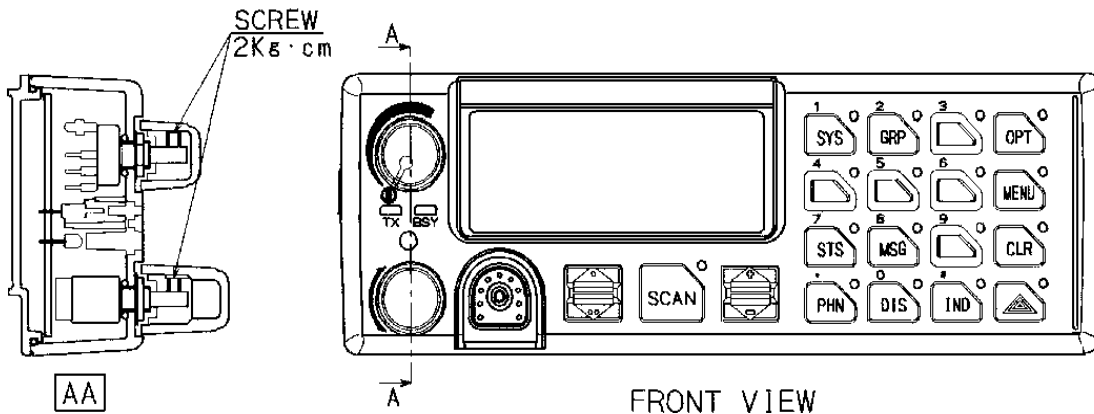
FRONT VIEW



BACK VIEW (REMOVE REARCOVER AND PANEL CONTROL)

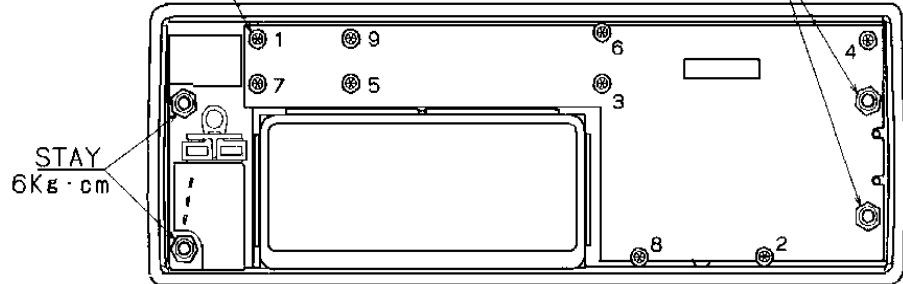


BACK VIEW



PT. SCREW (SEQUENCE: 1~9)
2.8Kg·cm

STAY
6Kg·cm

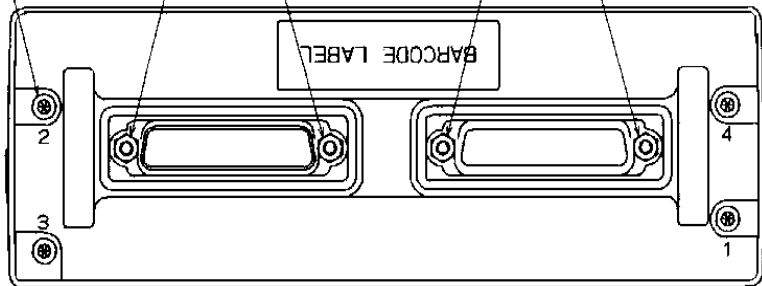


BACK VIEW (REMOVE REARCOVER AND PANEL CONTROL)

TORX SCREW (SEQUENCE: 1~4)
8Kg·cm

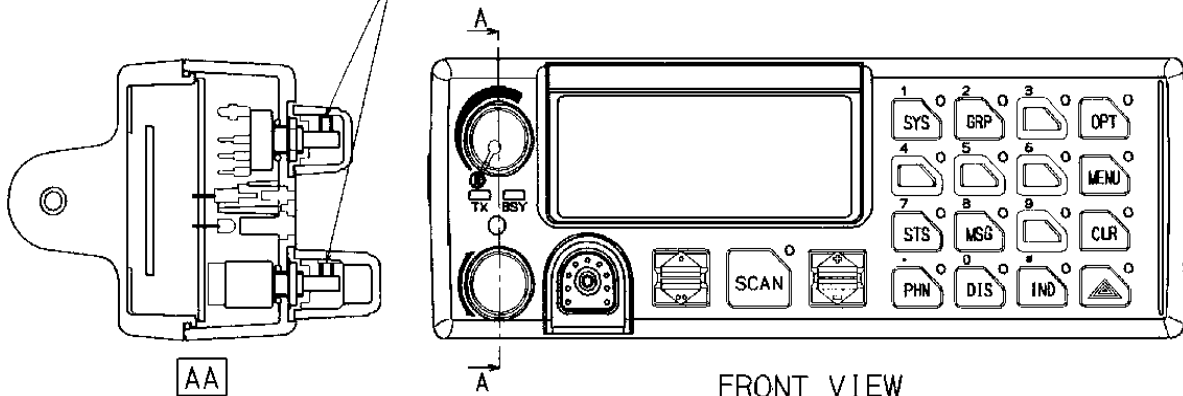
STAY
6Kg·cm

STAY
6Kg·cm

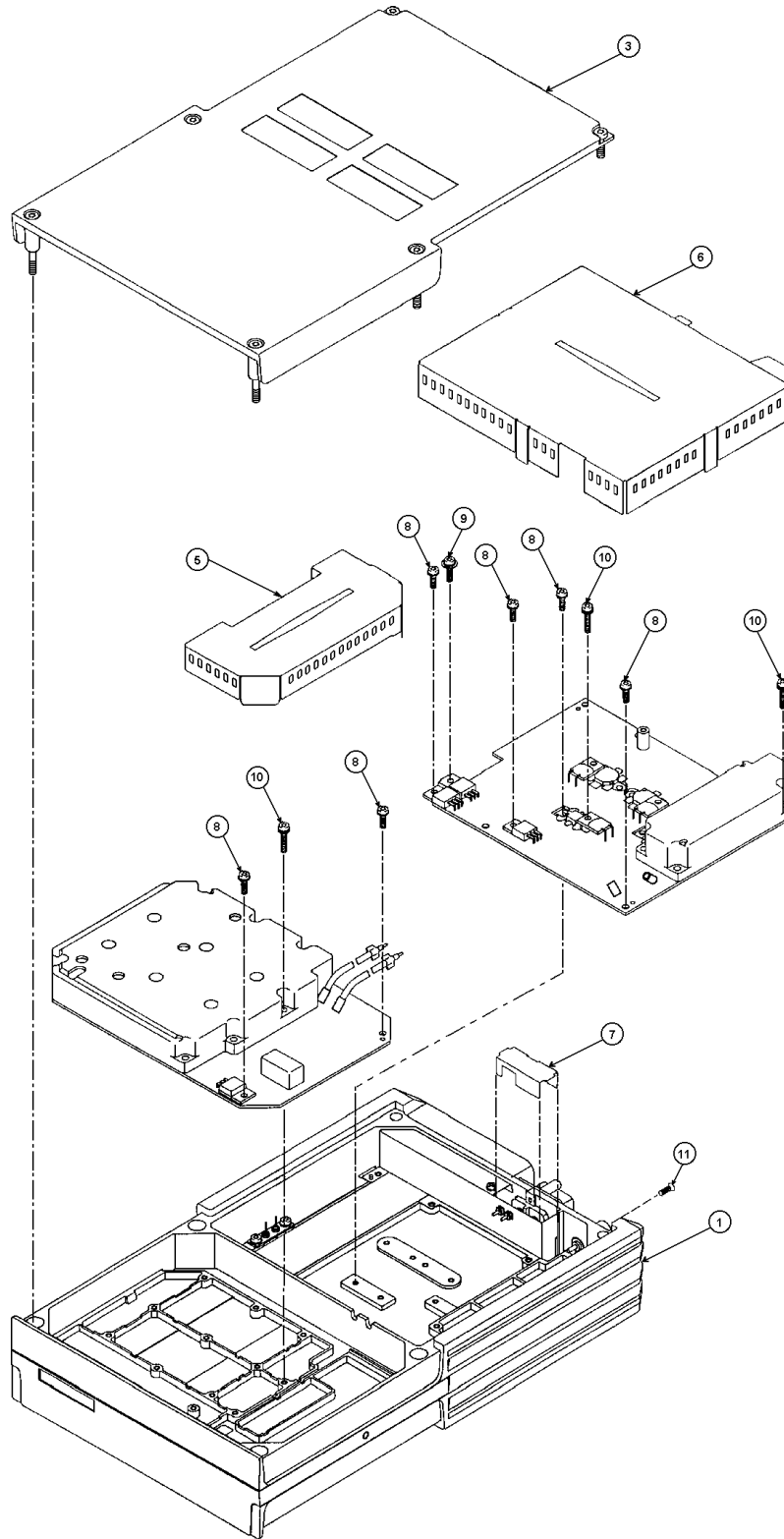


BACK VIEW

SCREW
2Kg·cm



FRONT VIEW



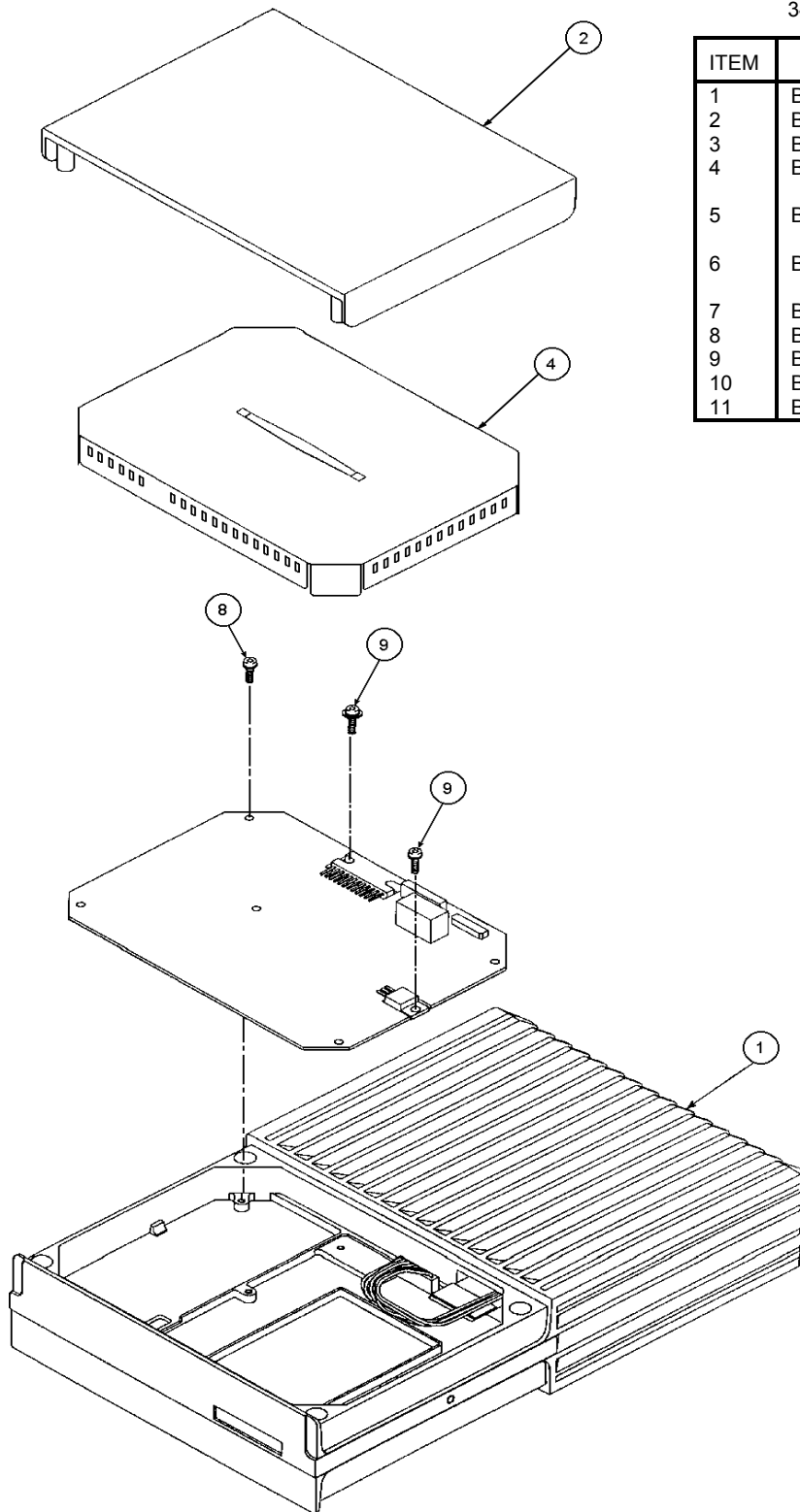
LOW BAND (EXPLODED VIEW AND PARTS LIST (1/2))

RADIO UNIT

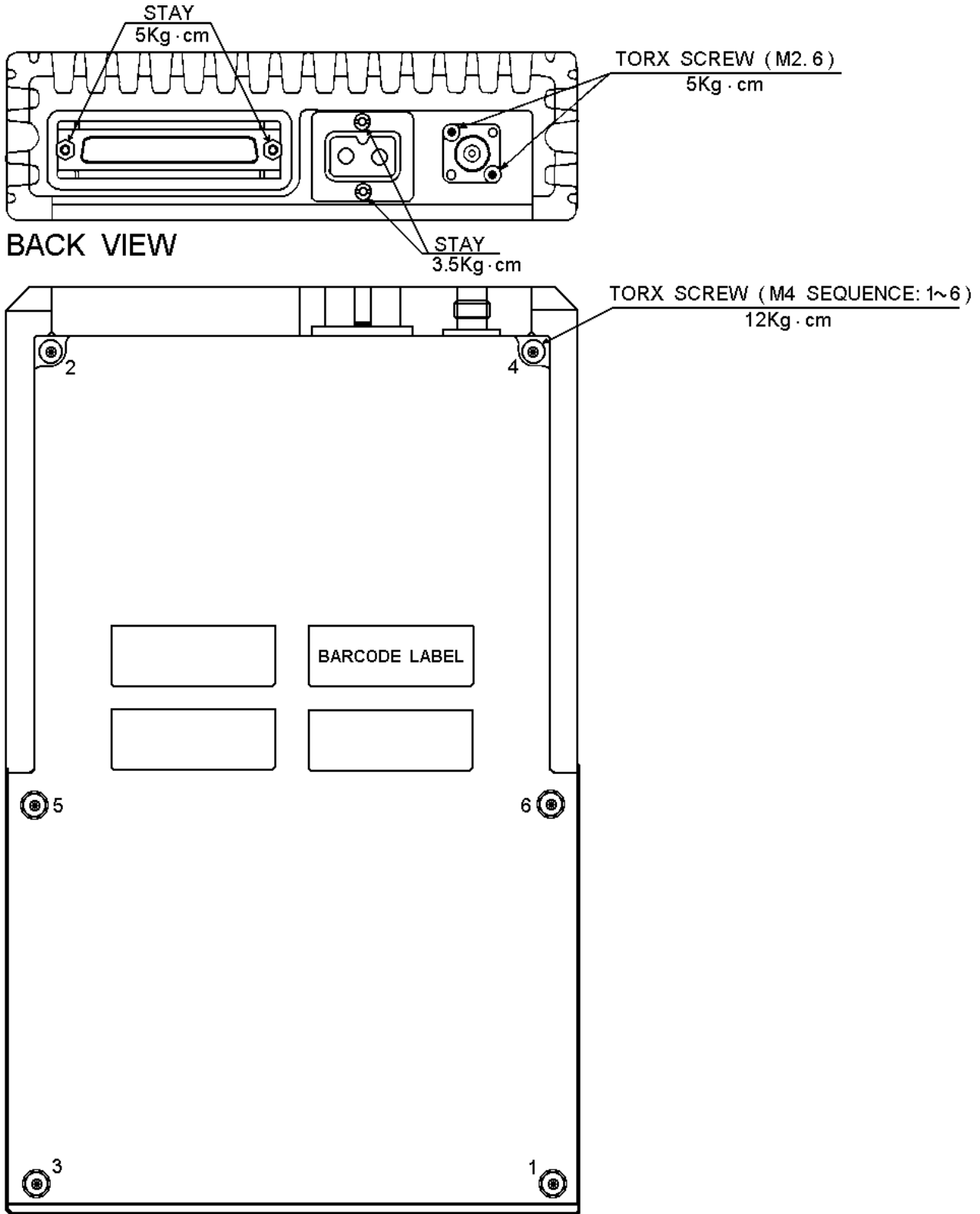
344A4576P1
344A4576P3

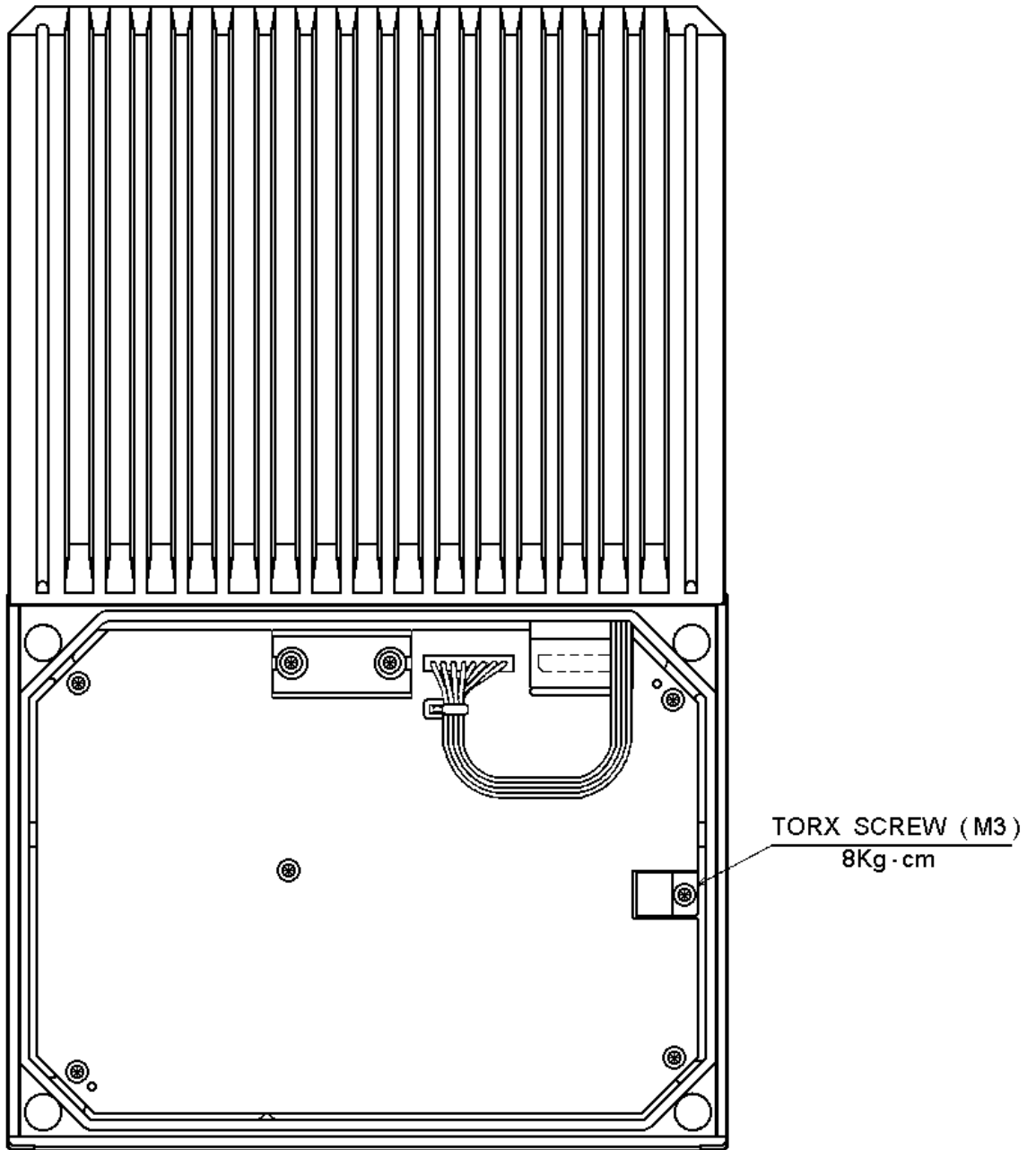
344A4576P2
344A4576P4

ITEM	PART NO.	DESCRIPTION
1	B19/MPBC31484	FRAME ASSEMBLY
2	B19/MPBC31474	TOP COVER ASSEMBLY
3	B19/MPBC31475	BOTTOM COVER ASSEMBLY
4	B19/MPBC31437	COVER SHIELD ASSEMBLY (LOGIC)
5	B19/MPBC31548	COVER SHIELD ASSEMBLY (RF)
6	B19/MPBC31549	COVER SHIELD ASSEMBLY (PA)
7	B19/MTB300290B	COVER SHIELD
8	B19/BRTG03830	SCREW (M3X8)
9	B19/BRTG05022	SCREW (M3X10)
10	B19/BRTG03943	SCREW (M3X13)
11	B19/BRTG05023	SCREW (M2.6X6)

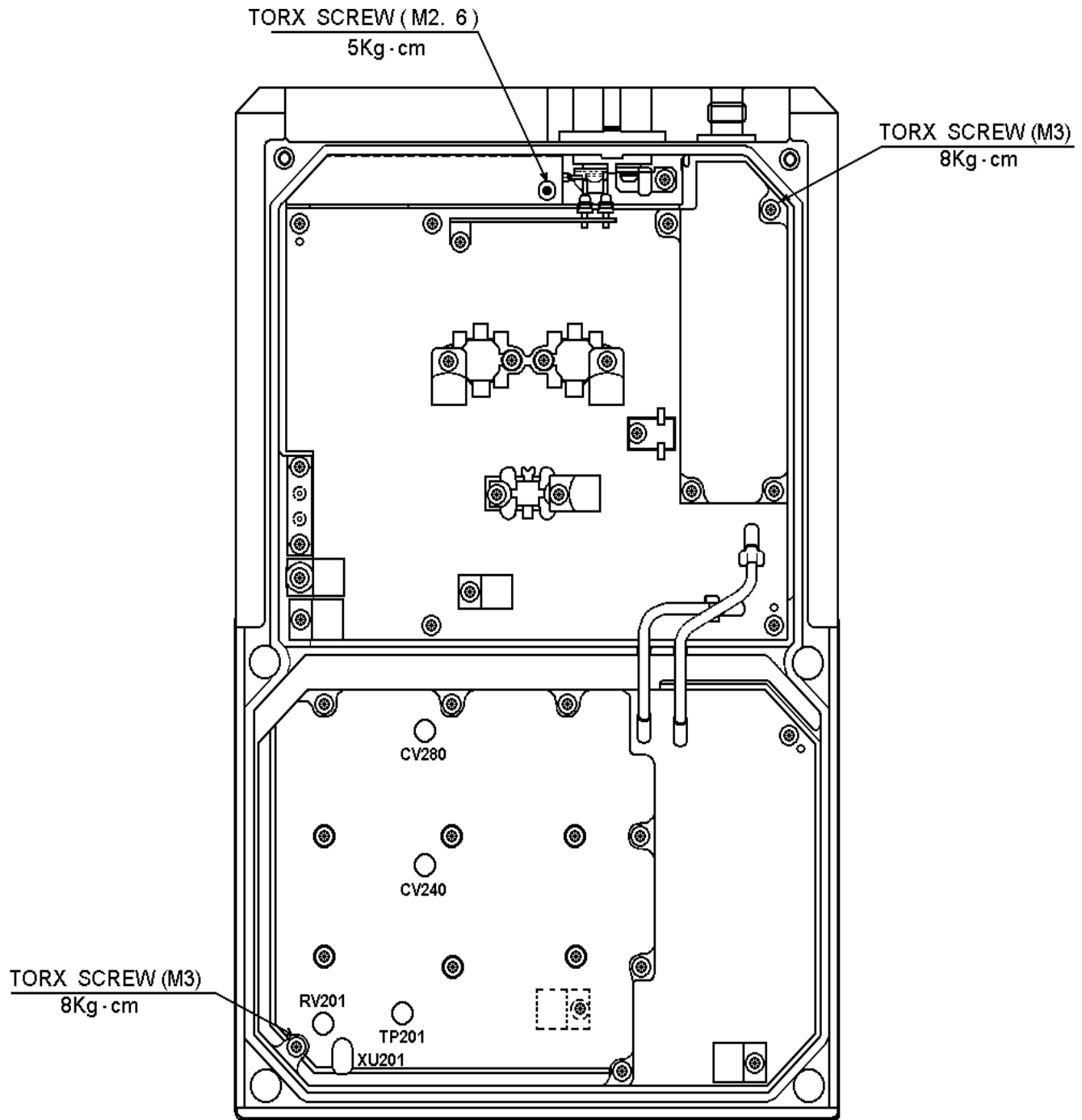


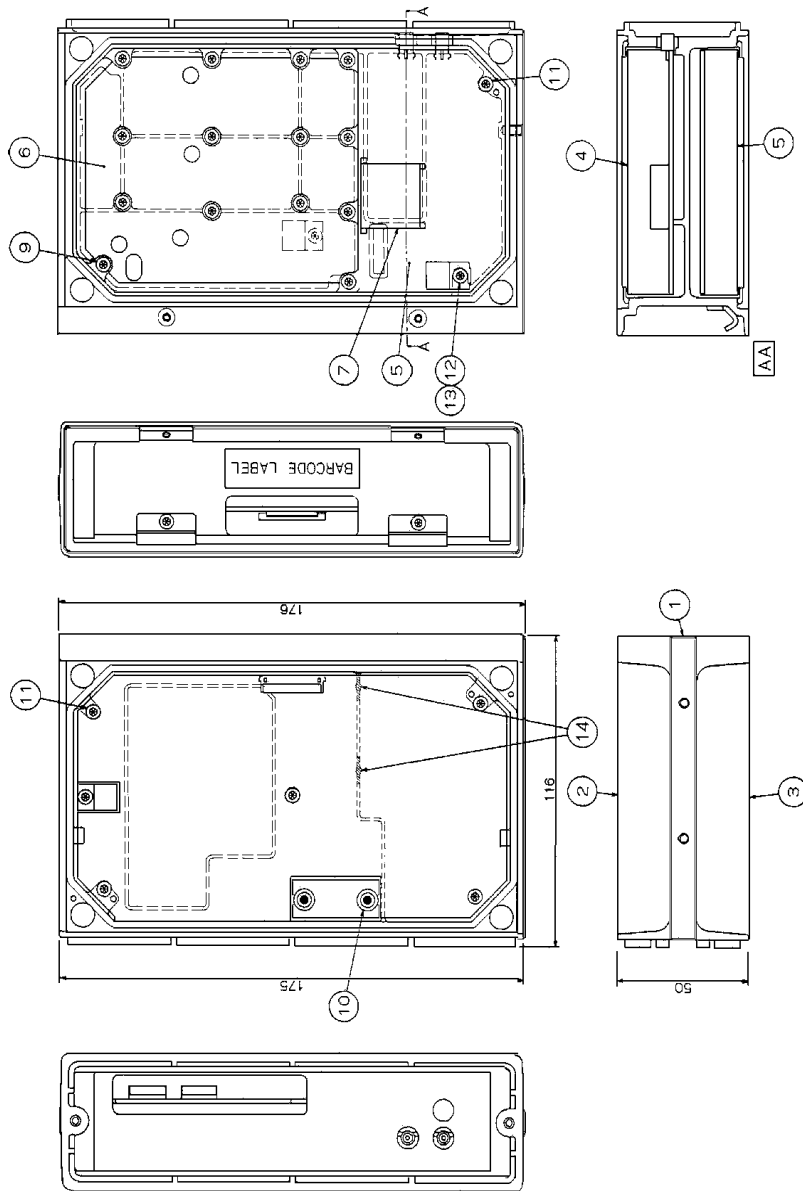
LOW BAND (EXPLODED VIEW AND PARTS LIST (2/2))





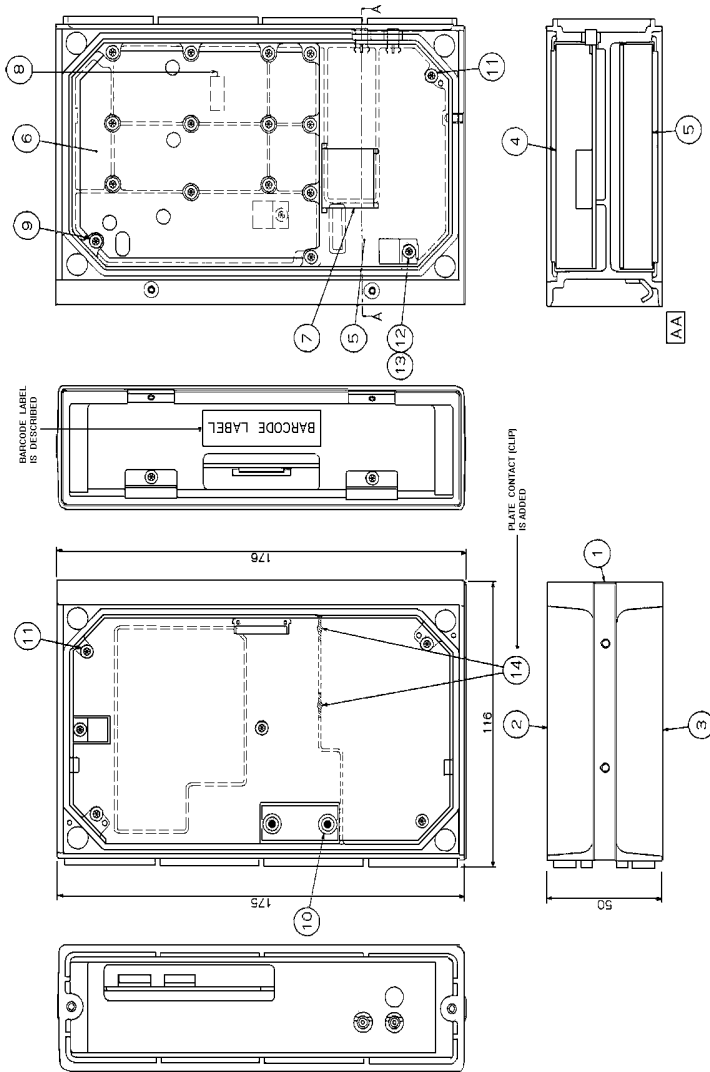
TOP VIEW
(REMOVE TOP COVER AND SHIELD COVER)





ITEM	PART NUMBER	DESCRIPTION
1	B19/MPBC30111C	FRAME ASSEMBLY
2	B19/MPBC30112	TOP COVER ASSEMBLY
3	B19/MPBC30113	BOTTOM COVER ASSEMBLY
4	B19/MPBC30691A	COVER SHIELD ASSEMBLY
5	B19/MPBC30692	COVER SHIELD ASSEMBLY
6	B19/MTC003924	CASE SHIELD
7	B19/MTB308813	CASE SHIELD
9	B19/MTB205125B	CONTACT
9	B19/BRTG03943	SCREW (M3X13)
10	B19/BRTG05022	SCREW (M3X10)
11	B19/BRTG03830	SCREW (M3X8)
12	B19/BRTG03889	SCREW (M3X10)
13	B19/BSLW030008	WASHER
14	B19/MPSR02419	CONTACT

SYNTHESIZER/RECEIVER/EXCITER (VHF)
344A4577P1/P2 (B19/JHM-271RSA/B)
344A4577P101/P102 (B19/JHM-271RDA/B)



ITEM	PART NUMBER	DESCRIPTION
1	B19/MPBC30111C	FRAME ASSEMBLY
2	B19/MPBC30112	TOP COVER ASSEMBLY
3	B19/MPBC30113	BOTTOM COVER ASSEMBLY
4	B19/MPBC30691A	COVER SHIELD ASSEMBLY
5	B19/MPBC30692	COVER SHIELD ASSEMBLY
6	B19/MTC003924	CASE SHIELD
7	B19/MTB308813	CASE SHIELD
8	B19/MTB205125B	CONTACT
9	B19/BRTG03943	SCREW (M3X13)
10	B19/BRTG05022	SCREW (M3X10)
11	B19/BRTG03830	SCREW (M3X8)
12	B19/BRTG03889	SCREW (M3X10)
13	B19/BSLW030008	WASHER
14	B19/MPSR02419	CONTACT

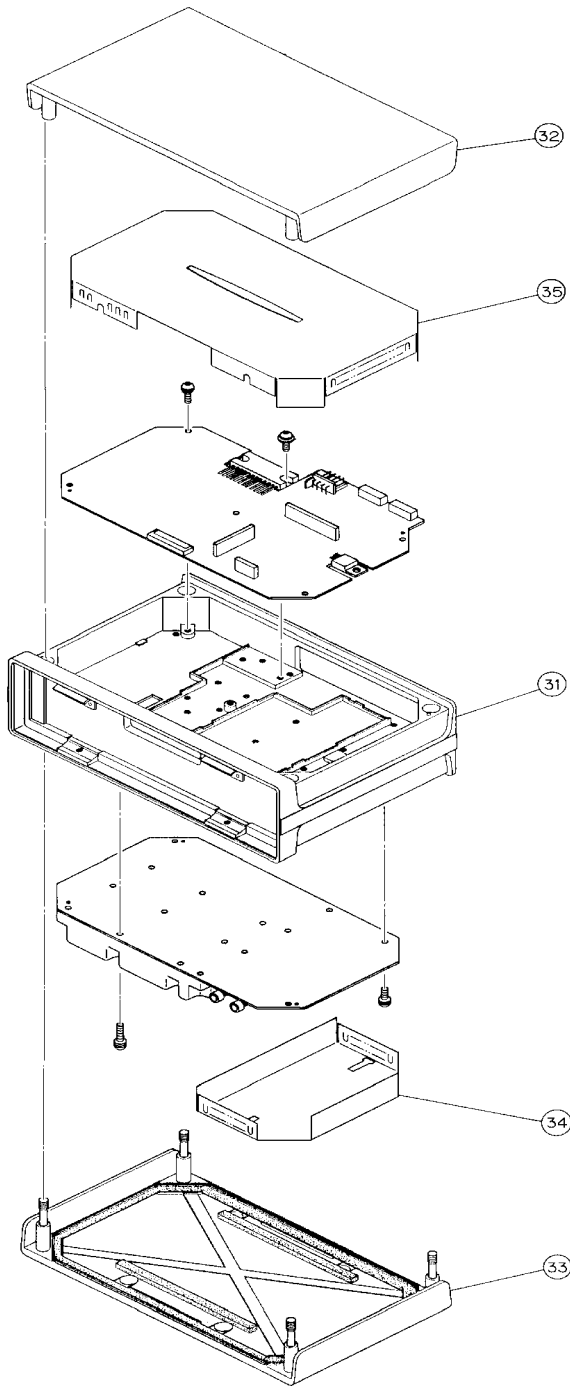
SYNTHESIZER/RECEIVER/EXCITER (UHF, 800 MHz & 900 MHz)

344A4578P1/P2/P3 (B19/JHM-471RSA/B/C)

344A4578P101/P102/P103 (JHM-471RDA/B/C) UHF-DB

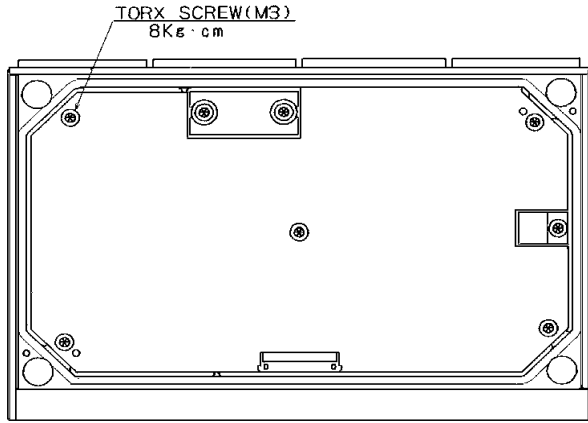
344A4579P1 (B19/JHM-871RN) 800 MHz

344A4580P1 (B19/JHM-971RL) 900 MHz

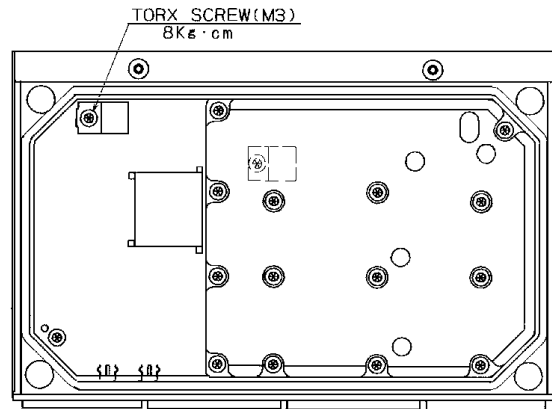


ITEM	PART NUMBER	DESCRIPTION
31	B19/MPBC30111C	Frame
32	B19/MPBC30112	Top Cover
33	B19/MPBC30113	Bottom Cover
34	B19/MPBC30691A	Bottom Cover Shield
35	B19/MPBC30692	Top Cover Shield

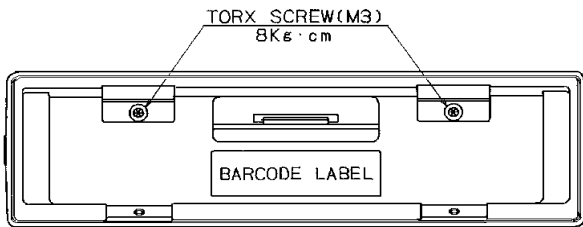
SYNTHESIZER/RECEIVER/EXCITER (EXPLODED VIEW)



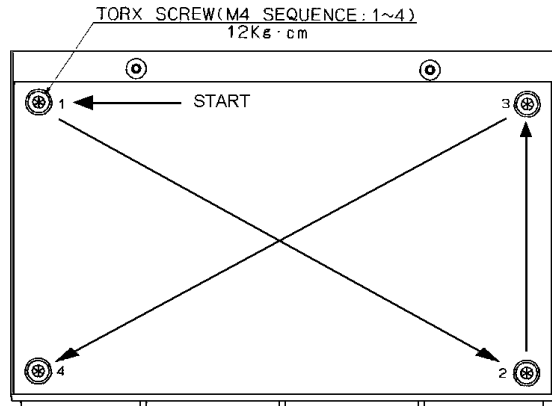
TOP VIEW(REMOVE TOP COVER AND SHIELD COVER)



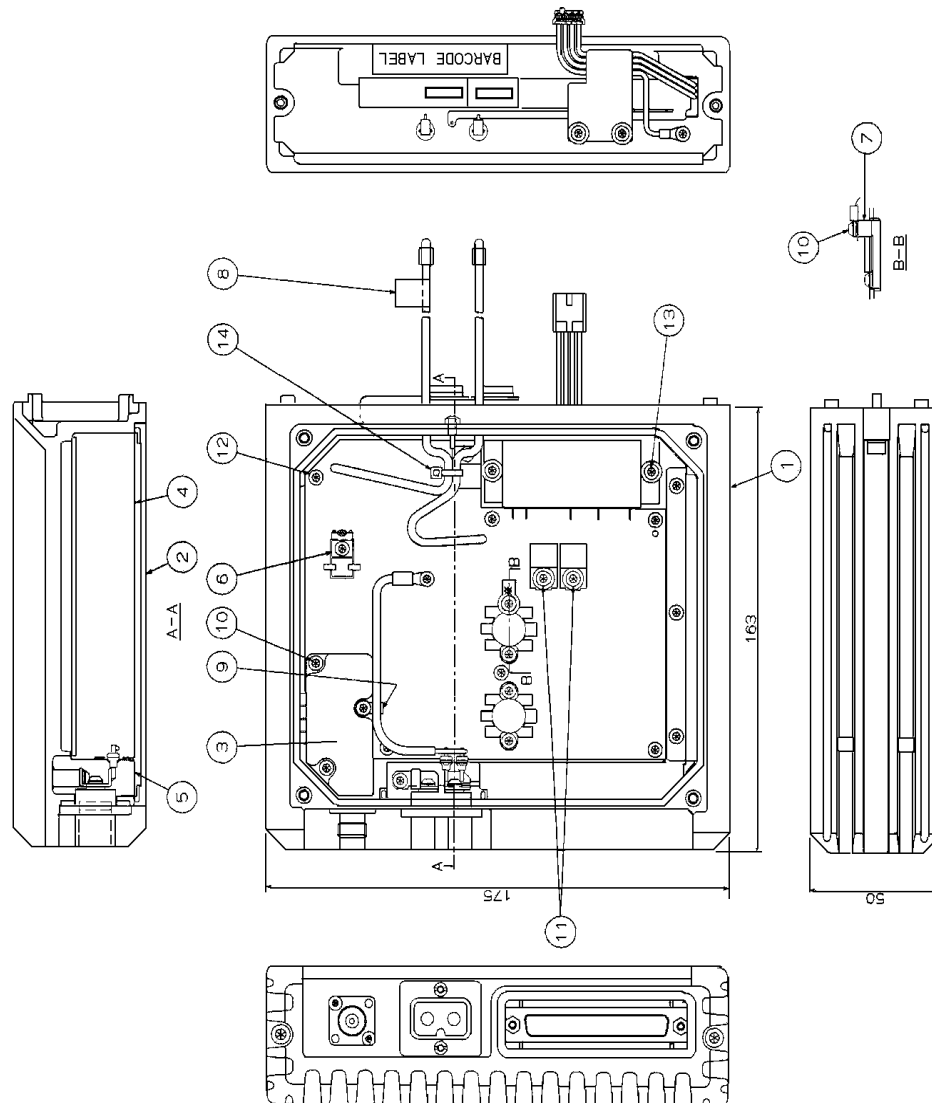
BOTTOM VIEW(REMOVE BOTTOM COVER AND SHIELD COVER)



FRONT VIEW



BOTTOM VIEW



VHF HIGH POWER

ITEM	PART NUMBER	DESCRIPTION
1	B19/MPBC30095C	FRAME (ASSY)
2	B19/MPBC300968	COVER (ASSY)
3	B19/BPBC30693	CASE SHIELD (ASSY)
4	B19/MPBC30695A	CASE SHIELD (ASSY)
5	B19/MTB300290B	CASE SHIELD
6	B19/MTB307254	PLATE
7	B19/MTL035255	SPACER
8	B19/MPNN31124	MARKER
9	B19/MPBP30119	CLAMP
10	B19/BRTG03943	SCREW (M3X13)
11	B19/BRTG05022	SCREW (M3X10)
12	B19/BRTG03830	SCREW (M3X8)
13	B19/BRTG03942	SCREW (M3X8)
14	B19/BRBP00131	CABLE CLAMP
	B19/BRTG03889	SCREW (M3-10)
	B19/BSLW03000B	WASHER (LW3)
	B19/MTB310143	SPACER

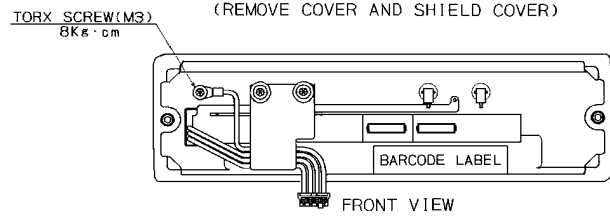
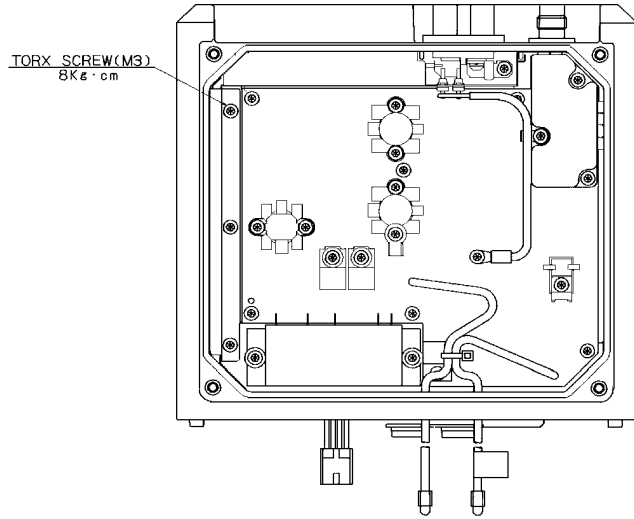
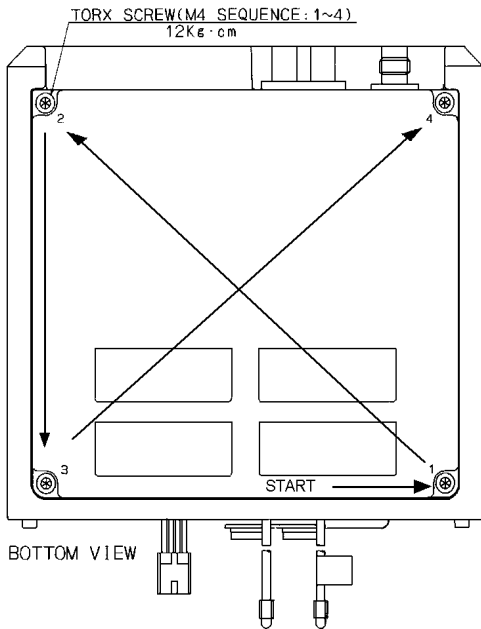
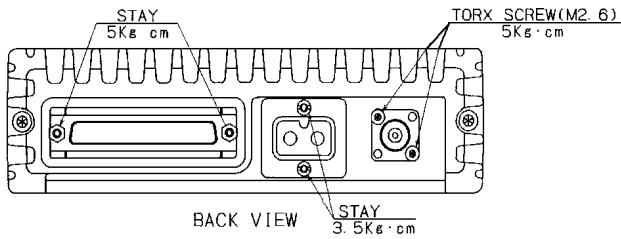
VHF LOW POWER (USA)

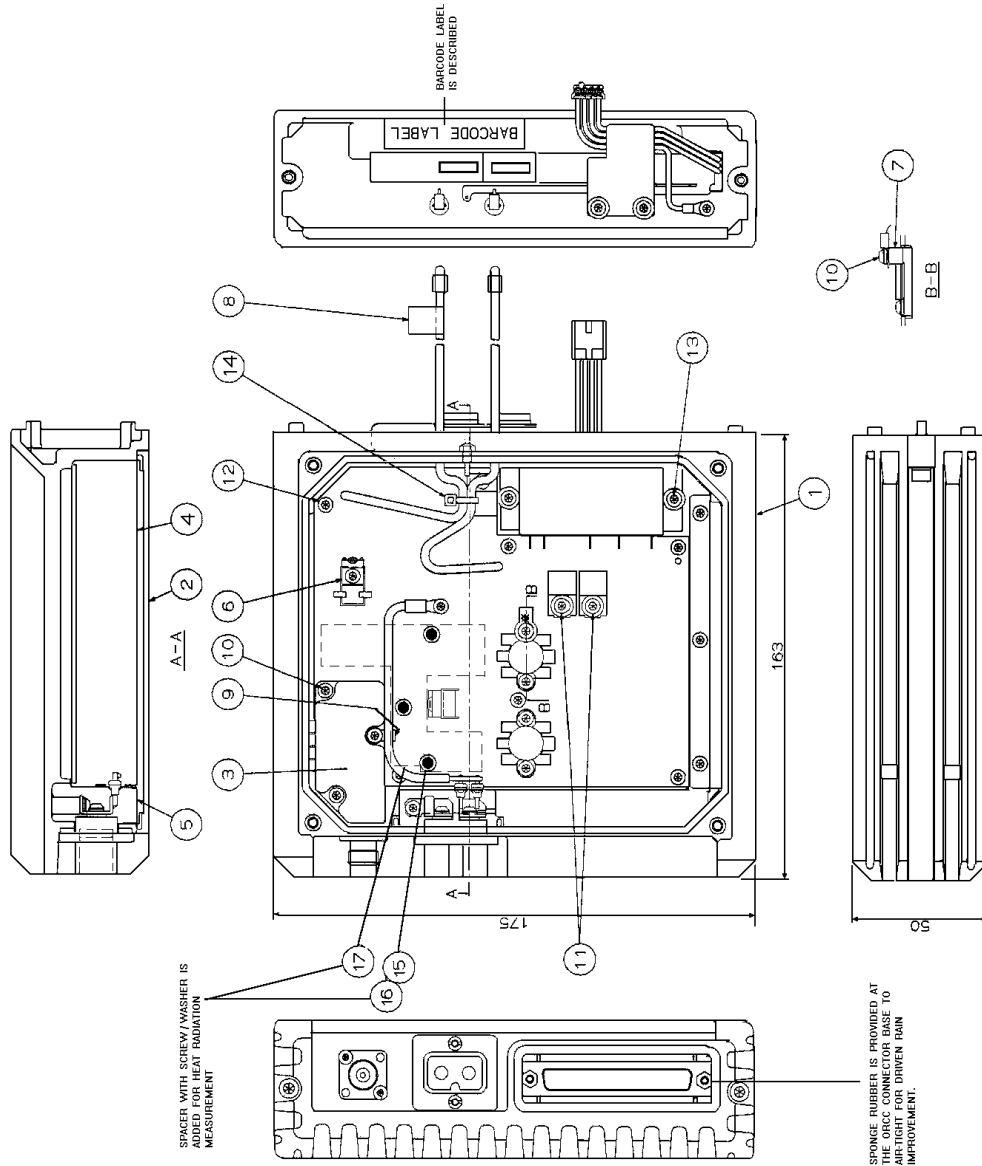
ITEM	PART NUMBER	DESCRIPTION
1	B19/MPBC30108C	FRAME (ASSY)
2	B19/MPBC30109B	COVER (ASSY)
3	B19/MPBC30693	CASE SHIELD (ASSY)
4	B19/MPBC30696	MPBC SHIELD (ASSY)
5	B19/MTB300290B	COVER SHIELD
	B19/MTB306383	SPACER
7	B19/MTL035255	SPACER
8	B19/MPNN31124	MARKER
9	B19/BPBP30119	CLAMP
10	B19/BRTG03943	SCREW (M3-13)
11	B19/BRTG05022	SCREW (M3-10)
12	B19/BRTG03830	SCREW (M3-8)
13	B19/BRTG03942	SCREW (M3-8)

VHF LOW POWER (EUROPEAN)

ITEM	PART NUMBER	DESCRIPTION
1	B19/MPBC30953	FRAME
2	B19/MPBC30752	COVER (ASSY)
3	B19/MPBC30820	COVER SHIELD (ASSY)
4	B19/MTC300047	COVER SHIELD
7	B19/MTL035255	SPACER
8	B19/MPNN31124	MARKER
10	B19/BRTG03943	SCREW (M3-13)
	B19/BSLW03000S	WASHER (LW3)
	B19/BRTG00198	WASHER
11	B19/BRTG05022	SCREW (M3-10)
12	B19/BRTG03830	SCREW (M3-8)
13	B19/BRTG03942	SCREW (M3-8)
14	B19/BRBP00131	CLAMP CABLE

POWER AMPLIFIER UNIT (VHF)
344A4572P5/P6 (B19/JHM-271PAH/BH) HIGH POWER
344A4572P1/P2 (B19/JHM-271PAE/PBE) LOW POWER EUROPEAN
344A4572P3/P4 (B19/JHM-271PAL/PBL) LOW POWER USA





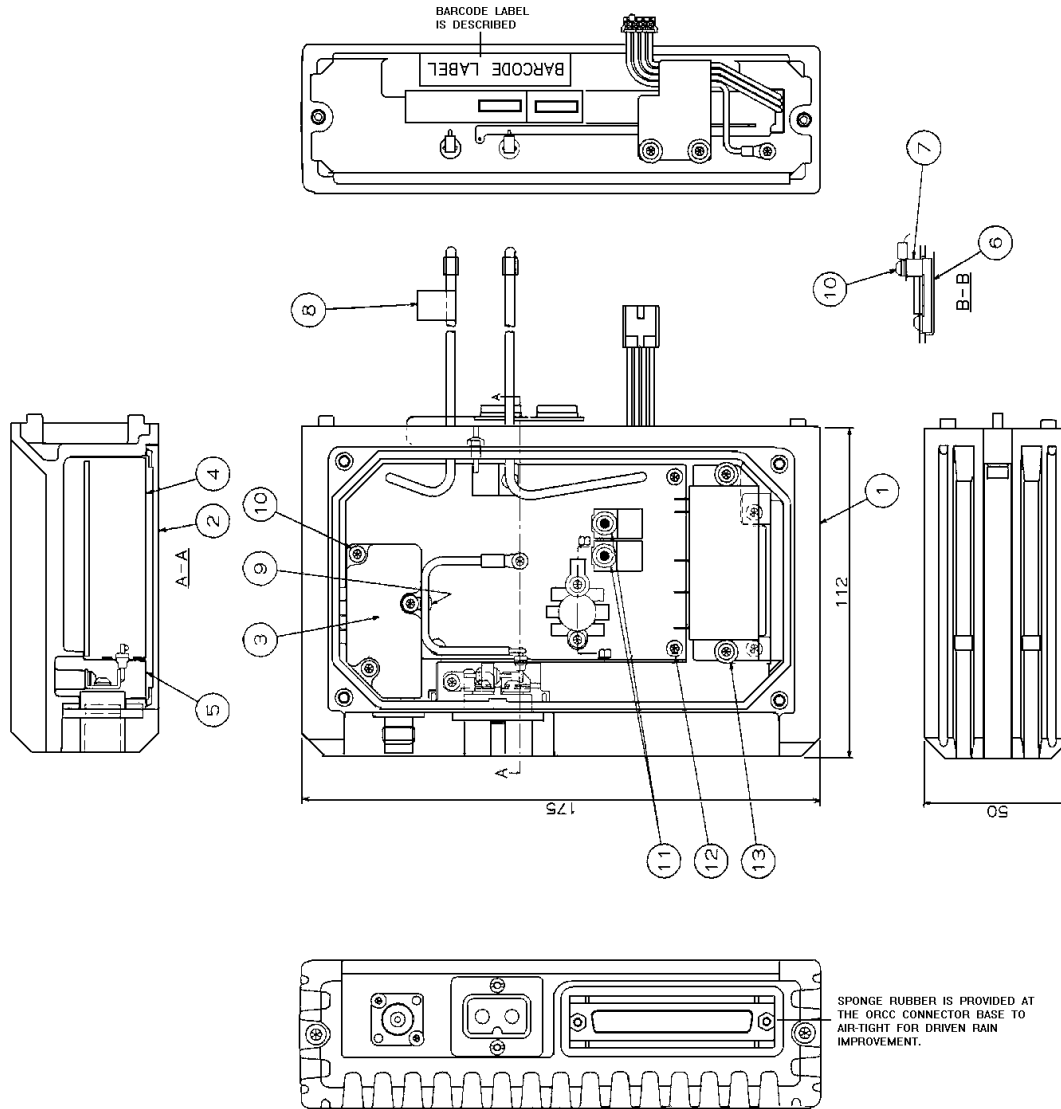
UHF

ITEM	PART NUMBER	DESCRIPTION
1	B19/MPBC30095C	FRAME (ASSY)
2	B19/MPBC30096B	COVER (ASSY)
3	B19/MPBC30693	CASE SHIELD (ASSY)
4	B19/MPB30695A	CASE SHIELD (ASSY)
5	B19/MTB300290B	CASE SHIELD
6	B19/MTB307254	PLATE
7	B19/MTL035255	SPACER
8	B19/MPNN31124	MARKER
9	B19/MPBP30119	CLAMP
10	B19/BRTG03943	SCREW (M3X13)
11	B19/BRTG05022	SCREW (M3X10)
12	B19/BRTG03830	SCREW (M3X8)
13	B19/BRTG03942	SCREW (M3X8)
14	B19/BRBP00131	CABLE CLAMP
15	B19/BRTG03889	SCREW (M3X10)
16	B19/BSLW030008	WASHER
17	B19/MTB310143	SPACER

800 & 900 MHz

ITEM	PART NUMBER	DESCRIPTION
1	B19/MPBC30108	FRAME (ASSY)
2	B19/MPBC30109	COVER (ASSY)
3	B19/MPBC30693	CASE SHIELD (ASSY)
4	B19/MPBC30696	COVER SHIELD (ASSY)
5	B19/MTB300290B	COVER SHIELD
6	B19/MTB309612	PLATE
7	B19/MTL035255	SPACER
8	B19/MPNN31124	MARKER
9	B19/BPBP30119	CLAMP
10	B19/BRTG03943	SCREW (M3-13)
11	B19/BRTG05022	SCREW (M3-10)
12	B19/BRTG03830	SCREW (M3-8)
13	B19/BRTG03942	SCREW (M3-8)

POWER AMPLIFIER UNIT(HIGH POWER)
344A4573P6/P7/P8 (B19/JHM-471 PAH/BH/CH) UHF
344A4574P2 (B19/JHM-871PH) 800 MHz
344A4575P2 (B19/JHM-971PH) 900 MHz



UHF (USA MODEL)

ITEM	PART NUMBER	DESCRIPTION
1	B19/MPBC30108C	FRAME (ASSY)
2	B19/MPBC30109B	COVER (ASSY)
3	B19/MPBC30693	CASE SHIELD (ASSY)
4	B19/MPBC30696	COVER SHIELD (ASSY)
5	B19/MTB300290B	COVER SHIELD
6	B19/MTB306383	SPACER
7	B19/MTL035255	SPACER
8	B19/MPNN31124	MARKER
9	B19/MPBP30119	CLAMP
10	B19/BRTG03943	SCREW (3X13)
11	B19/BRTG05022	SCREW (3X10)
12	B19/BRTG03830	SCREW (3X8)
13	B19/BRTG03942	SCREW (3X8)

UHF (EUROPEAN MODEL)

ITEM	PART NUMBER	DESCRIPTION
1	B19/MPBC30953	FRAME
2	B19/MPBC30752	COVER (ASSY)
3	B19/MPBC30820	COVER SHIELD (ASSY)
5	B19/MTC300047	COVER SHIELD
7	B19/MTL035255	SPACER
8	B19/MPNN31124	MARKER
9	B19/BRBP00131	CLAMP CABLE
10	B19/BRTG03943	SCREW (M3~13)
	B19/BSLW03000S	WASHER (LW3)
	B19/BRTG00198	WASHER
11	B19/BRTG05022	SCREW (M3~10)
12	B19/BRTG03830	SCREW (M3~8)
13	B19/BRTG03942	SCREW (M3~8)

800 & 900 MHz

ITEM	PART NUMBER	DESCRIPTION
1	B19/MPBC30108	FRAME (ASSY)
2	B19/MPBC30109	COVER (ASSY)
3	B19/MPBC30693	CASE SHIELD (ASSY)
4	B19/MPBC30696	COVER SHIELD (ASSY)
5	B19/MTB300290B	COVER SHIELD
6	B19/MTL035255	SPACER
7	B19/MPNN31124	MARKER
8	B19/BPBP30119	CLAMP
9	B19/BRTG03943	SCREW (M3~13)
10	B19/BRTG05022	SCREW (M3~10)
11	B19/BRTG03830	SCREW (M3~8)
12	B19/BRTG03942	SCREW (M3~8)
13	B19/MTB309612	PLATE

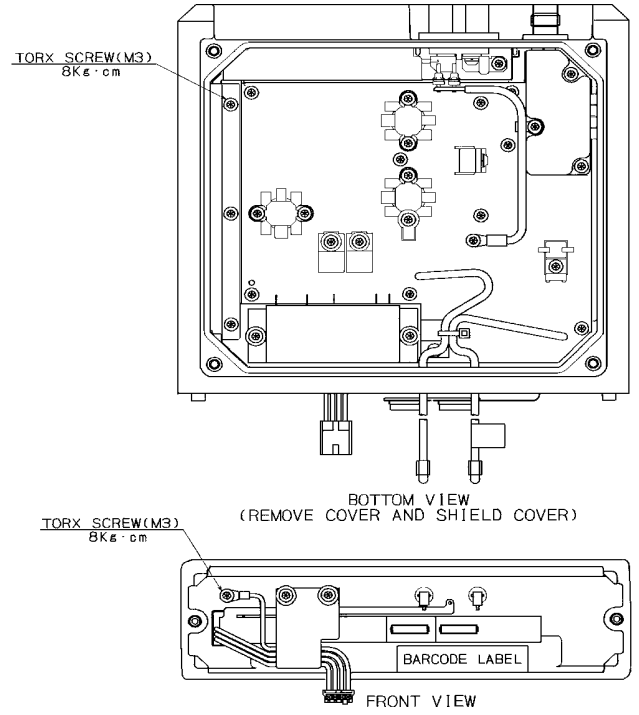
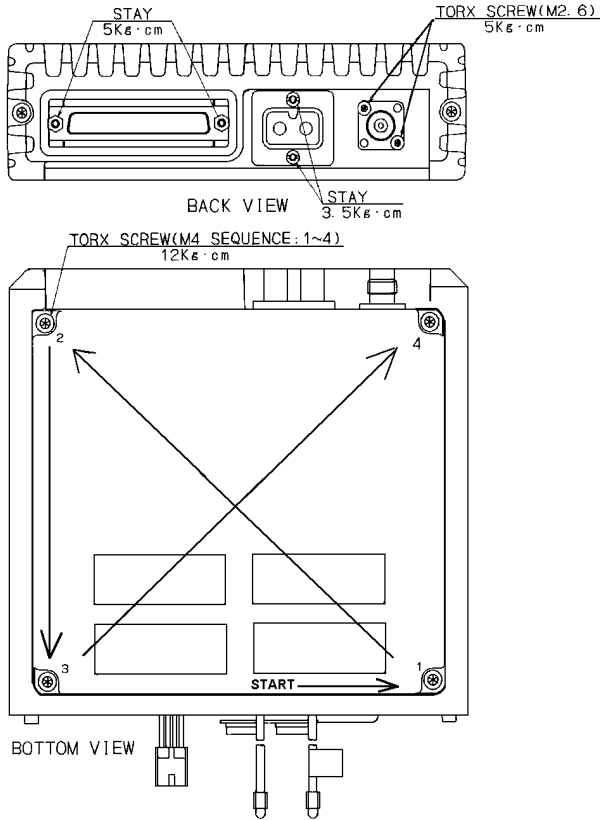
POWER AMPLIFIER UNIT (LOW POWER)

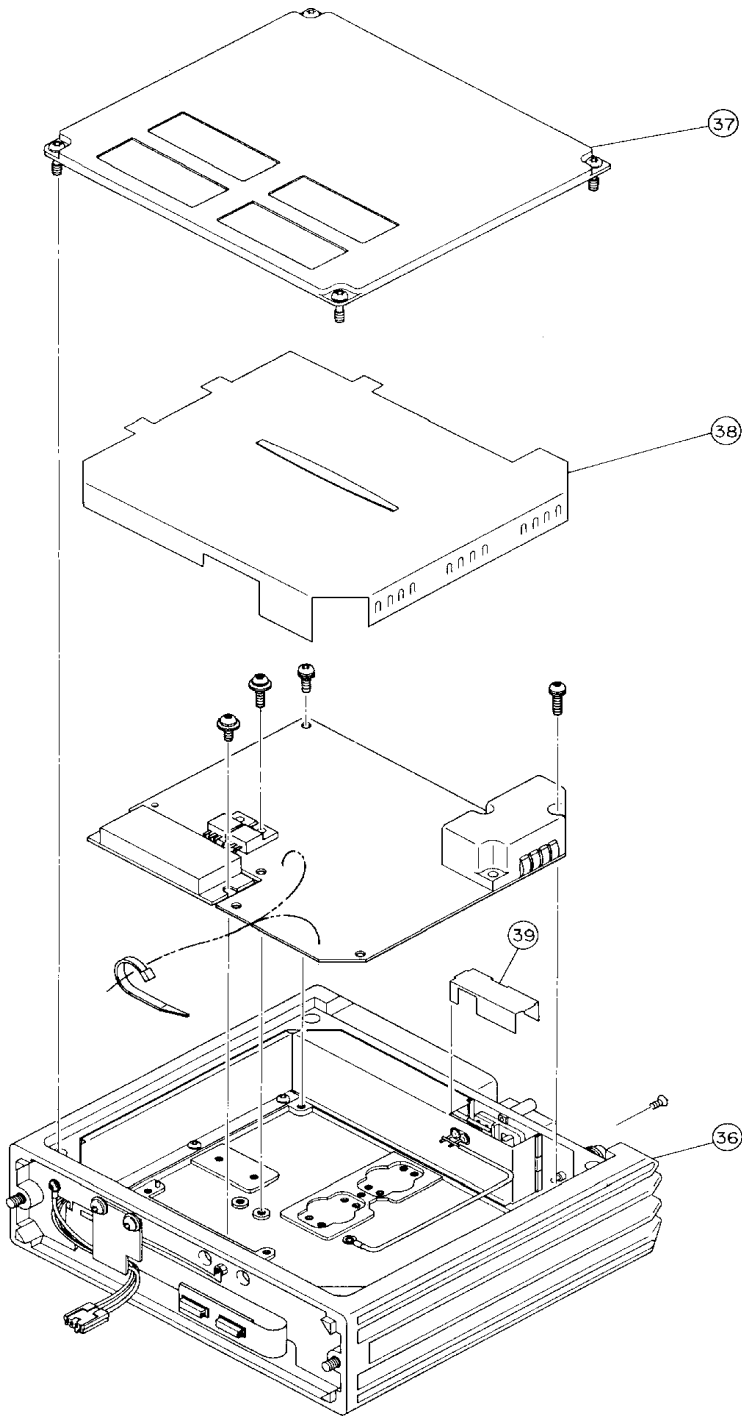
344A4573P3/P4/P5 (B19/JHM-471PAL/BL/CL) UHF

344A4573P1/P2 (B19/JHM-471/PAE/BE) UHF EUROPEAN

344A4574P1 (B19/JHM-871PL) 800 MHz

344A4575P1 (B19/JHM-971PL) 900 MHz





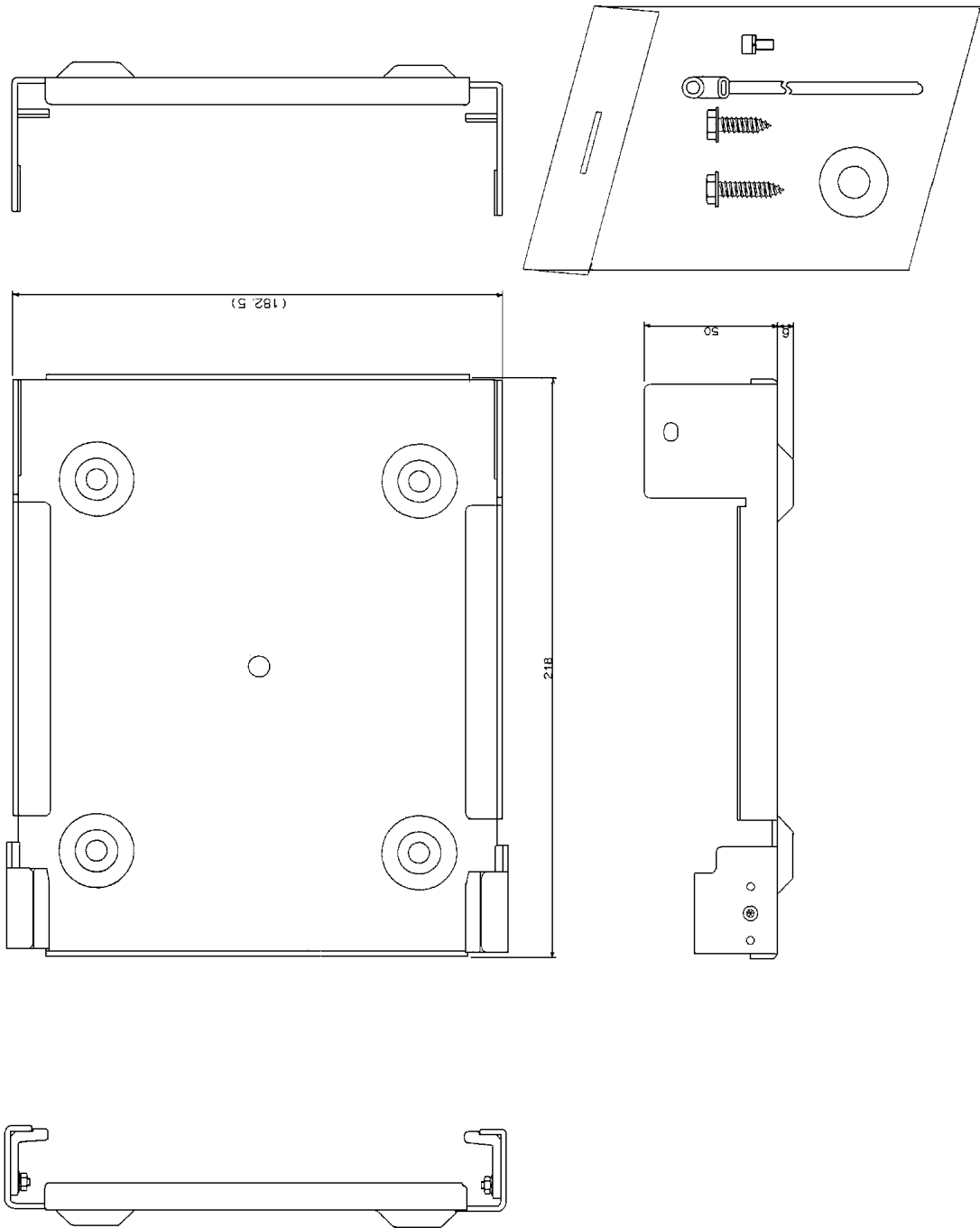
ITEM	PART NUMBER	DESCRIPTION
36	B19/MPBC30095C	Frame
37	B19/MPBC30096B	Top Cover
38	B19/MPBC30695A	Case Shield
39	B19/MPBC30693	Case Shield

POWER AMPLIFIER UNIT (EXPLODED VIEW)

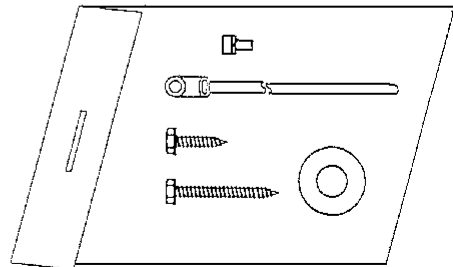
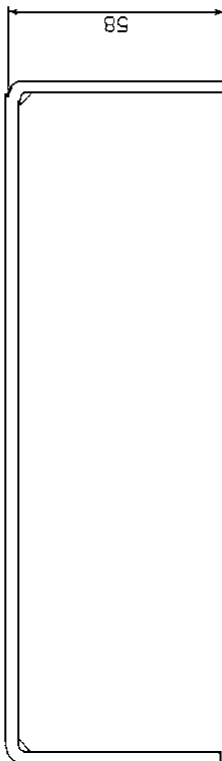
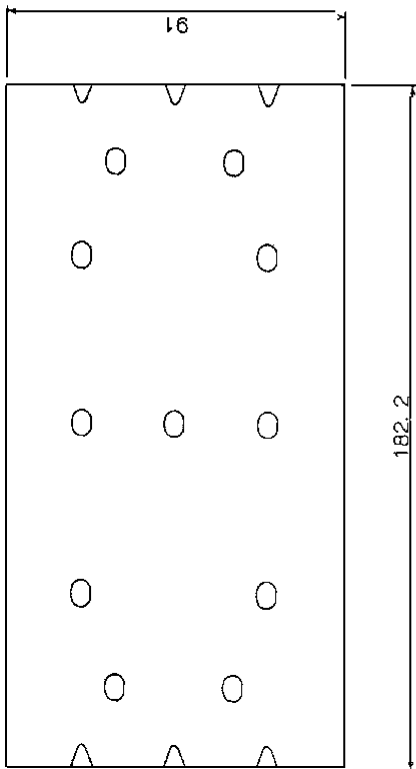
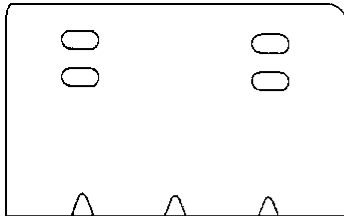
**OPTION
NQZ-4881
MECHANICAL PARTS**

ITEM	PART NUMBER	DESCRIPTION
1	B19/NQZ-4881OPT	CASSETTE MOUNT
2	B19/MPBX30085	RIA MOUNTING BRACKET
3	B19/MPBX21706	TRAY MOUNTING BRACKET
4	B19/MPBX31233	FRONT MOUNTING BRACKET
5	B19/MPPK01853B	GASKET (TRX-PA)
6	B19/MPPK30050	GASKET (CU-TRX)
7	B19/MPBC30728	FRONT COVER (TRX)
8	B19/MPNM30271	LABEL C/U (COM-NET ERICSSON)
9	B19/MPNM30280A	LABEL C/U (ERIC)
10	B19/MPNL30408	LABEL FRONT COVER (COM-NET ERICSSON)
11	B19/MPNL30409	LABEL FRONT COVER (ERIC)
12	B19/MPTG30015	SCREW (M3-14)
13	B19/BRTG00339	WASHER (M3)
14	B19/MPHD30066	STANDARD SYSTEM KEYCAP KIT
15	B19/MPHD30067	OPTIONAL SYSTEM KEYCAP KIT
16	B19/MPHD30068	OPTIONAL SCAN KEYCAP KIT
17	B19/MPDM30036	KEYLOCK FOR TRANSCEIVER
18	B19/MPTC30026	SCAN KEYCAP EXTRACTOR
19	B19/MPTC30027	SYSTEM KEYCAP EXTRACTOR
20	B19/MPTG30006	SCREW (M4-20)
21	B19/BRTG00198	WASHER (M4)

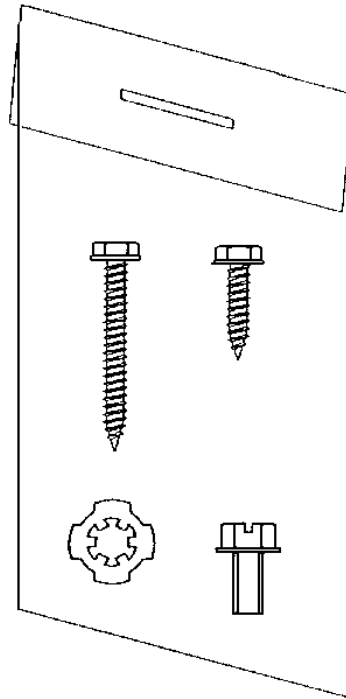
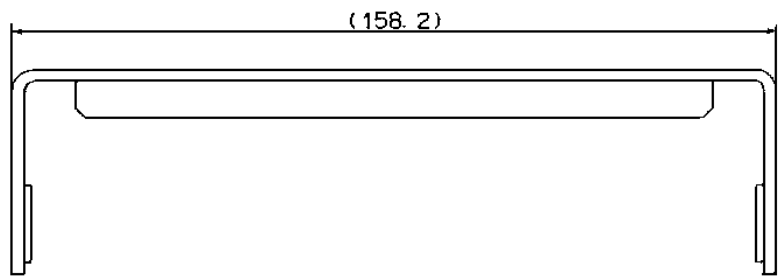
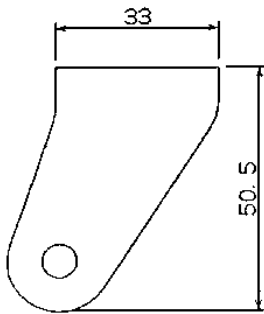
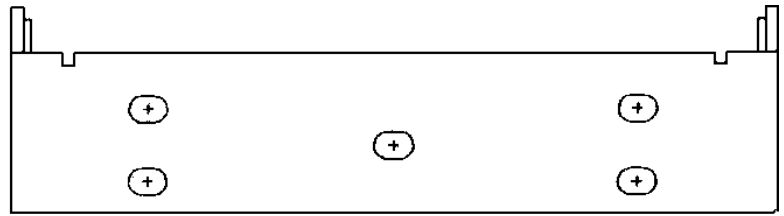
SYMBOL	PART NUMBER	DESCRIPTION
F601	B19/5ZFAP00008	5A Fuse (Used on IF Logic Board).
K601	B19/5KLAC00112	Relay 9V JY9H-K (Used on IF Logic Board).
CD201	B19/5TZAD00560	Orange Opto Diode TL0205 (Used on Control Panel).
CD202	B19/5TZAD00296	Red Opto Diode TLR205 (Used on Control Panel).
VFD201	B19/7WSLD00004	Vacuum Florescent Display (Used on Control Panel).
S1	B19/5SZJC00021	Rotary Switch (Used on Control Unitl).
S2	B19/5RVAC00106	Volume Control (Used on Control Unit).
PC1	B19/6PCLC00307	Flex PC Board Volume/Selector switch (Used on Control Unitl).
PC2	B19/6PCLD00321	Flex PC Board Ribbon Flex Cable (Used on Control Unit).
J1001	B19/5JADB00005	TNC RF Connector (Used on PA Assembly).
J1002	B19/5JWAV00159	DC Power Jack (Used on PA Assembly).
J1004	B19/5JWAH01075	Speaker Connector (Used on PA Assembly).
J1003	B19/5JBAH0033	Connector DB-37 Pin Female ((Used on USA PA Interface Board
J1003	B19/5JBAH00334	Coonnector DB-37 Pin Male (Used on European PA Interface Board).
CD1001	B19/5TXAM00019	Diode 6A 100 PIV MR751 (Used in PA Assembly)
J102	B19/5JWHZ00048	Microphone Connector 9 Pins (Used on Switch Board).



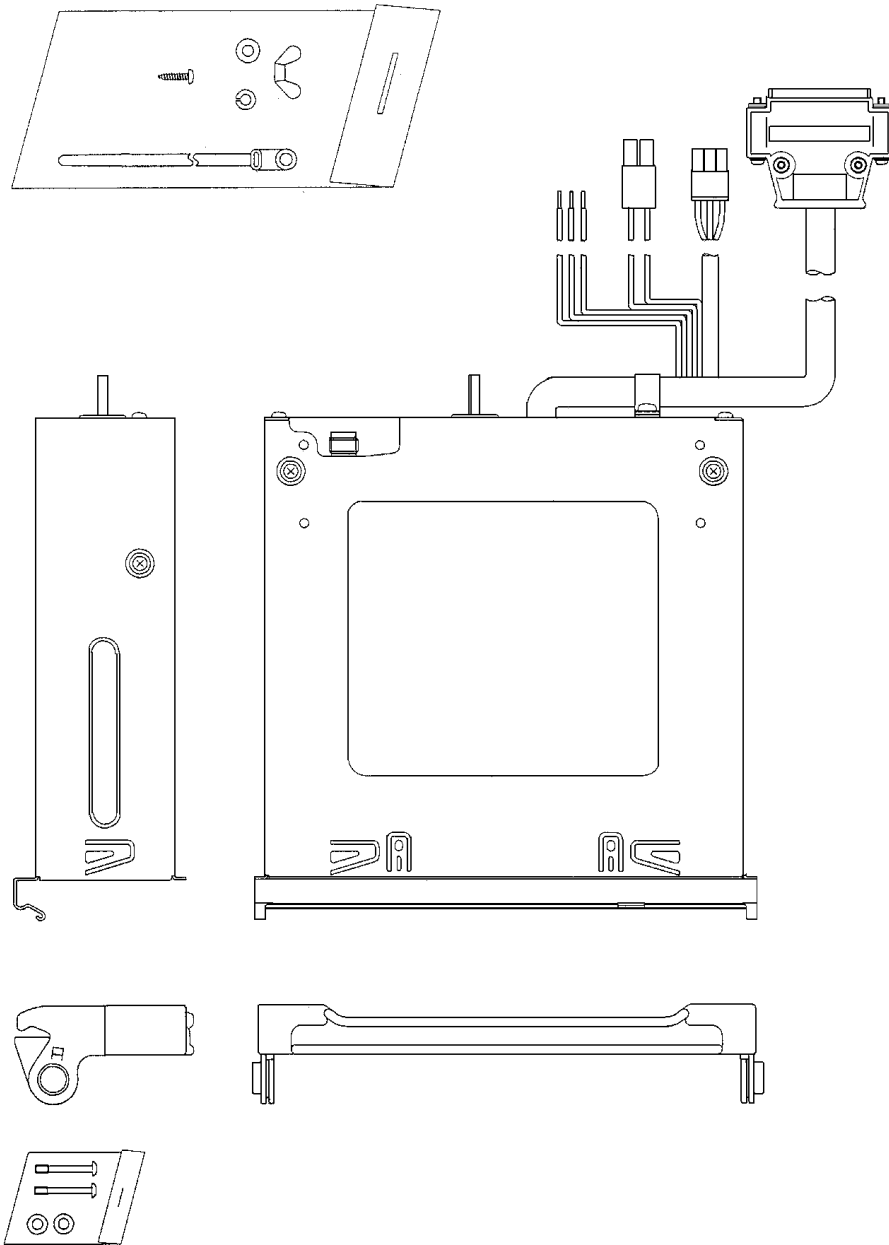
**TRAY MOUNTING BRACKET WITH HARDWARE KIT
19B802673P1 (B19/MPBX21706)**



**FRONT MOUNTING BRACKET WITH HARDWARE KIT
19B802672P1 (B19/MPBX31233)**



**RIA MOUNTING BRACKET WITH HARDWARE KIT
19B802472P1 (B19/MPBX30085)**



**CASSETTE MOUNT WITH HARDWARE KIT
19C852366P1 (B19/NQZ-4881OPT)**

This page intentionally left blank.

