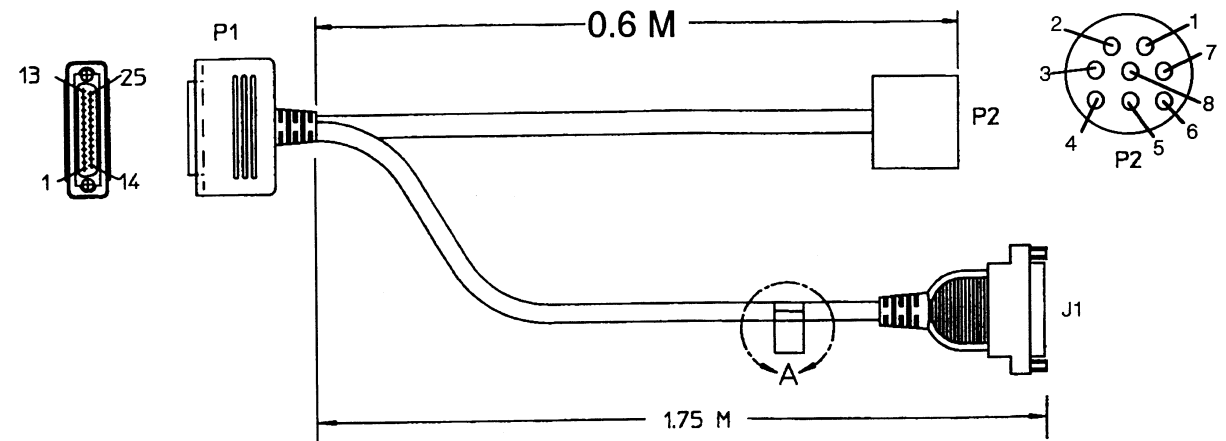


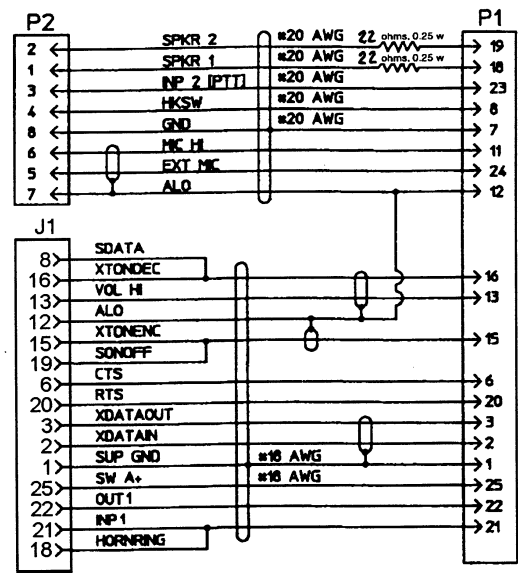
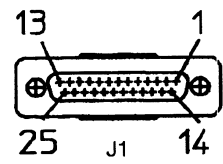
REVISIONS			
REV	DESCRIPTION	DATE	APPROVED
16	ISSUED AT THIS REV.	10 JAN 95	W.M.
17	ADDED SHEET	06 FEB 95	M.S.F.
18	CORRECTED ERROR IN WIRING DIAGRAM	10 FEB 95	M.S.F.
19	CHG'D P3 TO J1	2 MAR 95	M.S.F.
20	ADDED J1 DUST COVER	R.LANDRY 18 MAY 95	M.A.F.
21	NO CHANGE		
22	AN - 20679	20 MAY 95	MAK
23-24		NO CHANGE	



REQUIREMENTS (OR ENGINEERING APPROVED EQUIVALENTS)

- CABLE SHALL BE ASSEMBLED AS SHOWN AND CONNECTED PER WIRE CHART.
- P1 TO BE A 25 POSITION D-SUBMINATURE PLUG SIMILAR TO AMP 205208-1 WITH AMP 1-745229-1 TERMINALS FOR #18 & #20 AWG, AND 1-745254-4 TERMINALS FOR #24 AWG WIRE.
- P2 TO BE AN AMP 172192-1 PLUG HOUSING WITH AMP 170279-1 CONTACTS. RUBBER SEAL 172193-1 AND O-RING 172190-1 ARE ALSO USED.
- J1 TO BE A 25 POSITION D-SUBMINATURE RECEPTACLE SIMILAR TO AMP 205207-1 WITH AMP 1-745230-1 TERMINALS FOR #18 AWG AND 1-745253-4 TERMINALS FOR #24 AWG WIRE.
- P1 TO J1 CABLE MATERIAL TO BE PER 7139680P27 CONSISTING OF AT LEAST 7 #18 AWG (16/30) AND 15 #24 (7/32) WIRES.
- P1 TO P2 CABLE MATERIAL TO BE C&H #15946.
- P1 TO BE OVERMOLDED PER 19D904368P2. P2 REQUIRES NO OVERMOLDING. J1 TO BE OVERMOLDED PER 19D904368P3.
- VENDOR TO ATTACH 25 PIN RECEPTACLE SUB-D DUST COVER DB-59-20 TO J1.
- CABLE TO BE PERMANENTLY MARKED WITH PART NUMBER AND REVISION LETTER (19B802554P24, REV.A).

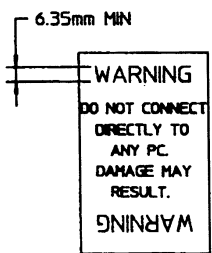
24 MOTORCYCLE ACCESSORY CABLE



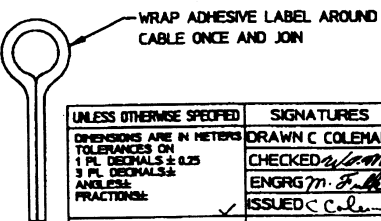
PURCHASE FROM AN APPROVED VENDOR

PURCHASING TO SUPPLY VENDOR WITH COPIES OF THIS DRAWING AND 19A700070

MATERIAL MUST MEET EDGE INCOMING INSPECTION AND TEST SAMPLE PER 19A700070



DETAIL A FLAG TYPE WARNING LABEL

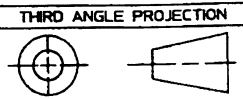


UNLESS OTHERWISE SPECIFIED	SIGNATURES	DATE
DIMENSIONS ARE IN METERS	DRAWN C COLEMAN	10 JAN 95
TOLERANCES ON 1 PL. DECIMALS ± 0.25	CHECKED <i>[Signature]</i>	10 JAN 95
3 PL. DECIMALS ± 0.125	ENGRG <i>[Signature]</i>	10 JAN 95
ANGLES: FRACTIONAL	ISSUED C. Cole	10 JAN 95

ERICSSON ERICSSON GE MOBILE COMMUNICATIONS INC. MOUNTAIN VIEW ROAD LYNCHBURG, VIRGINIA 24502

CABLE, DELTA II

FMF	D2 MOBILE	SIZE B	FSCM NO	DWG NO	19B802554
FCFO	INDEX 344A4100	SCALE		SHEET	24 CONT ON 25



DIST TO L36