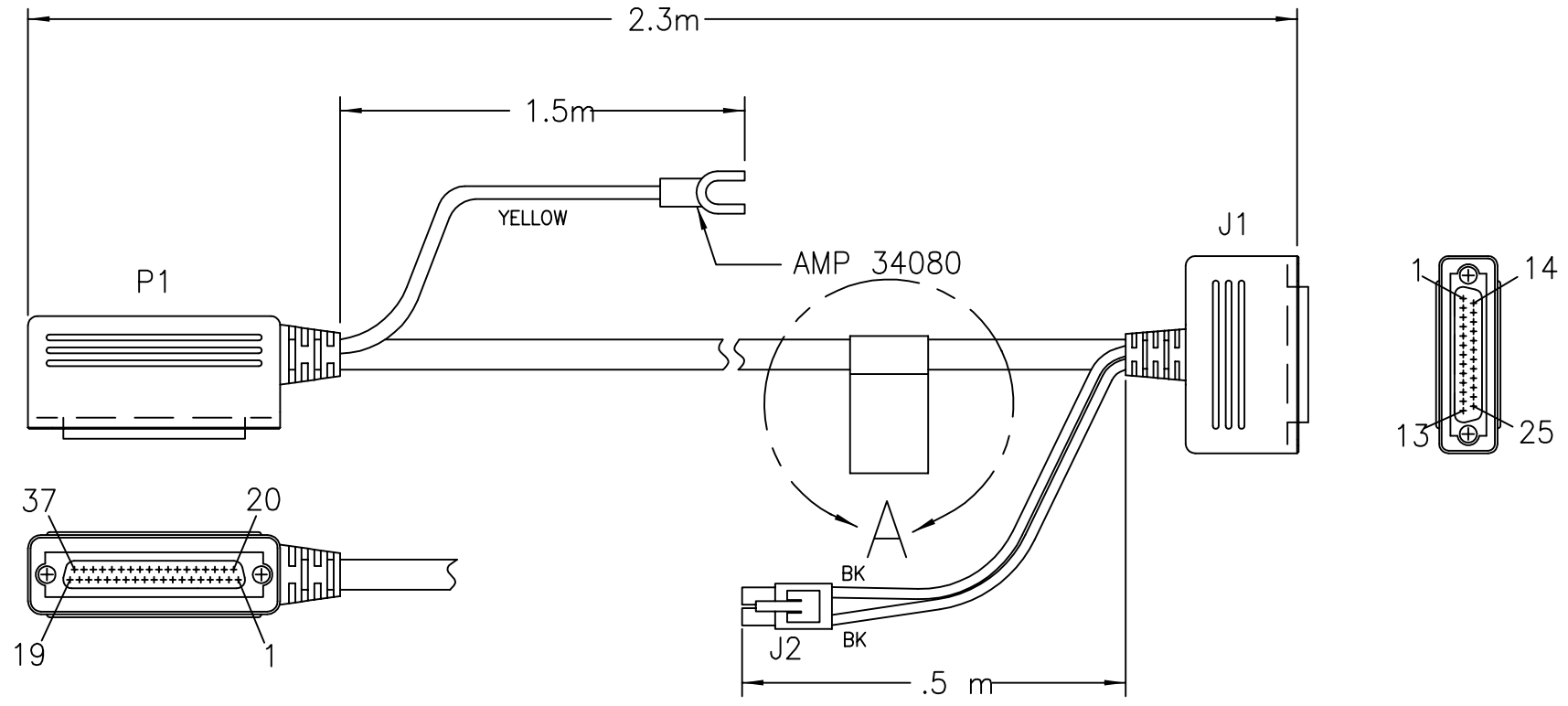
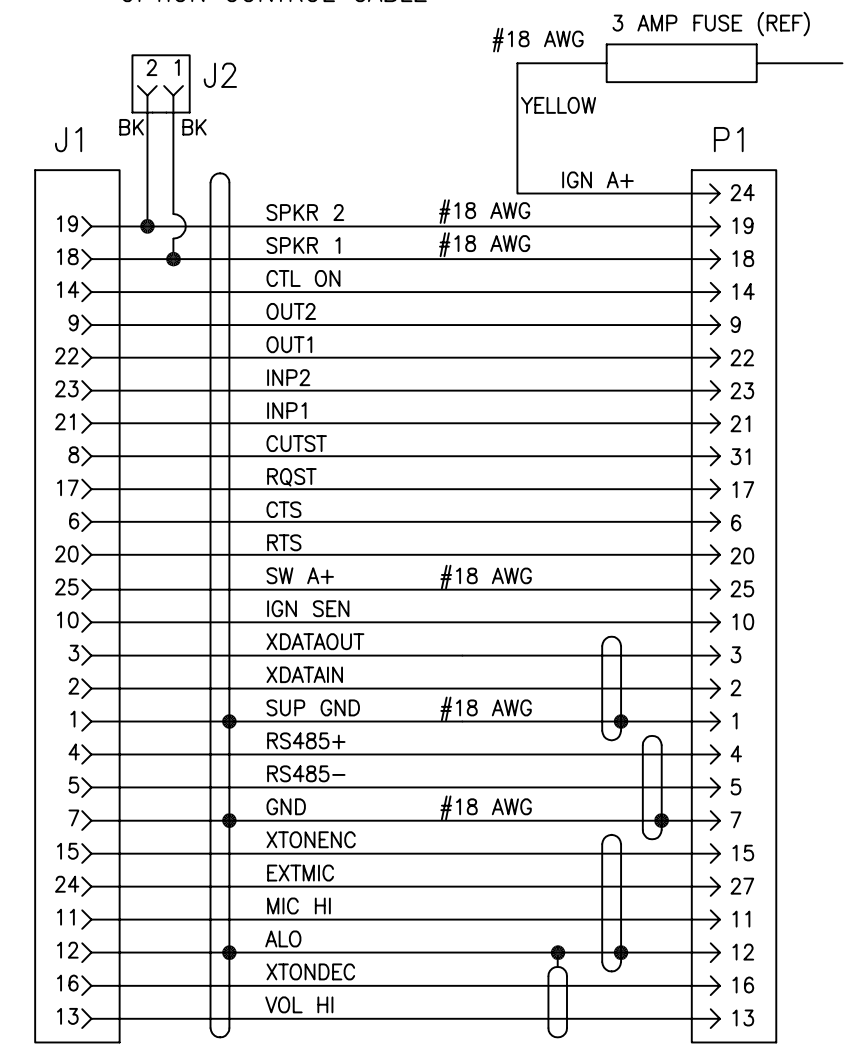


REVISIONS			
REV	DESCRIPTION	DATE	APPROVED
16	ISSUED AT THIS REV	12/2/94	MSF
17	RECORD C. COLEMAN		
18-21	NO CHANGE		
22	AN-20679	20MAY96	WK
23-27	NO CHANGE		

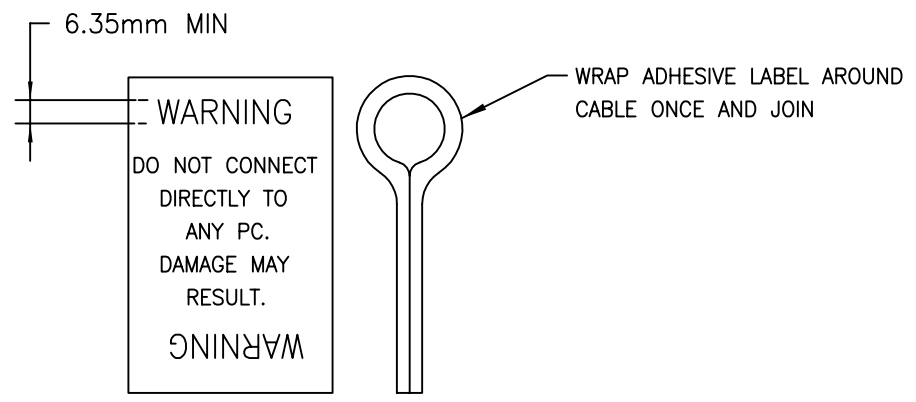


PART 23 REMOTE MOUNT MOTORCYCLE EXTENDED OPTION CONTROL CABLE



REQUIREMENTS (OR ENGINEERING APPROVED EQUIVALENTS)

- CABLE SHALL BE ASSEMBLED AS SHOWN AND CONNECTED PER WIRE CHART.
- P1 TO BE A 37 POSITION D-SUBMINATURE PLUG SIMILAR TO AMP 205210-1 WITH AMP 1-745229-1 TERMINALS FOR #18 AWG AND 1-745254-4 TERMINALS FOR #24 AWG WIRE.
- J1 TO BE A 25 POSITION D-SUBMINATURE RECEPTACLE SIMILAR TO AMP 205207-1 WITH AMP 1-745230-1 TERMINALS FOR #18 AWG AND 1-745253-4 TERMINALS FOR #24 AWG WIRE.
- J2 TO BE AN ALEX 6420-02MI WITH 7006T1 CONTACTS.
- CABLE MATERIAL TO BE PER 7139880P29 CONSISTING OF AT LEAST 20 #24 AWG (7/32) AND 6 #18 AWG (16/30) WIRES.
- P1 TO BE OVERMOLDED PER 19D904368P1.
J1 TO BE OVERMOLDED PER 19D904368P2.
- CABLE TO BE BAGGED AND PERMANENTLY MARKED WITH PART NUMBER AND REVISION LETTER (19B802554P23, REV.A).

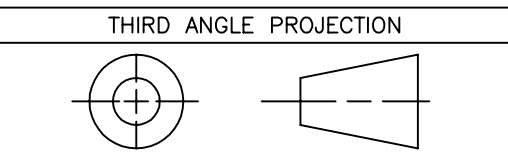


DETAIL A
FLAG TYPE WARNING LABEL

- FUSE TO BE SUPPLIED UNASSEMBLED. THE FOLLOWING ITEMS ARE TO BE PACKAGED IN A PLASTIC BAG AND ATTACHED TO CABLE ASM: FUSEHOLDER (BUSSMANN HFB, QTY 1) AND FUSE (3 AMP 250 VOLT BUSSMANN AGC-3, QTY 1)

PURCHASE FROM AN APPROVED VENDOR

PURCHASING TO SUPPLY VENDOR MATERIAL MUST MEET EGE
WITH COPIES OF THIS DRAWING INCOMING INSPECTION AND TEST
AND 19A700070 SAMPLE PER 19A700070



UNLESS OTHERWISE SPECIFIED	SIGNATURES	DATE
DIMENSIONS ARE IN METERS TOLERANCES ON 1 PL DECIMALS ± 0.25 3 PL DECIMALS ± ANGLES ± FRACTIONS ±	DRAWN B. BOWLES	12/2/94
	CHECKED	
	ENGRG WAM	12/2/94
	ISSUED MSF	12/2/94
	FMF D2 MOBILE	SIZE B FSCM NO
	FCFO INDEX 344A4100	SCALE

ERICSSON ERICSSON GE MOBILE COMMUNICATIONS INC.
MOUNTAIN VIEW ROAD · LYNCHBURG, VIRGINIA 24502

CABLE, DELTA II

DWG NO 19B802554

SHEET 23 CONT ON 24

L36
DIST TO