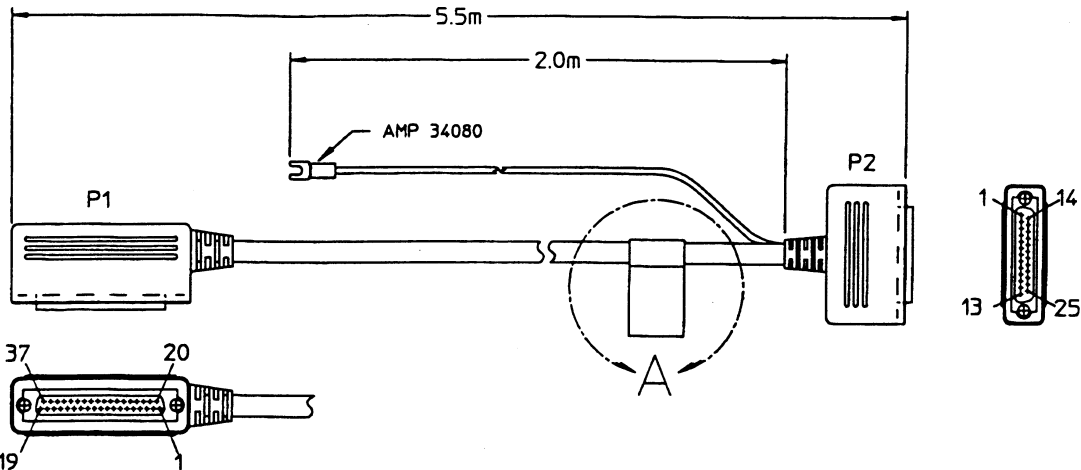
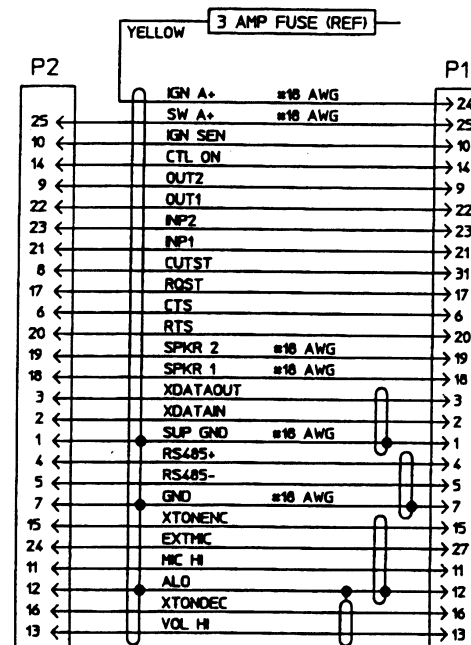


REVISIONS			
REV	DESCRIPTION	DATE	APPROVED
1	AN 17640	1FEB93	P. W. MAY
2	AN 17867	12APRIL93	P. W. MAY
3	AN 19074	21JUL93	W.A. MULLER
4	AN 19147	24AUG93	W.A. MULLER
5-24	NO CHANGE		

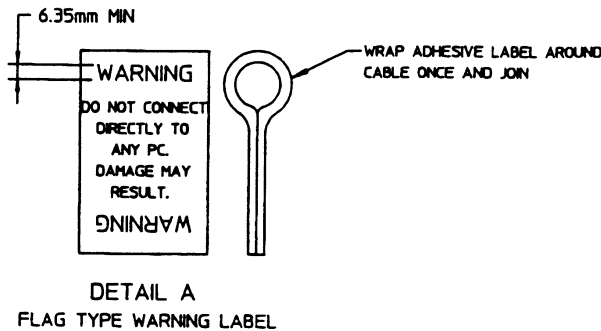


PART ④ REMOTE MOUNT EXTENDED OPTION CONTROL CABLE



REQUIREMENTS (OR ENGINEERING APPROVED EQUIVALENTS)

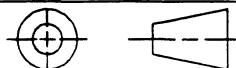
- CABLE SHALL BE ASSEMBLED AS SHOWN AND CONNECTED PER WIRE CHART.
- P1 TO BE A 37 POSITION D-SUBMINATURE PLUG SIMILAR TO AMP 205210-1 WITH AMP 1-745229-1 TERMINALS FOR #18 AWG AND 1-745254-4 TERMINALS FOR #24 AWG WIRE.
- P2 TO BE A 25 POSITION D-SUBMINATURE RECEPTACLE SIMILAR TO AMP 205207-1 WITH AMP 1-745230-1 TERMINALS FOR #18 AWG AND 1-745253-4 TERMINALS FOR #24 AWG WIRE.
- CABLE MATERIAL TO BE PER 7139880P29 CONSISTING OF AT LEAST 20 #24 AWG (7/32) AND 6 #18 AWG (16/30) WIRES.
- P1 TO BE OVERHOLDED PER 190904360P1.
P2 TO BE OVERHOLDED PER 190904360P2.
- FUSE TO BE SUPPLIED UNASSEMBLED. THE FOLLOWING ITEMS ARE TO BE PACKAGED IN A PLASTIC BAG AND ATTACHED TO CABLE ASM:
FUSEHOLDER (BUSSMAN HFB), FUSE (3 AMP 250 VOLT BUSSMAN AGC3).
- CABLE TO BE PERMANENTLY MARKED WITH PART NUMBER (19B802554P4).



PURCHASE FROM AN APPROVED VENDOR
 PURCHASING TO SUPPLY VENDOR MATERIAL MUST MEET EGE
 WITH COPIES OF THIS DRAWING INCOMING INSPECTION AND TEST
 AND 19A700070 AND 19A700070 SAMPLE PER 19A700070

UNLESS OTHERWISE SPECIFIED DIMENSIONS ARE IN METERS TOLERANCES ON 1 PL. DECIMALS ± 0.25 3 PL. DECIMALS ± ANGLE ± FRACTIONS ±	SIGNATURES	DATE	ERICSSON GE. MOBILE COMMUNICATIONS INC. MOUNTAIN VIEW ROAD LYNCHBURG, VIRGINIA 24502
	DRAWN P. W. MAY	07 JAN 93	
	CHECKED & REVIEWED	12 JAN 93	
	ENGRG P. W. MAY	12 JAN 93	
	ISSUED P. W. MAY	12 JAN 93	
CABLE, DELTA II			
FMF	DZ MOBILE	SIZE B	FSCH NO
FCFO	INDEX 344A4100	SCALE	DWG NO 19B802554
			SHEET 4 CONT ON 5

THIRD ANGLE PROJECTION



DIST L36