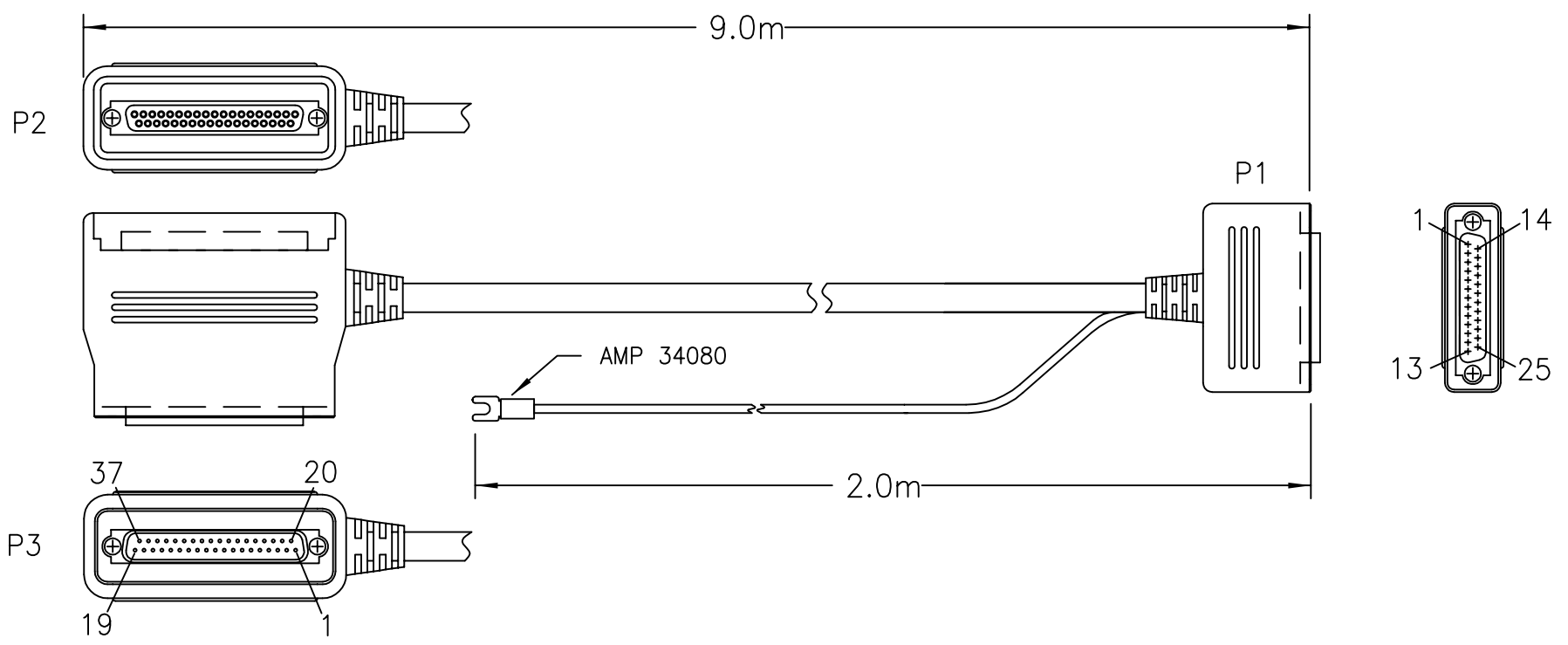


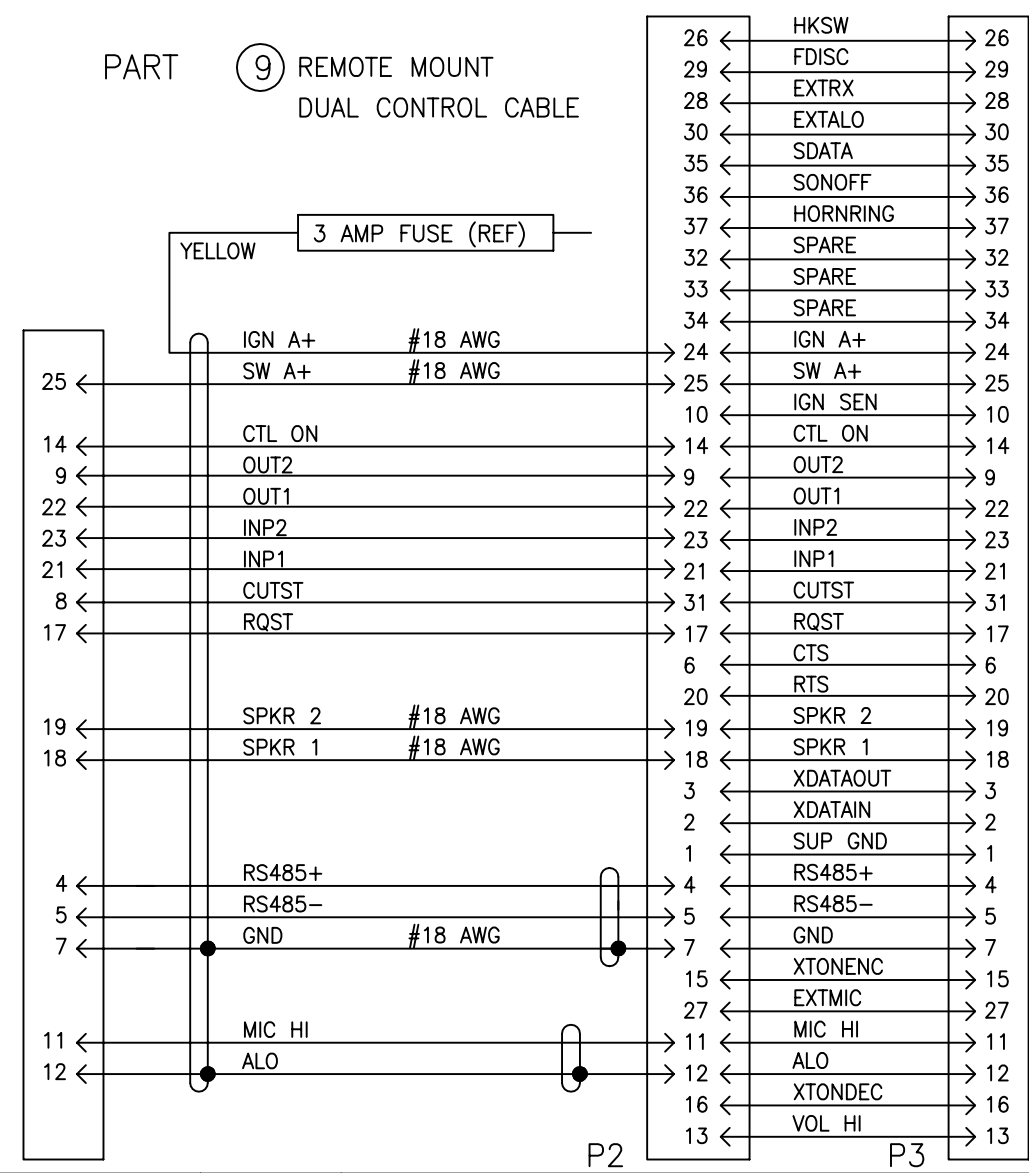
REVISIONS			
REV	DESCRIPTION	DATE	APPROVED
1	AN 17640	1FEB93	P. W. MAY
2	AN 17867	12APRIL93	P. W. MAY
3	NO CHANGE		
4	AN 19147	24AUG93	W.A. MULLER
5-11	NO CHANGE		
12	AN19693	1MAY94	W.A. MULLER
13-19	NO CHANGE		
20	CORRECTED REV. BLOCK	18MAY95	G. REYNOLDS
21-27	NO CHANGE		



REQUIREMENTS (OR ENGINEERING APPROVED EQUIVALENTS)

- CABLE SHALL BE ASSEMBLED AS SHOWN AND CONNECTED PER WIRE CHART.
- P1 TO BE A 25 POSITION D-SUBMINATURE RECEPTACLE SIMILAR TO AMP 205207-1 WITH AMP 1-745230-1 TERMINALS FOR #18 AWG AND 1-745253-4 TERMINALS FOR #24 AWG WIRE.
- P2 TO BE A 37 POSITION D-SUBMINATURE RECEPTACLE SIMILAR TO AMP 205209-1 WITH AMP 1-745230-1 TERMINALS FOR #18 AWG AND 1-745253-4 TERMINALS FOR #24 AWG WIRE.
- P3 TO BE A 37 POSITION D-SUBMINATURE PLUG SIMILAR TO AMP 205210-1 WITH AMP 1-745229-1 TERMINALS FOR #18 AWG AND 1-745254-4 TERMINALS FOR #18 AWG WIRE.
- CABLE MATERIAL TO BE PER 7139880P28 CONSISTING OF AT LEAST 6 #24 AWG (7/32) AND 5 #18 AWG (16/30) WIRES AND SHIELDED AS SHOWN.
- P1 TO BE OVERMOLDED PER 19D904368P2.
P2/P3 TO BE OVERMOLDED PER 19D904368P5.
- FUSE TO BE SUPPLIED UNASSEMBLED. THE FOLLOWING ITEMS ARE TO BE PACKAGED IN A PLASTIC BAG AND ATTACHED TO CABLE ASM:
FUSEHOLDER (BUSSMAN HFB), FUSE (3 AMP 250 VOLT BUSSMAN AGC3).
- CABLE TO MARKED PERMANENTLY WITH PART NUMBER (19B802554P9).

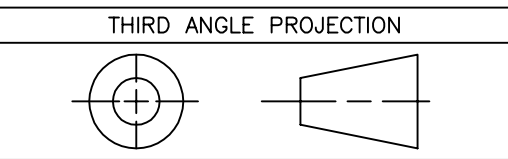
PART ⑨ REMOTE MOUNT DUAL CONTROL CABLE



PURCHASE FROM AN APPROVED VENDOR

PURCHASING TO SUPPLY VENDOR WITH COPIES OF THIS DRAWING AND 19A700070

MATERIAL MUST MEET EGE INCOMING INSPECTION AND TEST SAMPLE PER 19A700070



UNLESS OTHERWISE SPECIFIED	SIGNATURES	DATE
DIMENSIONS ARE IN METERS TOLERANCES ON 1 PL DECIMALS ± 0.25 3 PL DECIMALS ± ANGLES ± FRACTIONS ±	DRAWN P. W. MAY	07JAN93
	CHECKED G. REYNOLDS	12JAN93
	ENGRG P. W. MAY	12JAN93
	ISSUED P. W. MAY	12JAN93

ERICSSON ERICSSON GE MOBILE COMMUNICATIONS INC. MOUNTAIN VIEW ROAD · LYNCHBURG, VIRGINIA 24502

CABLE, DELTA II

FMF	D2 MOBILE	SIZE B	FSCM NO	DWG NO 19B802554
FCFO	INDEX 344A4100	SCALE		SHEET 7 CONT ON 8

L36
DIST TO