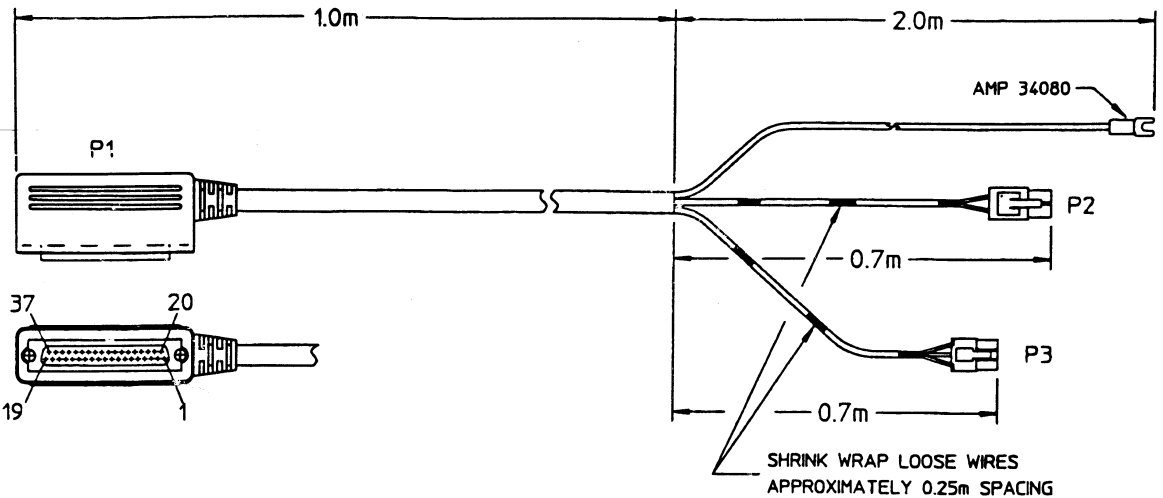
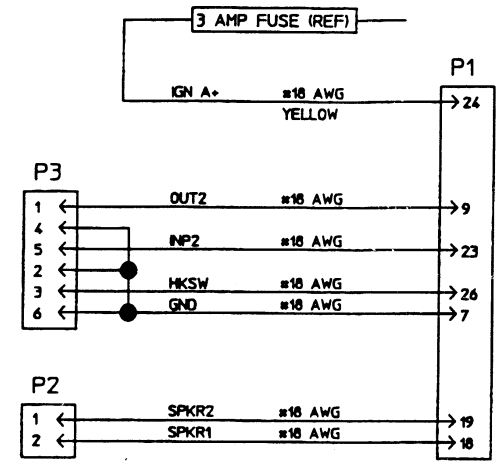


REVISIONS			
REV	DESCRIPTION	DATE	APPROVED
1	AN 17640	1FEB93	P. W. MAY
2	AN 17867	12APRIL93	P. W. MAY
3	NO CHANGE	21JUL93	W.A. MULLER
4	AN 19147	24AUG93	W.A. MULLER
5-24	NO CHANGE		

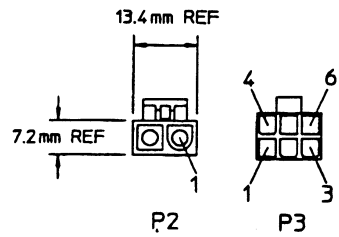


① FRONT MOUNT ACCESSORY CABLE



REQUIREMENTS (OR ENGINEERING APPROVED EQUIVALENTS)

- CABLE SHALL BE ASSEMBLED AS SHOWN AND CONNECTED PER WIRE CHART.
- P1 TO BE A 37 POSITION D-SUBMINIATURE PLUG SIMILAR TO AMP 205210-1 WITH AMP 1-745229-1 TERMINALS FOR #18 AWG.
- P2 TO BE AN ALEX 6420-02M WITH 7006T1 CONTACTS.
- P3 TO BE A MOLEX MIN-FIT JR. 39-01-2065 RECEPTACLE WITH 39-00-0059 TERMINALS. MATING CONNECTOR (MOLEX 39-01-2066) AND 6 MATING TERMINALS (MOLEX 39-01-0060) TO BE SUPPLIED UNASSEMBLED IN PLASTIC BAG WITH CABLE.
- CABLE MATERIAL TO BE PER 7139880P26 CONSISTING OF 7 #18 AWG (16/30) WIRES.
- P1 TO BE OVERMOLDED PER 190904368P1.
- FUSE TO BE SUPPLIED UNASSEMBLED WITH CABLE. THE FOLLOWING ITEMS ARE TO BE PACKAGED IN A PLASTIC BAG AND ATTACHED TO CABLE ASM: FUSEHOLDER (BUSSMAN HFB), FUSE (3 AMP 250 VOLT BUSSMAN AGC3).
- CABLE TO BE PERMANENTLY MARKED WITH PART NUMBER (198802554P1).



PURCHASE FROM AN APPROVED VENDOR

PURCHASING TO SUPPLY VENDOR WITH COPIES OF THIS DRAWING AND 19A700070

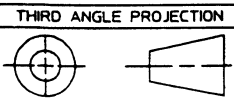
MATERIAL MUST MEET EGE INCOMING INSPECTION AND TEST SAMPLE PER 19A700070

UNLESS OTHERWISE SPECIFIED	SIGNATURES	DATE
DIMENSIONS ARE IN METERS	DRAWN P. W. MAY	07JAN93
TOLERANCES ON 1 PL. DECIMALS ± 0.25	CHECKED G. REYNOLDS	12JAN93
3 PL. DECIMALS ± 0.125	ENGRG P. W. MAY	12JAN93
ANGLES ± 0.5°	ISSUED P. W. MAY	12JAN93
FRACTIONS ± 0.1		

ERICSSON ERICSSON GE MOBILE COMMUNICATIONS INC. MOUNTAIN VIEW ROAD LYNCHBURG, VIRGINIA 23802

CABLE, DELTA II

FMF D2 MOBILE	SIZE B	FSCM NO	DWG NO 198802554
FCFO INDEX 344A4100	SCALE		SHEET 1 CONT ON 2



9E1 DIST