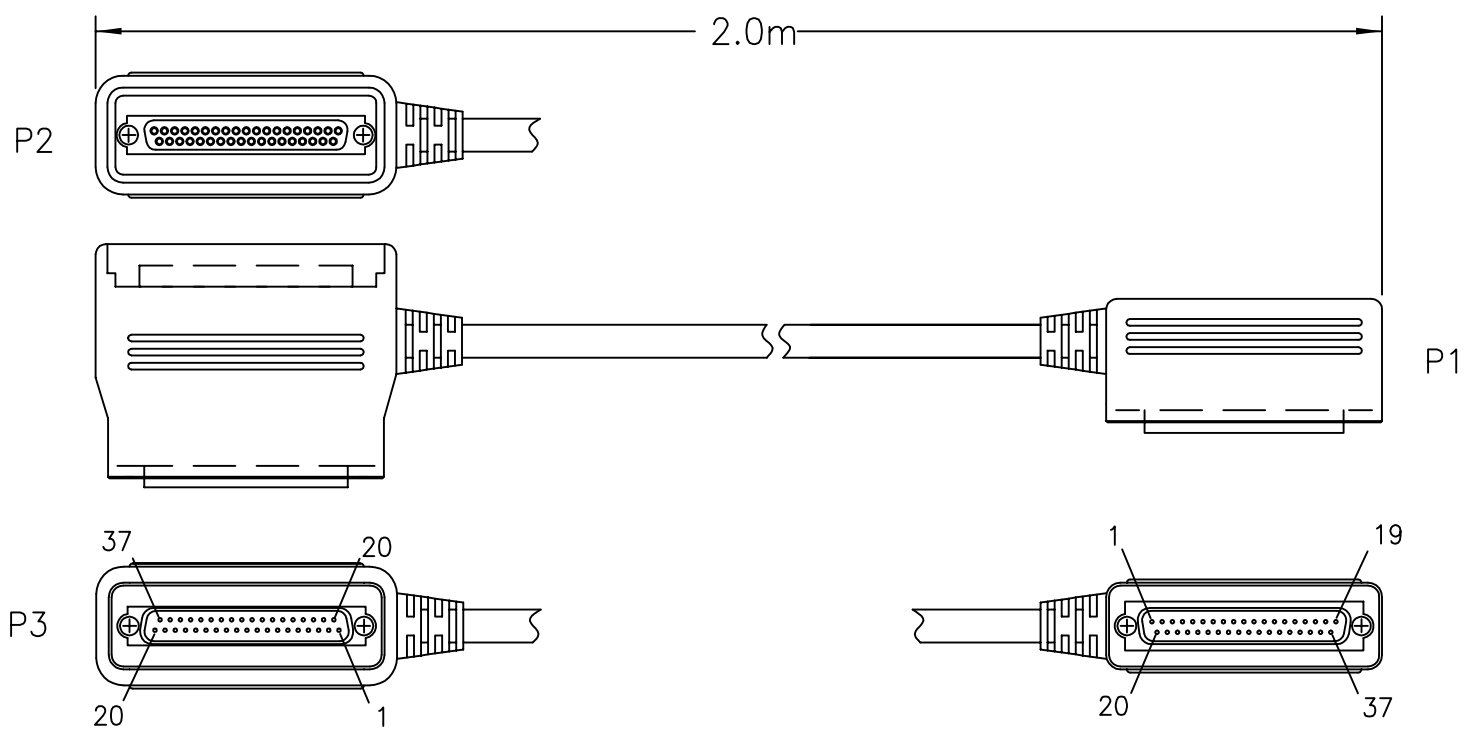
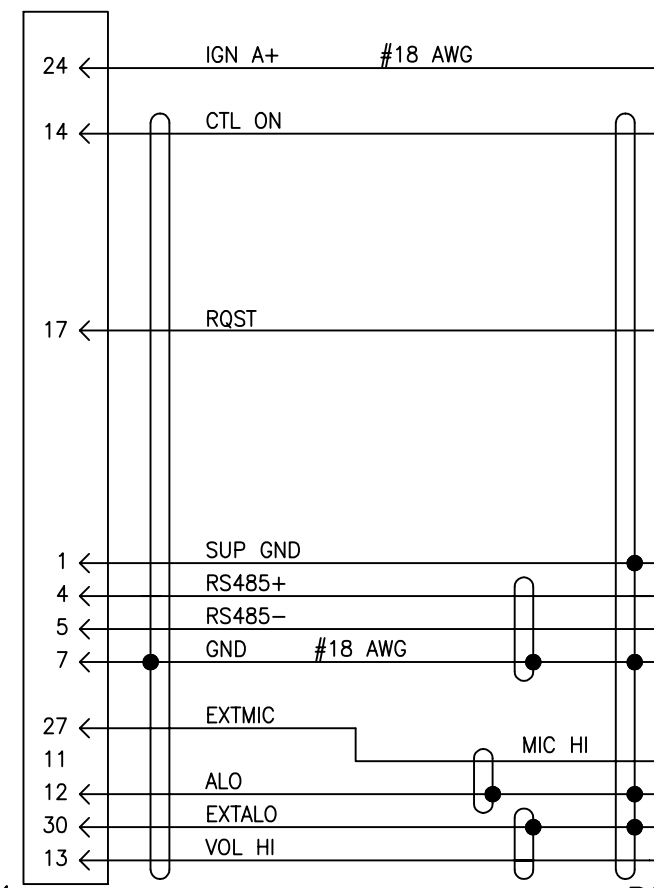


REVISIONS			
REV	DESCRIPTION	DATE	APPROVED
1	AN 17640	1FEB93	P. W. MAY
2-11	NO CHANGE		
12	AN19693	1MAY94	W.A. MULLER
13,14	NO CHANGE		
15	AN 19928	1AUG94	G. REYNOLDS
16-19	NO CHANGE		
20	REC. CORRECTED PT 10	18MAY95	G. REYNOLDS
21-27	NO CHANGE		



PART (10) REMOTE MOUNT DUAL RADIO CABLE

26	←	HKSW	→	26
15	←	XTONENC	→	15
13	←	VOLHI	→	13
16	←	XTONDEC	→	16
35	←	SDATA	→	35
36	←	SONOFF	→	36
37	←	HORNRING	→	37
32	←	SPARE	→	32
33	←	SPARE	→	33
34	←	SPARE	→	34
25	←	SW A+	→	25
24	←	IGN A+	→	24
10	←	IGN SEN	→	10
14	←	CTL ON	→	14
9	←	OUT2	→	9
21	←	INP1	→	21
23	←	INP2	→	23
22	←	OUT1	→	22
31	←	CUTST	→	31
17	←	RQST	→	17
6	←	CTS	→	6
20	←	RTS	→	20
19	←	SPKR 2	→	19
18	←	SPKR 1	→	18
3	←	XDATAOUT	→	3
2	←	XDATAIN	→	2
1	←	SUP GND	→	1
4	←	RS485+	→	4
5	←	RS485-	→	5
7	←	GND #18 AWG	→	7
29	←	FDISC	→	29
27	←	EXTMIC	→	27
11	←	MIC HI	→	11
12	←	ALO	→	12
30	←	EXTALO	→	30
28	←	EXTRX	→	28



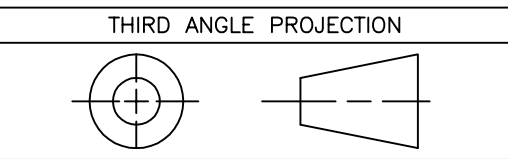
REQUIREMENTS (OR ENGINEERING APPROVED EQUIVALENTS)

- CABLE SHALL BE ASSEMBLED AS SHOWN AND CONNECTED PER WIRE CHART.
- P1 AND P3 TO BE A 37 POSITION D-SUBMINATURE PLUG SIMILAR TO AMP 205210-1 WITH AMP 1-745229-1 TERMINALS FOR #18 AWG AND 1-745254-4 TERMINALS FOR #24 AWG WIRE.
- P2 TO BE A 37 POSITION D-SUBMINATURE RECEPTACLE SIMILAR TO AMP 205209-1 WITH AMP 1-745230-1 TERMINALS FOR #18 AWG AND 1-745253-4 TERMINALS FOR #24 AWG WIRE.
- CABLE MATERIAL TO BE PER 7139880P27 CONSISTING OF AT LEAST 13 #24 AWG (7/32) AND 2 #18 AWG (16/30) WIRES AND SHIELDED AS SHOWN.
- P1 TO BE OVERMOLDED PER 19D904368P1.  
P2/P3 TO BE OVERMOLDED PER 19D904368P5.
- CABLE TO BE PERMANENTLY MARKED WITH PART NUMBER (19B802554P10).
- P2 TO P3 WIRING TO BE #24 AWG PER 19A115871P22.

PURCHASE FROM AN APPROVED VENDOR

PURCHASING TO SUPPLY VENDOR WITH COPIES OF THIS DRAWING AND 19A700070

MATERIAL MUST MEET EGE INCOMING INSPECTION AND TEST SAMPLE PER 19A700070



UNLESS OTHERWISE SPECIFIED DIMENSIONS ARE IN METERS TOLERANCES ON 1 PL DECIMALS ± 0.25 3 PL DECIMALS ± ANGLES ± FRACTIONS ±	SIGNATURES	DATE
	DRAWN P. W. MAY	07JAN93
	CHECKED G. REYNOLDS	12JAN93
	ENGRG P. W. MAY	12JAN93
	ISSUED P. W. MAY	12JAN93

ERICSSON ERICSSON GE MOBILE COMMUNICATIONS INC. MOUNTAIN VIEW ROAD · LYNCHBURG, VIRGINIA 24502

CABLE, DELTA II

FMF	D2 MOBILE	SIZE B	FSCM NO	DWG NO 19B802554
FCFO	INDEX 344A4100	SCALE		SHEET 8 CONT ON 9

L36  
DIST TO