

FIG. 1
MICROPHONE WIRING DIAGRAM
(PTS 1-6, 11 & 18)

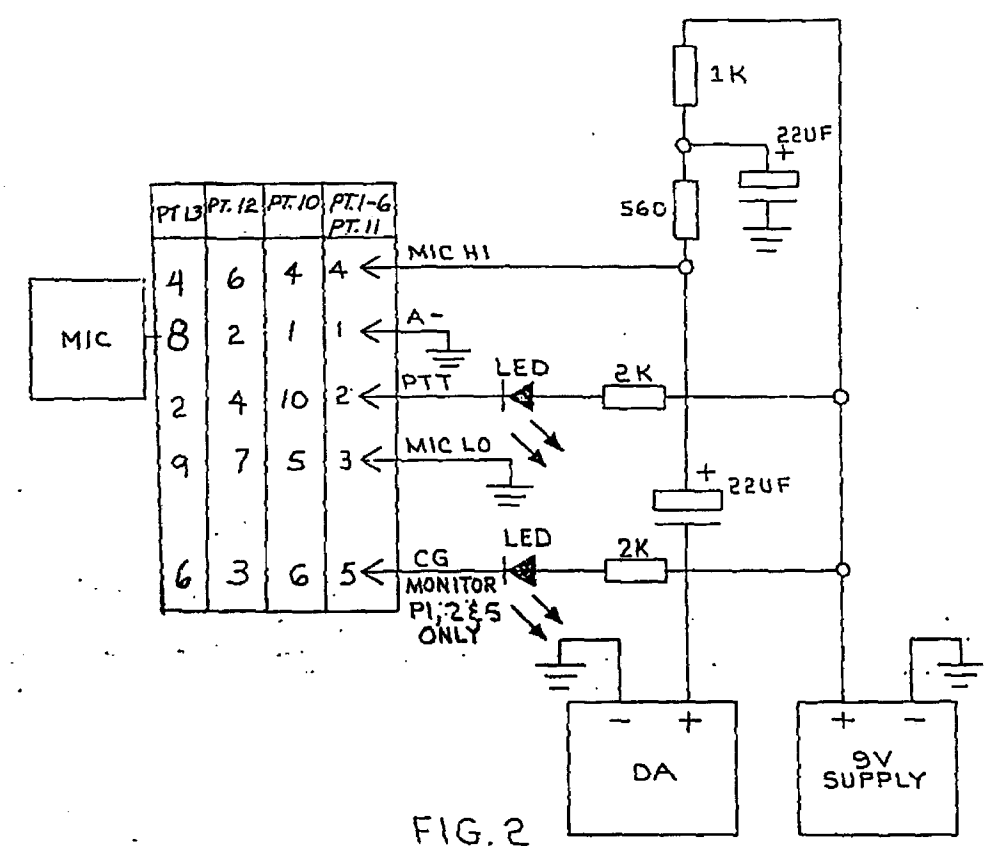


FIG. 2
TEST CIRCUIT FOR MEASURING
MICROPHONE RESPONSE
(PTS 1-6, 10-18)

NOTES:

1. RESPONSE MEASUREMENTS ARE MADE WITH THE MICROPHONE GRILLE LOCATED 8mm FROM BLK #4219 ARTIFICIAL VOICE OR EQUIVALENT. INPUT SOUND PRESSURE LEVEL HELD CONSTANT AT 94dB. (0dB EQUALS 52 dB BELOW 1 VOLT PER 0.1 PASCAL INPUT AT 1000 HERTZ).
2. CURRENT DRAIN 4ma MAXIMUM.
3. OUTPUT AT 25°C, 1000 HERTZ:
PTS 1-4 21 mV MIN. TO 69 mV MAX. PTS 5-9 120 mV MIN. TO 400 mV MAX. MEASURED ON D.A. (HP 331A OR EQUIVALENT WITH 9 VOLT SUPPLY SET AT 9 VDC ±0.1 VOLT.)
4. OUTPUT LEVEL DEVIATION WITH TEMPERATURE -4dB MAX. AT -30°C AND +2.5dB MAX. AT +60°C WHEN MEASURED AT 1kHz WITH 25°C LEVEL AS REFERENCE.
5. DISTORTION 300 TO 3000 Hz 5% MAXIMUM.
6. MICROPHONE OUTPUT TO BE WITHIN FIG. 3 LIMITS.
7. WHEN PTT SWITCH IS SLOWLY DEPRESSED THE DA MUST INDICATE OUTPUT LEVEL PRIOR TO OR AT THE SAME TIME AS LED ILLUMINATES.
8. (PT. 10 & 18 ONLY) OUTPUT LEVEL ADJUSTABLE FROM 20mV TO 400mV WITH SCREWDRIVER WITH UNIT ASSEMBLED. PRESET TO 120mV OUTPUT WITH INPUT AS SPECIFIED IN NOTE #1

17-18, 20	NO CHG		
16	18 men 97 Added Part 13		
15	7 Nov 1990 REC-ADD INFO FOR P. 12		
14	NO CHG		
13	11 JUN 50 FIG. 1 PTT WRS PP.		
12	P. Coleman 2-9-89 11/19 REC		
10	R. Mancy ADD PT. 10-11 2-15-88	21	NO CHG
9	19 22 OCT 1972 REC-ADD PT. 18		
8-9, 11	NO CHANGE		
7	A. Douglas REC 11/86 OCT		
4-6	CHG NOTE'S ADD SH 2A EPTS 5-6		
4-6	NO CHANGE		
3	W. G. REC 183 MAY 13		
2	NO CHANGE		
1	CHG'S THIS CALLS FIG. 1		
1	18/11/61 REC 11-27 DEC 7		
REVISIONS			
FIRST MADE FOR		F.C.F.O.	
DELTA STN			
APPV	DATE	TITLE	PARTS LIST
		MICROPHONE, TRANSISTORIZED (ELECTRET CARTRIDGE)	
		19C851086	
		CONT. ON SHEET 2A 1-4-62	

THE HIGHEST REV. OF THIS SHEET IS TO BE USED UNLESS OTHERWISE SPECIFIED