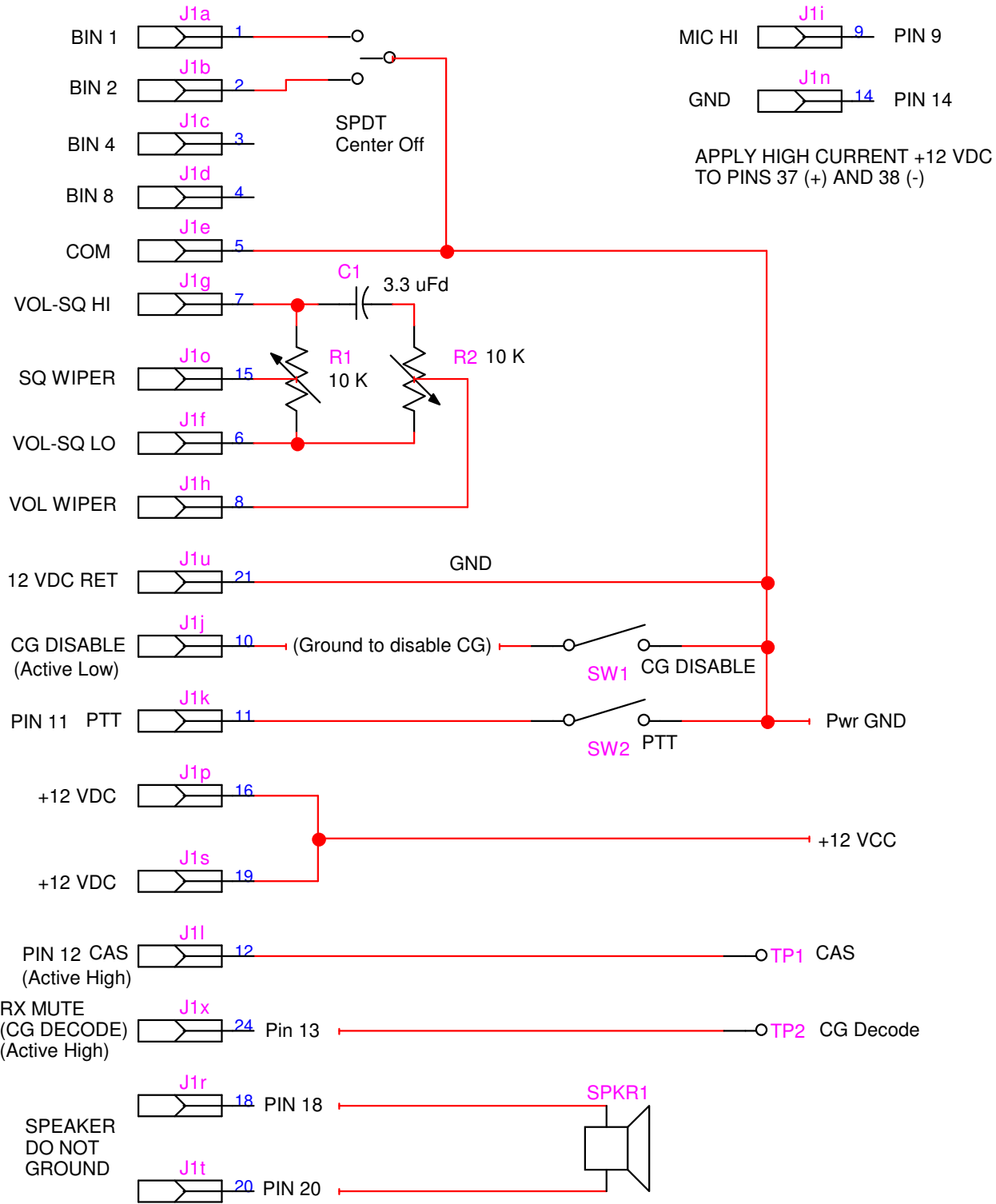


RANGR RADIO TEST FIXTURE



MIC HI J1i 9 PIN 9
 GND J1n 14 PIN 14

APPLY HIGH CURRENT +12 VDC TO PINS 37 (+) AND 38 (-)

NOTE: J1x is mis-numbered
 Use corrected number shown