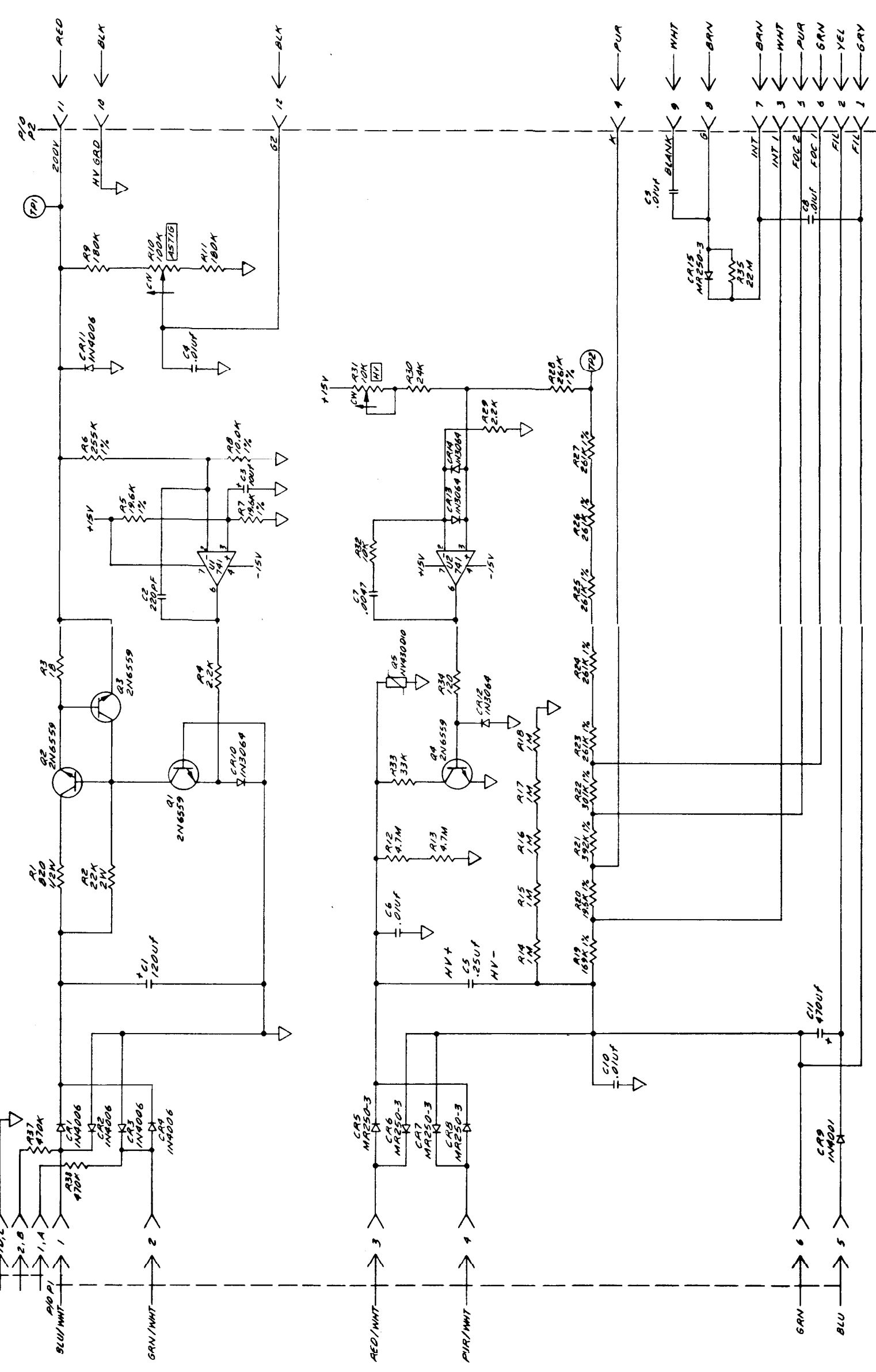


REV	DESCRIPTION	DATE	APPROVED
A	DESIGNED BY CONNOR	12/18/74	
B	REVISED PER ECO 0107	12/18/74	
C	REV. P/ ECO 0147	1-7-75	



DESIGNATION	FUNCTION	DATE	APPROVED
DESIGNATION	FUNCTION	DATE	APPROVED
DESIGNATION	FUNCTION	DATE	APPROVED
DESIGNATION	FUNCTION	DATE	APPROVED

DESIGNATION	FUNCTION	DATE	APPROVED
DESIGNATION	FUNCTION	DATE	APPROVED
DESIGNATION	FUNCTION	DATE	APPROVED
DESIGNATION	FUNCTION	DATE	APPROVED

DESIGNATION	FUNCTION	DATE	APPROVED
DESIGNATION	FUNCTION	DATE	APPROVED
DESIGNATION	FUNCTION	DATE	APPROVED
DESIGNATION	FUNCTION	DATE	APPROVED

DESIGNATION	FUNCTION	DATE	APPROVED
DESIGNATION	FUNCTION	DATE	APPROVED
DESIGNATION	FUNCTION	DATE	APPROVED
DESIGNATION	FUNCTION	DATE	APPROVED

DESIGNATION	FUNCTION	DATE	APPROVED
DESIGNATION	FUNCTION	DATE	APPROVED
DESIGNATION	FUNCTION	DATE	APPROVED
DESIGNATION	FUNCTION	DATE	APPROVED

DESIGNATION	FUNCTION	DATE	APPROVED
DESIGNATION	FUNCTION	DATE	APPROVED
DESIGNATION	FUNCTION	DATE	APPROVED
DESIGNATION	FUNCTION	DATE	APPROVED