

Maintenance Manual

M-RK

UHF

PERSONAL TWO-WAY FM

RADIO COMBINATION

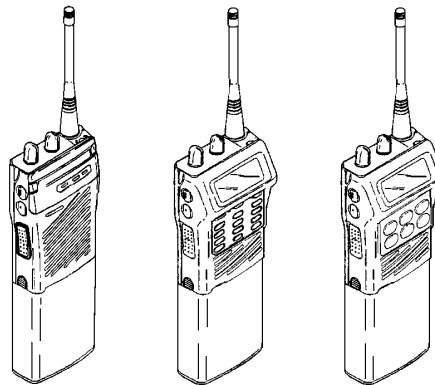


TABLE OF CONTENTS

Service Assemblies	LBI-38746
Service Section	LBI-38740
Disassembly and Assembly	LBI-38741

NOTICE!

This manual covers Ericsson and General Electric products manufactured and sold by Ericsson Inc.

NOTICE

Repairs to this equipment should be made only by an authorized service technician or facility designated by the supplier. Any repairs, alterations or substitution of recommended parts made by the user to this equipment not approved by the manufacturer could void the user's authority to operate the equipment in addition to the manufacturer's warranty.

NOTICE

The software contained in this device is copyrighted by Ericsson Inc. Unpublished rights are reserved under the copyright laws of the United States.

This manual is published by **Ericsson Inc.**, without any warranty. Improvements and changes to this manual necessitated by typographical errors, inaccuracies of current information, or improvements to programs and/or equipment, may be made by **Ericsson Inc.**, at any time and without notice. Such changes will be incorporated into new editions of this manual. No part of this manual may be reproduced or transmitted in any form or by any means, electronic or mechanical, including photocopying and recording, for any purpose, without the express written permission of **Ericsson Inc.**

TABLE OF CONTENTS

	<u>Page</u>
SPECIFICATIONS	4, 5
DESCRIPTION	6
RADIO ASSEMBLY	7
TRANSMIT CIRCUIT	7
RECEIVE CIRCUIT	8
FREQUENCY SYNTHESIZER	8
LOGIC CIRCUIT	8
SYSTEM ANALYSIS	8
RADIO BOARD ASSEMBLY.	8
Transmit Circuits	8
Power Amplifier Module (U7)	8
LPF/DC/T/R SW Module (U8)	9
Receive Circuit	9
RF Amplifier/Mixer	9
First IF Amplifier	9
Second IF Amplifier/Discriminator (U11) Non-switchable	9
Second IF Amplifier/Discriminator (U11) Switchable	9
Synthesizer Circuit	9
Phase-Lock-Loop Module (U2)	9
Voltage-Controlled Oscillator (U5)	10
VCTCXO Reference Oscillator (Z1)	10
LOGIC CIRCUIT	10
Control Board Assembly.	10
Microcomputer	10
Flash E ² PROM (U4)	11
RAM (U5)	11
E ² PROM (U6)	11
Digital Signal Processor (DSP)(U3)	11
Voltage Regulator (U9, U10)	11
Audio Amplifier (U11)	11
Audio Signal Processor (ASP)(U7)	11
LED Flex Assembly (M-RK I)	17
LCD/KB Flex Assembly (M-RK II & Scan)	17
Keypad (M-RK II & Scan)	17
UDC	17
MAINTENANCE	18
INITIAL ADJUSTMENT	18
Transmit Circuit Alignment	18
Receive Circuit	18
Synthesizer Circuit	18

TABLE OF CONTENTS (CONT.)

PREVENTIVE MAINTENANCE	18
Antenna	18
Mechanical Inspection	18
Alignment	18
Frequency Check	18
DISASSEMBLY	18
REPLACEMENT	18
TROUBLESHOOTING PROCEDURE	19
WEATHERPROOF INTEGRITY	19
DIAGRAMS	
Figure 1 - M-RK I Controls and Accessories	7
Figure 2 - M-RK II & Scan Controls and Accessories	7
Figure 3 - Radio Block Diagram VHF/UHF (Non-switchable)	12
Figure 4 - Radio Block Diagram VHF/UHF (Switchable)	12
Figure 5 - M-RK I (Conv/EDACS) Logic Block Diagram	13
Figure 6 - M-RK I (AEGIS) Logic Block Diagram	13
Figure 7 - M-RK II & Scan (Conv/EDACS) Logic Block Diagram	14
Figure 8 - M-RK II & Scan (AEGIS) Logic Block Diagram	14
Figure 9 - Power Amplifier (PA) UHF	15
Figure 10 - LPF/ DC/ T/R SW Module (U8) VHF/UHF	15
Figure 11 - RF Amplifier/Mixer	15
Figure 12 - First IF Amplifier	15
Figure 13 - Second IF Amplifier/Discriminator (Non-switchable)	16
Figure 14 - Second IF Amplifier/Discriminator (Switchable)	16
Figure 15 - Synthesizer	17

SPECIFICATIONS *

SYSTEM	<u>FCC</u>	<u>DOC</u>
Regulatory Number	AXATR-202-A5(403 - 430 MHz) AXATR-202-A5 (440 - 470 MHz) AXATR-202-A5 (470 - 500 MHz) AXATR-202-A5 (378 - 403 MHz)	TR-202 TR-202 TR-202
Frequency Range	403 - 430 MHz 440 - 470 MHz 470 - 500 MHz 378 - 403 MHz	
Frequency Stability	±5 ppm ±2 ppm (switchable)	
Dimensions (HxWxD) w/battery (Typical)		
M-RK I (Medium Capacity Battery)	161.8 mm x 68 mm x 30 mm	
(High Capacity Battery)	176.8 mm x 68 mm x 30 mm	
(Extra High Capacity Battery)	194.3 mm x 68 mm x 30 mm	

M-RK II & Scan (Medium Capacity Battery)	161.8 mm x 68 mm x 40.6 mm
(High Capacity Battery)	176.8 mm x 68 mm x 40.6 mm
(Extra High Capacity Battery)	194.3 mm x 68 mm x 40.6 mm

Weight

M-RK I (Medium Capacity Battery)	15.2 ounces
(High Capacity Battery)	19.2 ounces
(Extra High Capacity Battery)	21.2 ounces

M-RK II & Scan (Medium Capacity Battery)	16.4 ounces
(High Capacity Battery)	20.4 ounces
(Extra High Capacity Battery)	22.4 ounces

Operable Temperature Range	-30° to +60° (-22° to + 140° F)
----------------------------	---------------------------------

TRANSMIT

RF Power Output	0.5 to 5 watts
Spurious Emissions	-75 dBc
Maximum Deviation	±5 kHz ±2.5 kHz (switchable, narrowband mode)
FM Hum & Noise	-45 dB non-switchable, switchable (wideband mode) -39 dB switchable (narrowband mode)
Audio Distortion	<3% (60% Modulation)
Frequency Stability	±5 ppm (-30°C to +60°C)non-switchable ±2 ppm (-30°C to +60°C)switchable
RF Load Impedance	50 ohms
Microphone Sensitivity	Less than 90 dB SPL (EIA 60% MDD)
Maximum Attack Time	25 milliseconds (PTT Pushed)
Audio Frequency Response	Within +1 and -3 dB of a 6 dB/octave pre-emphasis from 300 Hz to 3000 Hz. Non-switchable, switchable (wideband mode) Within +1 and -3 dB of a 6 dB/octave pre-emphasis from 300 Hz to 2550 Hz. Switchable (narrowband mode).

RECEIVE

Sensitivity (12 dB SINAD)	-116 dBm
Spurious Response	-72 dB (minimum)
Selectivity	-75 dB (25 kHz) -60 dB (12.5kHz) switchable units only
Squelch Sensitivity	6 dB SINAD
Distortion (EIA 0.5 watt)	5%
Audio Frequency Response	Within +1 and -3 dB of a 6 dB/octave de-emphasis from 300 Hz to 3000 Hz.

NOTE

Non-switchable UHF units are designed for 25 kHz channel spacing only. Switchable units with the proper software and feature encryption can be used in 12.5 kHz channel spacing system.

* These specifications are intended primarily for use by service personnel. Refer to the appropriate Spedivication Sheet for complete specifications.

DESCRIPTION

The M-RK Personal Radio is a high-quality, high-performance FM radio. The radio is synthesized and operates in both trunked and conventional communication systems. The trunked mode allows selection of either a communications group or an individual radio within a system. Both the selected group and the individual radio are secured through digital signaling.

In the conventional mode, the user selects a channel and directly communicates on that channel. A channel is a transmit/receive radio frequency pair.

A group consists of several users with a common group identification (ID). A radio may have several groups, but the selected group determines who the unit can call at any specific time. In the trunked mode, a set of groups which communicate on a set of channels is called a system. In the conventional mode, a system is a set of channels. A system may consist of all trunking groups and channels, all conventional channels, or a mixture of both.

The M-RK Personal Radio is designed to operate in a Digital Trunking System or as a conventional radio providing the following features.

In trunked mode:

- Programmable Multiple System Capability -- The radio can operate on different trunked sites or on different systems at the same site.
- Multiple Group Capability -- The radio can communicate on several Groups within one trunked system.
- Group Call -- The M-RK has the capability of simultaneously calling all units within a group.
- Programmable Carrier Control Timer -- Personality information includes an optional period of transmit time from 15 to 120 seconds. After the timer expires, the unit will automatically unkey and provide an alert tone. This feature is re-initiated on every PTT and the alert tone is removed upon release of the PTT.
- Minimum Volume Level -- Personality information includes a minimum volume level.
- Programmable Squelch -- The noise squelch opening threshold can be programmed for each channel.
- Receive Mode Lock Out -- In normal trunked operation, the radio will not transmit while in the receive mode.

- Automatic Power Levels -- The desired power level on each channel can be programmed into the radio personality. Power level is automatically selected dependent on the channel.
- Emergency feature -- An emergency group can be programmed into the radio. This group is selected by pressing the EMR button. This allows a user to quickly reach this group and initiate the M-RK emergency signalling.
- Simple Remote Control Capability -- A speaker/microphone (which can also control PTT and the volume level) can be connected through the UDC (Universal Device Connector).
- Surveillance Feature -- The display backlighting (M-RK II & Scan) may be programmed on or off per group. The side-tone beep, related to the operation of the radio controls, is also capable of being disabled on a group-by-group basis.
- Programmable through UDC -- The entire personality of the radio is programmed through four connections of the UDC.
- 3 LED (including 2 bi-color LEDs) Display (M-RK I) -- These LEDs are used to exhibit the condition of the radio. It shows Channel Guard on/off, transmit mode, battery condition, scan mode, channel busy, and digital/clear mode condition, etc.
- 16 Character Dot Matrix Alphanumeric Crystal Display (M-RK II & Scan) -- This display is used to exhibit the condition of the radio. It shows channel designation, Channel Guard or Digital Channel Guard on/off, transmit mode, volume level, battery condition, channel busy, and high/low power output, etc.

In conventional mode:

- 16/192-Channel Capability -- Channel designation can be a mixture of numerics (0-192) and alphanumerics displayed through the LCD. Channel control can come from the channel rotary switch, the emergency channel feature, or the front keypad.
- Programmable Multi-Tone Channel Guard (CTCSS) Encode/Decode -- Channel Guard tone frequencies within the range of 67 Hz to 210.7 Hz, including all of the standard EIA frequencies, may be programmed. Different encode/decode, encode only, and with/without Channel Guard frequencies are also programmable into the radio.
- Programmable Multi-Code Digital Channel Guard (CDCSS) Encode/Decode -- Similar capability as with Tone Channel Guard is provided.

- Programmable Talkaround Capability -- The ability to switch the transmit frequency from a repeater frequency to a direct communications frequency.
- Channel-Busy Lock Out -- Personality information includes the capability to prevent the transmitter from operating on a channel where carrier activity is present. The channel busy indicator (BSY) is active during this time.

Physically an M-RK radio consists of three main printed wire board assemblies and a battery pack as follows:

- A printed wire board specially shielded with zinc alloy on which the radio assembly (transmit/receive/synthesizer) is assembled.
- A Control board containing the microprocessor.
- A LCD/KB flex wire board with display processor, rotary switch, AF volume with switch.
- A battery pack that fits the M-RK main unit.
- Lightweight plastic front and back housing.

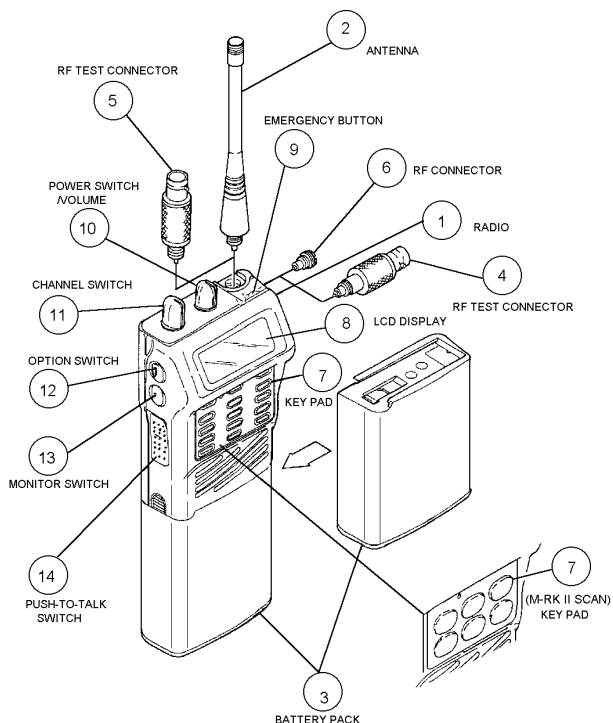


Figure 2 - M-RK II & Scan Controls and Accessories

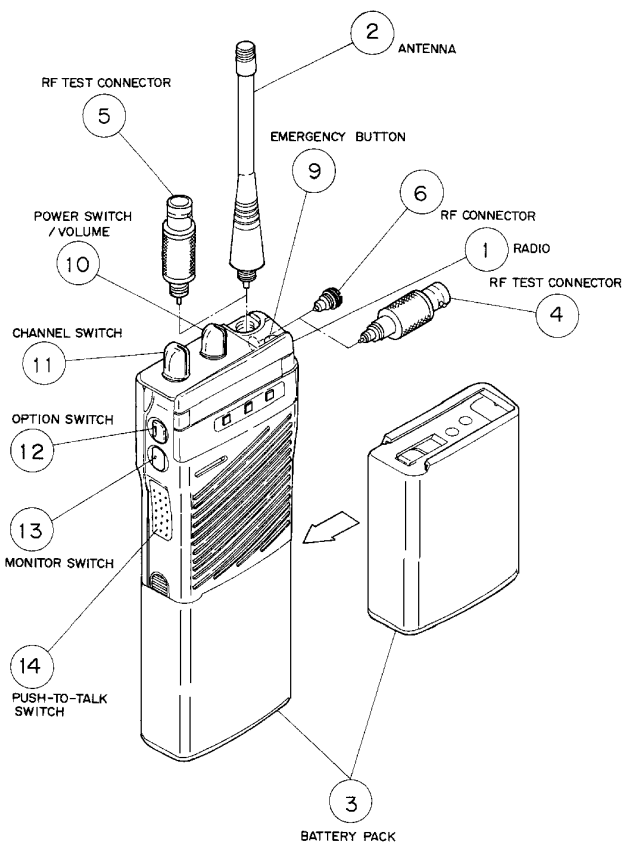


Figure 1 - M-RK I Controls and Accessories

RADIO ASSEMBLY

TRANSMIT CIRCUIT

The transmit circuit consists of four major circuits as follows:

- Wide Band Amplifier -- Amplifies the signal from the frequency synthesizer.
- Wide Band Power Amplifier -- Amplifies the output signal of the amplifier to the desired output level for transmission (a gain of 38.5 dB).
- Wide Band Power Control Circuits -- Can reduce the transmitter output level by 10 dB.
- LPF, DC, Switch Hybrid Module -- Consists of LPF and directional coupler and Tx/Rx switch.

The transmitter completely covers the band within the split. No adjustments are needed except for the RF power control voltage from the controller.

RECEIVE CIRCUIT

The receiver consists of three major circuits as follows:

- a. Front-End Circuit -- Consists of a one stage preamplifier (with band-pass filters).
- b. First Mixer and IF circuit -- A special double balanced mixer is used to convert the incoming signal to 55.025 MHz first IF. This is put through a band-pass filter (BPF) and an IF amplifier to get the desired first IF signal.
- c. Second IF (455 kHz) -- Consists of one IC and three BPF containing the second mixer, the second IF amplifier, and the FM detector. The second IF output provides the Logic section with audio output.

FREQUENCY SYNTHESIZER

The frequency synthesizer is made up of three major modules as follows:

- a. VCO Module -- The UHF band frequency synthesizer has one common VCO for both transmitting and receiving. The transmitter is modulated at both the VCO and the VCTCXO.
- b. VCTCXO Module -- The VCTCXO is a voltage controlled, temperature compensated crystal oscillator providing 13.2 MHz (12.8 MHz for switchable models) as a reference frequency with modulation capability.
- c. Phase-Lock Loop -- Consists of a frequency divider and a low current drain CMOS IC for phase comparison.

LOGIC CIRCUIT

The logic circuit consists of a control board assembly with an audio processor and a LED flex assembly (M-RK I), LCD/KB flex assembly (M-RK II & Scan) as follows:

- a. Control Board Assembly -- Carries two microprocessors, RAM, Flash E²PROM, audio processor, digital processor and I/O interconnections with the frequency synthesizer. This board commands all the functions and operation of the M-RK radio.
- b. Audio Signal Processor (ASP) -- Includes transmitter and receiver audio circuits.
- c.

Digital Signal Processor (DSP) -- Includes a modem, address decoder, and clock control circuit.

- d. LED Flex Assembly (M-RK I) -- Includes LED display, rotary switch and AF volume with on/off switch.
- e. LCD/KB Flex Assembly. (M-RK II & Scan) -- Includes LCD driver and processor for the display, rotary switch and AF volume with on/off switch.

SYSTEM ANALYSIS

Refer to Figures 3 thru 8. The M-RK radio consists of three major printed wire boards as follows:

- Radio Board Assembly -- carries the transmit, receive, and frequency synthesizer circuits.
- Control Board Assembly -- supports logic control circuits.
- LED flex Assembly (M-RK I) -- carries LEDs.
- LCD/KB flex Assembly (M-RK II & Scan) -- carries LCD.

Interconnection of the control board with other boards and control circuits is made with flexible circuit boards and connectors.

Circuit illustrations shown are simplified representatives of actual circuits. They are intended only to illustrate basic circuit functions.

RADIO BOARD ASSEMBLY

Transmit Circuits

The M-RK transmit circuit, as shown in Figures 3 and 4, consists of the following integrated circuit, modules.

- Power Amplifier (PA)
- LPF/DC/TR SW

Power Amplifier Module (U7)

Power Amplifier (PA) U7 is a four-stage, wideband amplifier module with an input and an output impedance of 50 ohms (Figure 9). The second stage of the PA module has the dc power supplied by power set transistor Q203. The RF power output from amplifier is connected to pin 1 of the PA module where it is applied to the input of the RF power amplifier stages. The RF power amplifier stages amplify the input from the Tx-Amp module to a typical power output level

of seven watts at pin 7. The output at pin 7 is connected through the LPF/DC/SW module. A minimum power level of five watts is on the output of the LPF/DC/SW module.

LPF/DC/T/R SW Module (U8)

The output of the PA module is connected to LPF/DC/SW. This network is a passive LC low-pass filter with an insertion loss of less than 1.2 dB in the pass-band. It also has a rejection greater than 50 dB in the stop band. The output of this module is connected to the system antenna or to the UDC connector.

Receive Circuit

The M-RK receive circuit, as shown in Figures 3 and 4, consists of the following circuits:

- RF Amplifier/Mixer
- First IF Amplifier
- Second IF Amplifier/Discriminator

RF Amplifier/Mixer

The Rf Amplifier/Mixer circuit (Figure 11) contains two third-order band-pass filters (FL301 and FL302), and RF amplifier circuit (Q301) and a double-balanced diode mixer circuit (Z2). RF from the antenna or UDC connector is coupled through LPF/DC/TR SW module to the input of the RF amplifier circuit. The RF signal on the input of the RF amplifier is first coupled through band-pass filter FL301 to the input of grounded emitter broad-band RF amplifier transistor Q301. This amplifier provides 13 dB of power gain to reduce thermal noise. The output of the RF amplifier is coupled through band-pass filter FL3D2 to drive double balanced mixer circuit Z2.

The RF signal from the RF amplifier and the injection frequency from the synthesizer circuit, provide a 55.025 MHz IF on the output of the mixer. The double-balanced Mixer has a typical conversion loss of 7.5 dB between the Rf input and IF output. All inputs and the output of the RF Amplifier/Mixer have 50 ohms matching impedance. The +7 dBm injection frequency level, provided by the synthesizer and amplifier circuit transistor Q103, is connected to the injection frequency input. The output of the Mixer circuit is connected to the input of the first IF Amplifier.

First IF Amplifier

The first IF amplifier contains a amplifier circuit and two crystal filters of two poles, respectively (refer to Figure 12). The first IF signal (55.025 MHz) connects to the input of preamplifier transistor Q302 through pre-crystal filter FL303

with an impedance of approximately 3 Kohms. Pre-amplifier Q302 provides a 23 dB power gain. The output is connected to the input of IF amplifier IC U11 through crystal filter FL304.

Second IF Amplifier/Discriminator (U11) Non-switchable

The Second IF Amplifier/Discriminator circuit (Figure 13) contains FM IF IC U11 and 455 kHz ceramic filters FL305, FL306, FL307. The FM IF IC contains a local oscillator, mixer, IF amplifier, FM detector, and an audio amplifier. The 55.025 MHz IF output from the first IF amplifier is connected to the input of second IF amplifier U11 pin 21 and converted to the second IF frequency (455 kHz). The second IF output is connected to pin 7 input through the 455 kHz ceramic filter to the IF amplifier and FM detector circuits. The recovered audio from the FM IF IC is connected to J1-3B.

Second IF Amplifier/Discriminator (U11) Switchable

The Second IF Amplifier/Discriminator circuit (Figure 14) used in a switchable radio (25/12.5 kHz channel spacing) contains IC U11 and 455 kHz ceramic filters FL305, FL306, FL307 and FL308 (used for 12.5 kHz channel spacing). U11 contains a local oscillator, mixer, IF amplifier, FM detector and an inverter.

The 55.025 Mhz IF output from the first IF amplifier is connected to the input of the second IF amplifier at U11-16. There the mixer circuit converts the signal to the second IF frequency (455 kHz). The second IF output at U11-3 is fed through ceramic filters FL305 and FL306. Bi-lateral switches U13 and U14 are controlled by the T/R switch and 25/12.5 kHz controls from the control board.

When operation is selected for 25 kHz channel spacing, the second IF frequency is passed by FL307 to U11-5 to the IF amplifier and FM detector circuits. The recovered audio is passed through bi-lateral switch S12 to J1-3B.

When operation is selected for 12.5 kHz channel spacing, the second IF frequency is passed by FL308 to U11-5 to the IF amplifier and FM detector circuits. The recovered audio is passed through bi-lateral switch S12 to U11-8. There the audio passes through an inverter to the output of U11-7 and then to J1-3B.

Synthesizer Circuit

The Synthesizer circuit (Figure 15) contains Phase-Lock-Loop (PLL) module U2, VCTCXO Reference Oscillator module Z1, TX/RX Voltage Controlled Oscillator (VCO) module U5, and a Low-Pass-Filter (LPF) amplifier.

The VCO used to generate the receive and transmit frequencies is locked to a stable VCTCXO reference oscillator through a PLL. This feed-back loop divides the VCO frequency down to a signal in the range of 3.5 MHz. This signal is divided with a programmable divider to 6.25 kHz, and generates a VCO control signal by comparing the 6.25 kHz feedback with a 6.25 kHz signal derived by dividing a 13.2 MHz (12.8 MHz for switchable models) VCTCXO by 2112 (2048 for switchable models). As the least-significant bit in the programming is changed, the VCO is forced to change by 6.25 kHz.

Transmit audio fed into the synthesizer will be halved by U4-2 in switchable radio units set for 12.5 kHz channel spacing. This will limit voice deviation to a peak 2.25 kHz and also halve CG/DCG encode deviation also.

The synthesizer circuitry is contained on two modules, the VCO module U5 and the VCTCXO reference oscillator module Z1.

Phase-Lock-Loop Module (U2)

The PLL module U2 contains a reference frequency, divider, phase detector, and a programmable divider. The phase detector dc voltage output signal is filtered with a passive low-pass filter followed by a 6.25 kHz filter to reduce the level of reference modulation on the VCO. This dc output represents the error between the VCO frequency (phase) and the reference (VCTCXO) and is applied to the VCO on frequency. A lock-detect output is developed from pin 9 of U2. The output is "AND"ed with the TX-PTT output from the microcomputer to prevent transmission before the VCO is on frequency.

Serial data from the microcomputer is shifted into the PLL to set the division parameter which establishes the frequency. A clock signal is provided on another input and the data is latched with the enable input.

Voltage-Controlled Oscillator (U5)

The VCO uses a low-noise, high-gain transistor as the basic oscillator. The resonant circuit, which determines the frequency of oscillation, is formed by a high-Q SAW which is used to set the center frequency at the factory. The output of the VCO is coupled into a cascade amplifier which produces 0 dBm. The output of the RX-VCO amplifier is coupled into the receive first double-balanced mixer circuit Z2 through amplifier Q103. The VCO amplifier output is also connected to the input of TX-amplifier transistor Q104.

VCTCXO Reference Oscillator (Z1)

The Z1 oscillator module is self contained, fully temperature compensated and operates at a frequency of 13.2 MHz (12.8 MHz for switchable models). The oscillator also has modulation capability. Frequency is adjusted by a trimmer while monitoring the transmit circuit output at the antenna jack.

LOGIC CIRCUIT

The logic circuit consists of control circuits and audio circuits (Figures 5 thru 8). Physically, this circuit consists of two circuit board as follows:

- Control Board Assembly
- LED Flex Assembly (M-RK I)
- LCD/KB flex Assembly (M-RK II & Scan)

Control Board Assembly

The Control board consists of the following circuits (refer to Figures 5 thru 8):

- CMOS Microprocessor (U1, U2)
- E²PROM (U6)
- Flash E²PROM (U4)
- Custom CMOS DSP Chip (U3)
- Custom CMOS ASP Chip (U7)
- CMOS Inverters (U12)
- CMOS OR gates (U15)
- CMOS SRAM (U5)
- Audio Amplifier (U11)
- 5 volt Regulator (U9,10)
- Semi-custom CMOS ADSP chip (U17) for Aegis models

Microcomputer

The main microcomputer circuit in this radio consists of microprocessor, H8/532 (U2), 2K x 8 E²PROM (U6), 128K (upgraded to 512K in later models) x 8 flash EPROM (U4), 8K (upgraded to 32K in later models) x 8 RAM (U5), and custom DSP (U3). This circuitry runs at a 9.8304 MHz rate determined by crystal Y1 and controls the radio through a second microprocessor H8/330 (U1). This microprocessor (U1) runs at an 4.9152 MHz rate. The 4.9152 MHz rate is determined by DSP (U3).

- Controlling the DSP, flash E²PROM and RAM
- Loading data to the frequency synthesizer
- Fetching and processing the PTT, monitor, channel selection, and volume control
- Controlling the LED display (M-RK I)
- Loading data to the LCD display processor (M-RK II & Scan)
- Controlling the audio circuit (processor)
- Decoding the squelch
- Encoding/Decoding the Channel Guard and Digital Channel Guard
- Controlling the loading interface for the radio data (channel number and signaling)

Flash E²PROM (U4)

IC U4 contains the software to control the microprocessor.

Earlier versions of M-RK radios had 128K or 256K flash memory. Refer to the white label on the bottom baseplate assembly to determine the memory size. It will indicate "937Pxxx". If "xxx" is >200, the M-RK has switchable hardware and 512K flash memory. If "xxx" is <200, the M-RK has non-switchable hardware and is either 128K or 256K flash memory. Contact Technical Assistance Center for additional information.

RAM (U5)

This RAM has a storage capacity of 32 Kbits x 8. Earlier versions had 8K RAM.

E²PROM (U6)

This E²PROM has a storage capacity of 2 Kbit x 8. This personality controls various functions of the radio. The personality data is entered from outside the radio through the UDC connector to the microprocessor and then to the E²PROM. The data mainly consists of the following:

- Channel frequency Data
- CG/DCG data
- TX Power, TX Modulation Data
- Squelch Data
- Display Data, etc.

Digital Signal Processor (DSP)(U3)

The primary purpose of this DSP is to off-load the host microprocessor so that the host can spend as much time as possible in a low power state. This chip has the functions as follows:

- MODEM
- FIFO
- Watch Dog Timer
- Clock Control
- Control Register Bank
- Interrupt Control
- Address Decode

Voltage Regulator (U9, U10)

Voltage regulator U9, U10, Q1 generate 5 VDC for Control Board and LCD/KB Flex Board.

Audio Amplifier (U11)

The audio amplifier is located between the audio processor and the speaker. Amplifier U11 amplifies the output signal of the ASP (U7) to the level adequate for driving the speaker and UDC audio output.

Audio Signal Processor (ASP)(U7)

The Audio processor consists of a one-chip IC accommodating almost all the audio functions. The audio functions are under control of the microcomputer in compliance with the function of the radio unit. The functions of the audio processor are as follows:

- Rx Audio process with Tone Reject Filter, De-Emphasis and Programmable Attenuator.
- Data limiting
- CG/DCG filtering and limiting
- Noise Squelch filtering and detecting
- 8 bits D/A Converter with sample and hold
- Tx audio process with Mic Amplifier, Pre-Emphasis, Deviation Limiter, Summing Amplifier, Post Limiter filter and Programmable Attenuator.
- Data signal filtering
- Two 6 bits Programmable Divider for clock and alert tone.

All these functions are made up of switched capacitor filters, amplifiers, and timing logic. The timing for this logic is derived from the 4.9152 MHz clock generator (DSP).

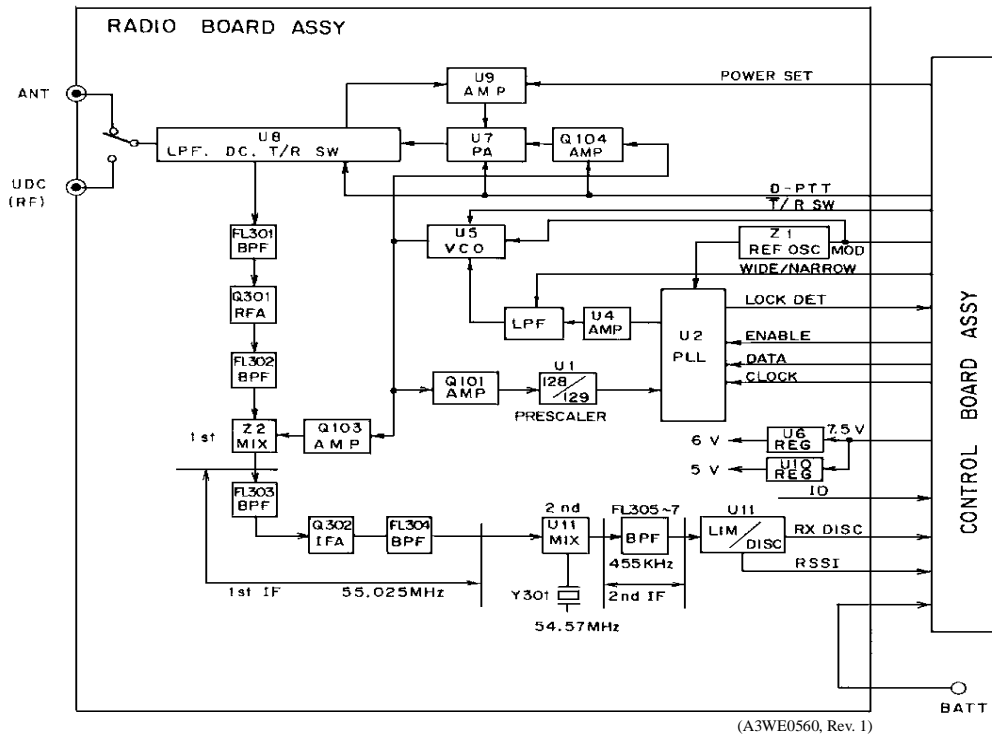


Figure 3 - Radio Block Diagram VHF/UHF (Non-switchable)

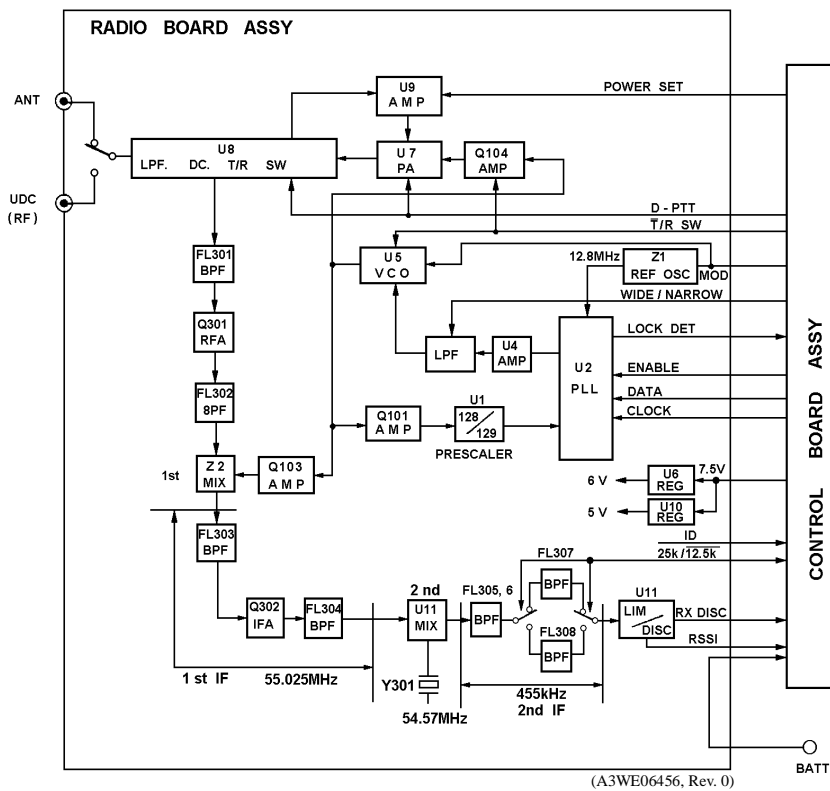
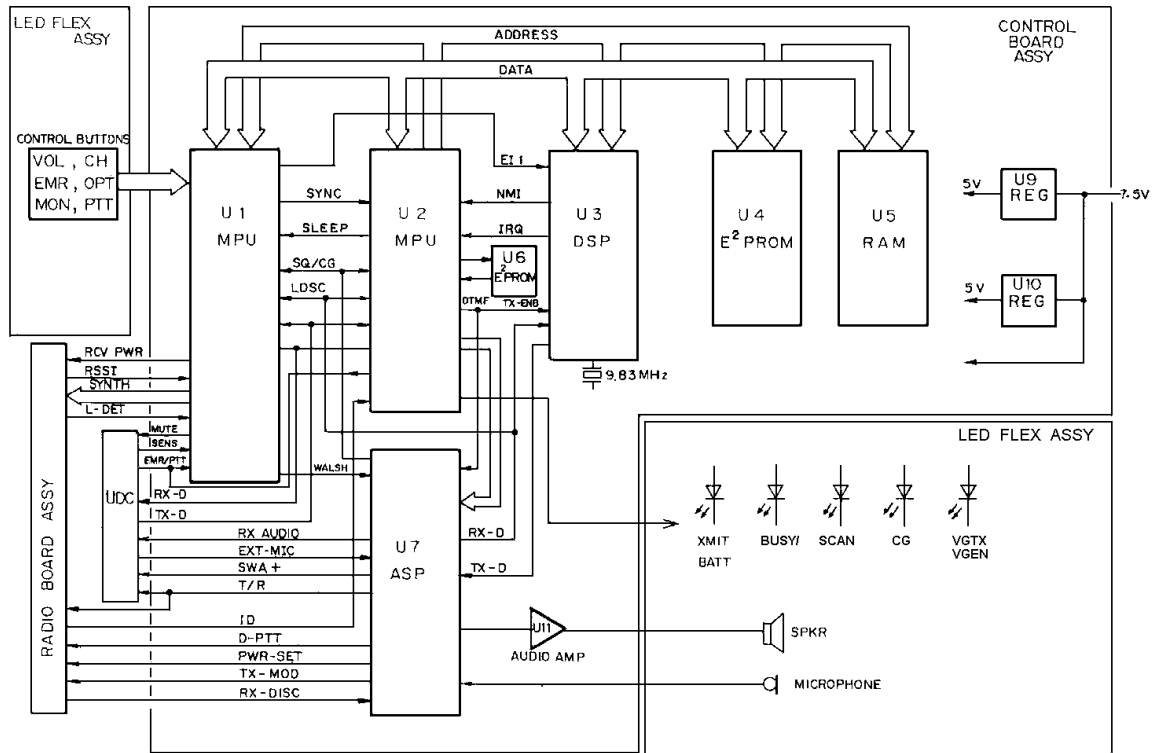
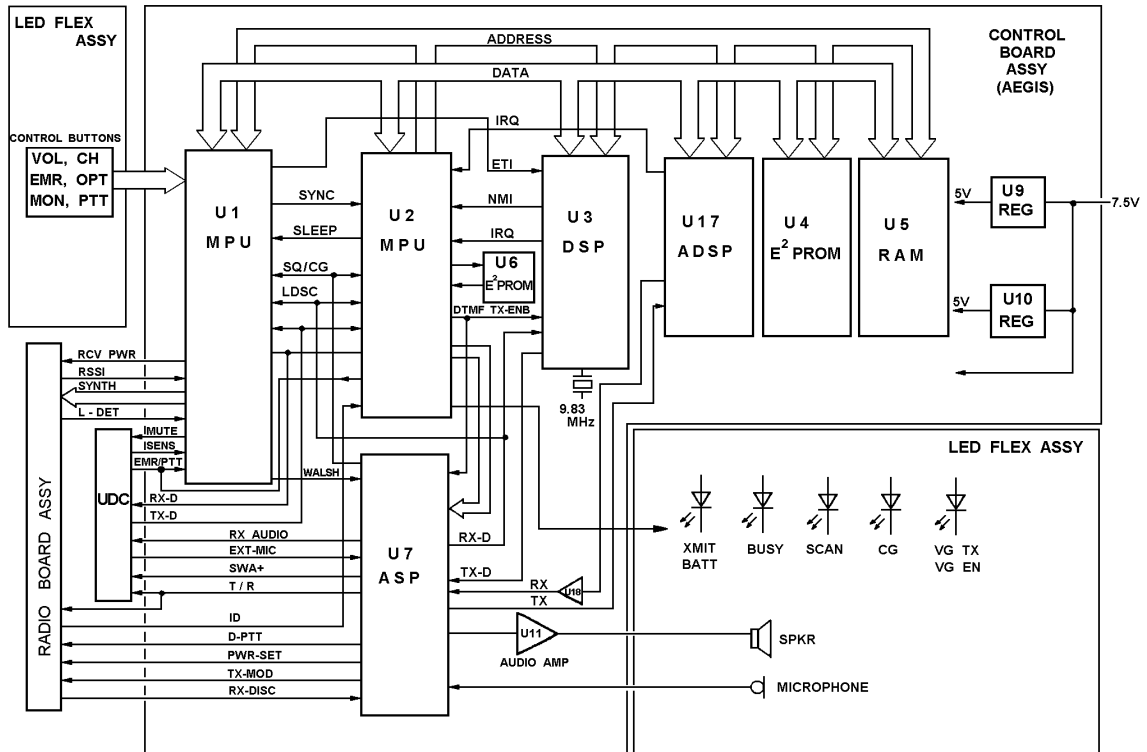


Figure 4 - Radio Block Diagram VHF/UHF (Switchable)



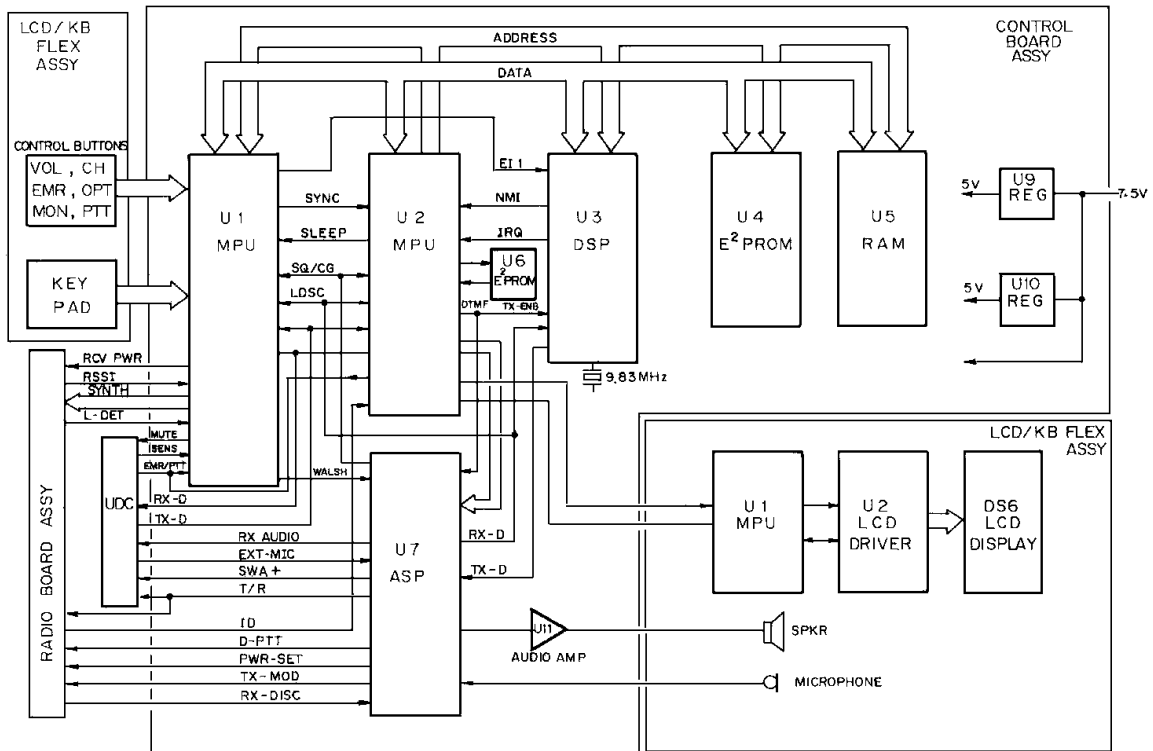
(A3WE05638, Rev. 1)

Figure 5 - M-RK I (Conv/EDACS) Logic Block Diagram



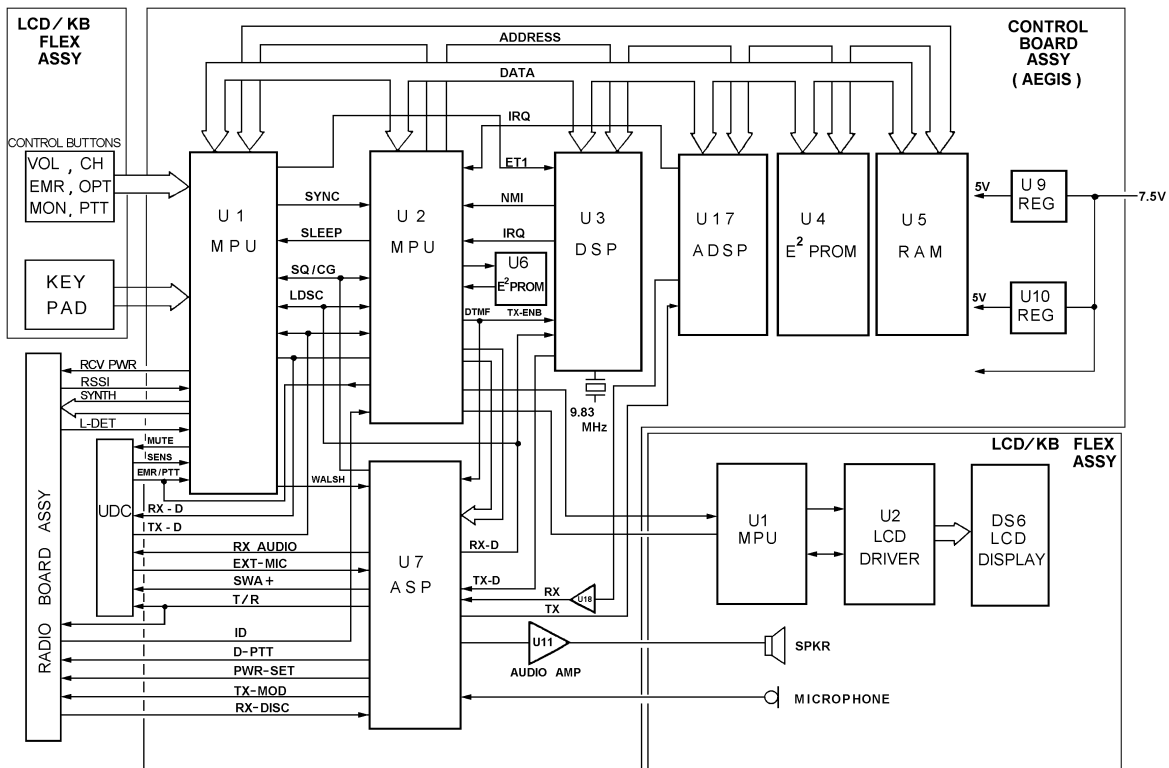
(A3WE06103, Rev. 0)

Figure 6 - M-RK I (AEGIS) Logic Block Diagram



(A3WE05639, Rev. 1)

Figure 7 - M-RK II & Scan (Conv/EDACS) Logic Block Diagram



(A3WE06104, Rev. 0)

Figure 8 - M-RK II & Scan (AEGIS) Logic Block Diagram

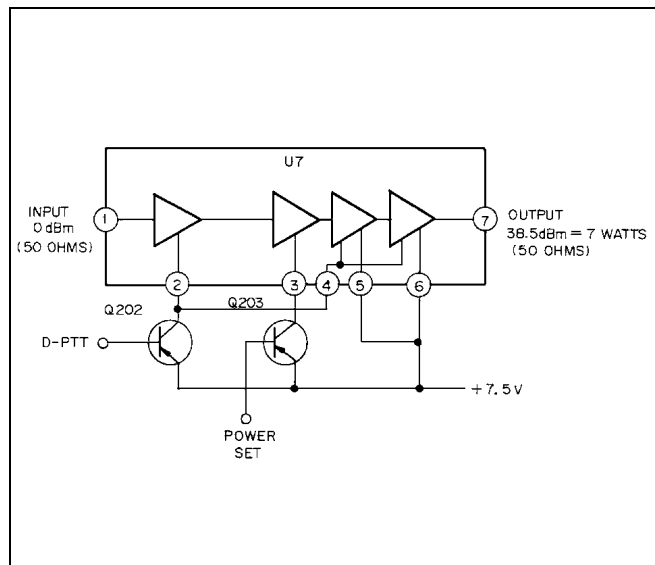


Figure 9 - Power Amplifier (PA) UHF

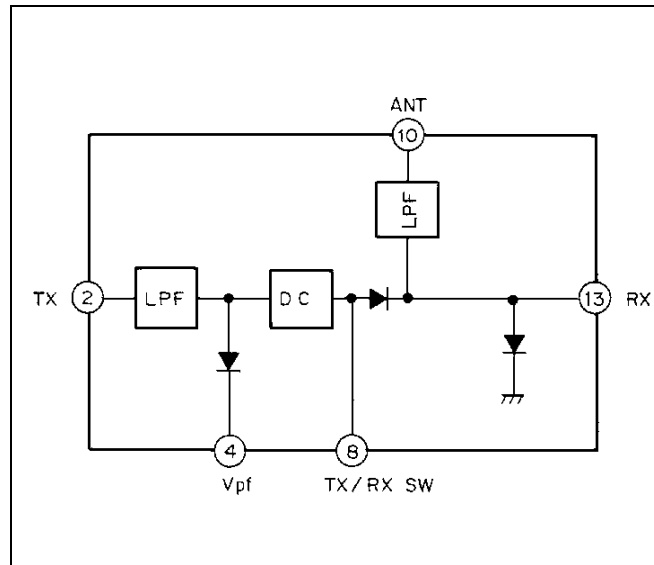


Figure 10 - LPF/ DC/ T/R SW Module (U8) VHF/UHF

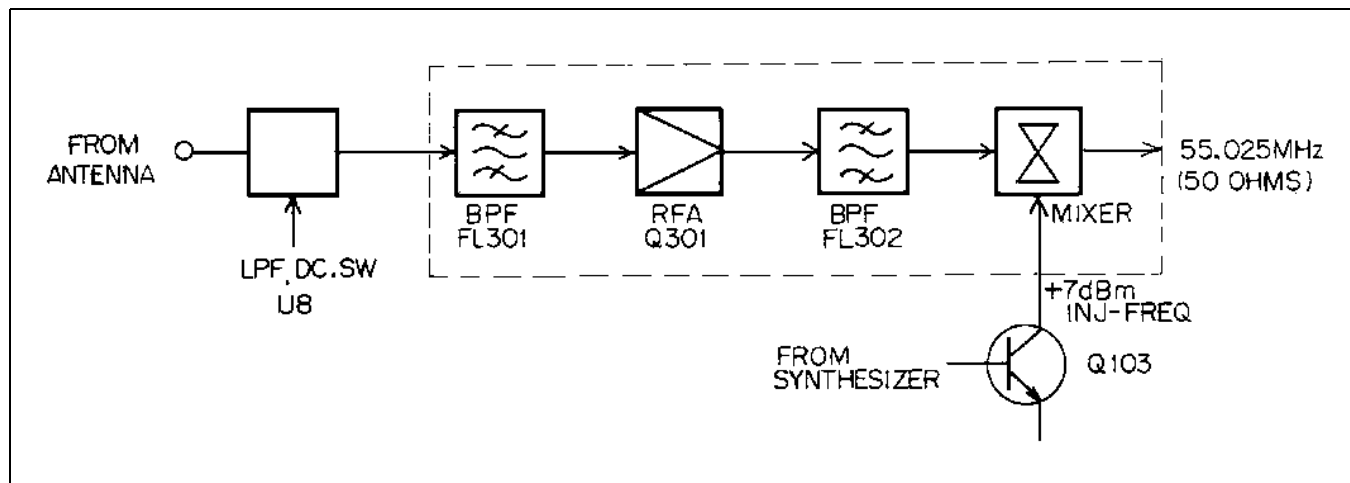


Figure 11 - RF Amplifier/Mixer

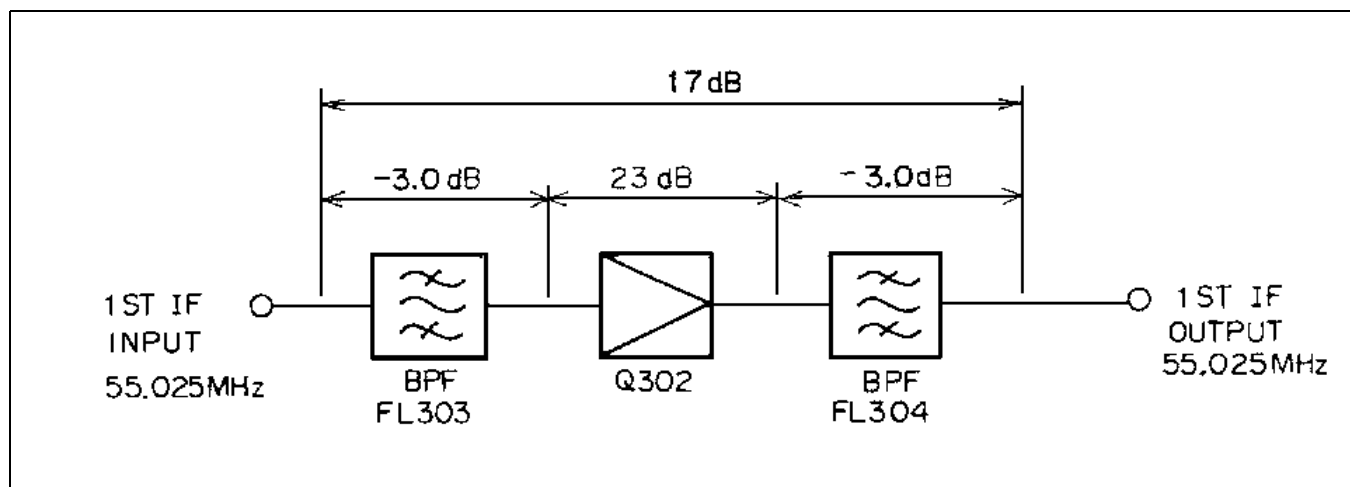


Figure 12 - First IF Amplifier

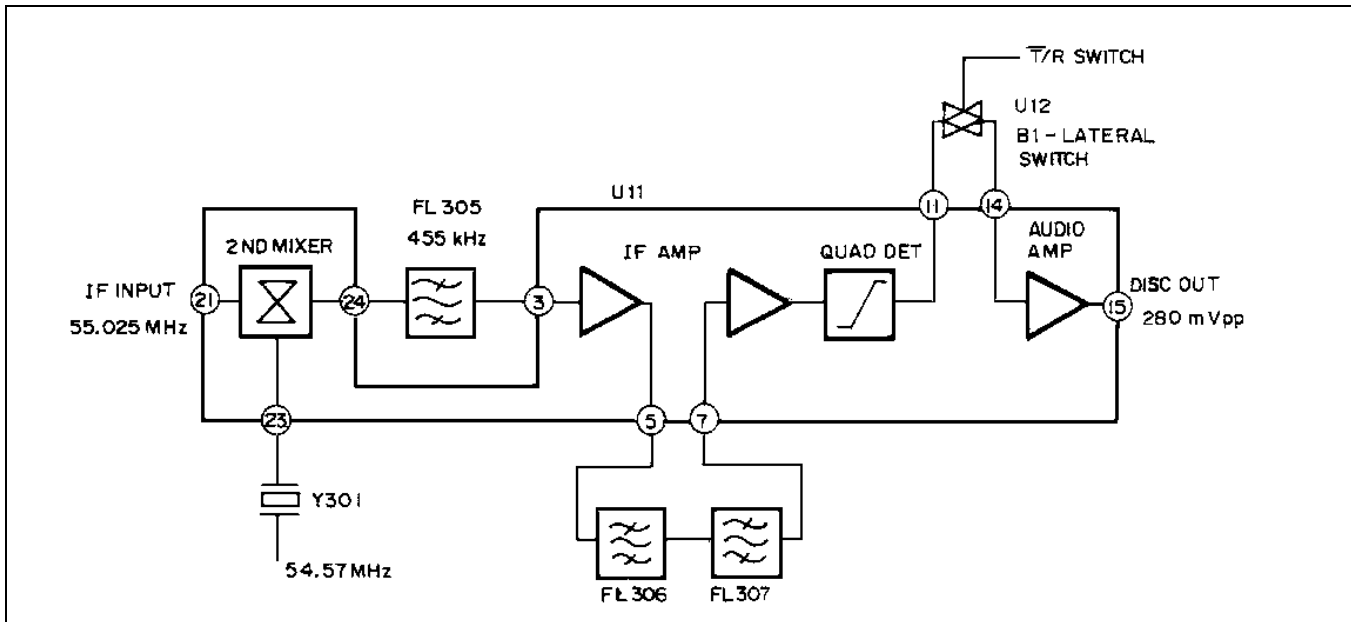


Figure 13 - Second IF Amplifier/Discriminator (Non-switchable)

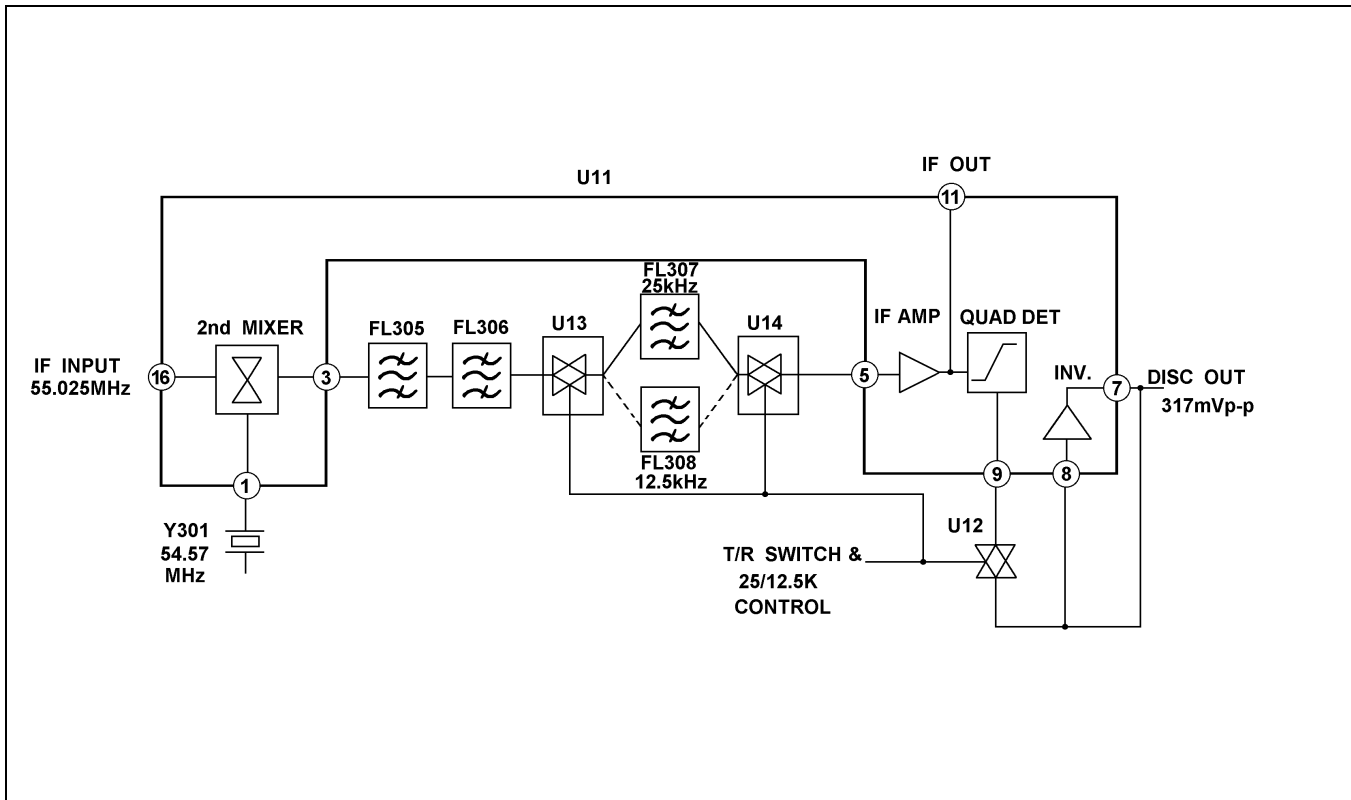


Figure 14 - Second IF Amplifier/Discriminator (Switchable)

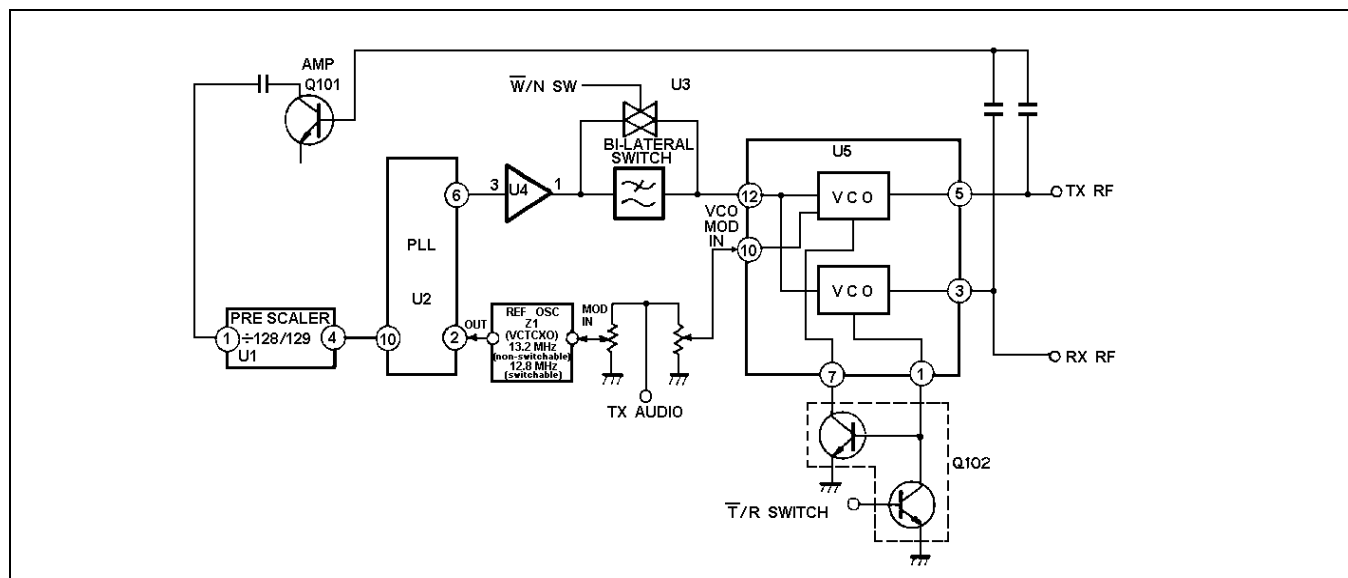


Figure 15 - Synthesizer

LED Flex Assembly (M-RK I)

The LED flex board is composed of the following items:

- LED (DS1, DS2, DS3)
- Volume Control with ON/OFF Switch (R8)
- Channel Select Switch (S1)
- Microphone (MK1)
- Speaker (LS1)

LCD/KB Flex Assembly (M-RK II & Scan)

The LCD/KB flex board composed of the following items:

- Display Processor (U1)
- LCD Drive IC (U2)
- LCD (DS6)
- Backlighting Circuit (Q1 and DS1 - DS5)
- Volume Control with ON/OFF Switch (R8)
- Channel Select Switch (S1)
- Microphone (MK1)
- Speaker (LS1)

The LCD driver converts data from the Display processor into a signal which can drive the LCD display. The LCD display is equipped with 16 character dot matrix and 15

ICONS. Microprocessor signals drive LCD driver which turns the LCD on. Also, this board has a backlighting circuit.

Keypad (M-RK II & Scan)

There are 15 key switches (keypads) on the System model of M-RK II. The keypads consist of flexible cable and rubber contacts, and each connect through cable to the microcomputer. There are 6 key switches on the M-RK II Scan model.

UDC

The UDC (located on the side of the radio housing) allows various kinds of external equipment connections to be made. External equipment connecting signals are as follows:

- | | |
|-------------------------------|----------------------------------|
| • EXT MIC IN | • $\overline{\text{EXT EMR IN}}$ |
| • 12V IN | • $\overline{\text{MUTE OUT}}$ |
| • AUDIO OUT | • $\overline{\text{EXT PTT IN}}$ |
| • SWA + OUT | • GND |
| • UDC SENS IN | • TX DATA IN |
| • $\overline{\text{T/R OUT}}$ | • RX DATA OUT |

The radio control microprocessor senses the value of voltage at the UDC sens line and switched the appropriate audio circuits to provide proper radio/accessory operation. The UDC voltage is set by the resistor within the UDC.

MAINTENANCE

This Maintenance section provides information on adjustment of the radio (transmit, receive, and synthesizer), preventive maintenance and a disassembly procedure. Information is also provided for removing and replacing chip component and module replacement. The Service Section, listed in the table of contents, provides a more complete set of alignment procedures for the radio plus a detailed troubleshooting procedure.

INITIAL ADJUSTMENT

The M-RK radio personality is programmed using an IBM compatible personal computer and programming software. The procedure is described in the applicable programming manual.

After the radio personality has been programmed, the following adjustments should be made by a qualified electronics technician.

Transmit Circuit Alignment

The transmit circuit is factory turned and should not require any readjustment. The frequency and modulation should be measured and recorded for future reference.

Receive Circuit

No initial adjustments to the receive circuit are required.

Synthesizer Circuit

No initial adjustments to the synthesizer are required.

PREVENTIVE MAINTENANCE

To ensure a high operating efficiency and to prevent mechanical and electrical failures, routine checks should be performed on all mechanical and electrical parts at regular intervals. Preventive maintenance should include the following checks.

Antenna

The antenna and antenna contact should be kept clean and free from dirt or corrosion. If the antenna or contact should become dirty or corroded, loss of radiation and a weak signal will result.

Mechanical Inspection

Since portable radio units are subject to shock and vibration, check, for loose plugs, nuts, screws and other parts to make sure that nothing is working loose.

Alignment

The transmit and receive circuit meter readings should be checked periodically and the alignment "touched up" when necessary. Refer to the applicable alignment procedure and troubleshooting sheet (found in the Service Section) for typical voltage readings.

Frequency Check

Check transmit frequency and deviation. Normally, these checks are made when the unit is first put into operation. They should be repeated after the first month of operation, then again one time each year.

DISASSEMBLY

Procedures to access the Radio Board Assy (transmit, receive, and synthesizer circuits) or Control Board Assy for servicing are explained in the following paragraphs.

CAUTION

Always remove the battery pack before removing any component board to avoid blowing the fuse.

- TORX screwdriver (T-8) 1
- Screwdriver (M2) 1
- Pencil type soldering iron (25-40 watts) with a fine tip. 1

REPLACEMENT

The major components of the M-RK Personal Radio are the PA, LPF/DC/T/R SW, VCO (Voltage-Controlled Oscillator), and the VCTCXO (Reference Oscillator). These are very reliable devices and will not normally need to be replaced. Before replacing any of these modules, always check out the associated circuitry carefully.

To remove any of these major components, refer to the applicated replacement procedure found in the Service Section.

TROUBLESHOOTING PROCEDURE

Maintenance of the M-RK Personal Radio is facilitated by using the Troubleshooting Procedures and service techniques unique to this radio. The Troubleshooting procedures are designed to quickly locate the defective component or circuit. These procedures are found in the Service Section.

WEATHERPROOF INTEGRITY

M-RK I radios are designed to meet MIL-810D & E specifications for immersion. The M-RK II and Scan radios are designed to meet MIL-810-D specification for Blowing Rain. All access to the M-RK radio are protected from water entry by suitable gaskets and seals. However, degradation due to use or disassembly during repairs, may affect the integrity of the seals as provided by factory assembly. A maintenance procedure is provided in the Service Section to assure that the radio housing will continue to meet the weatherproof features as designed.

