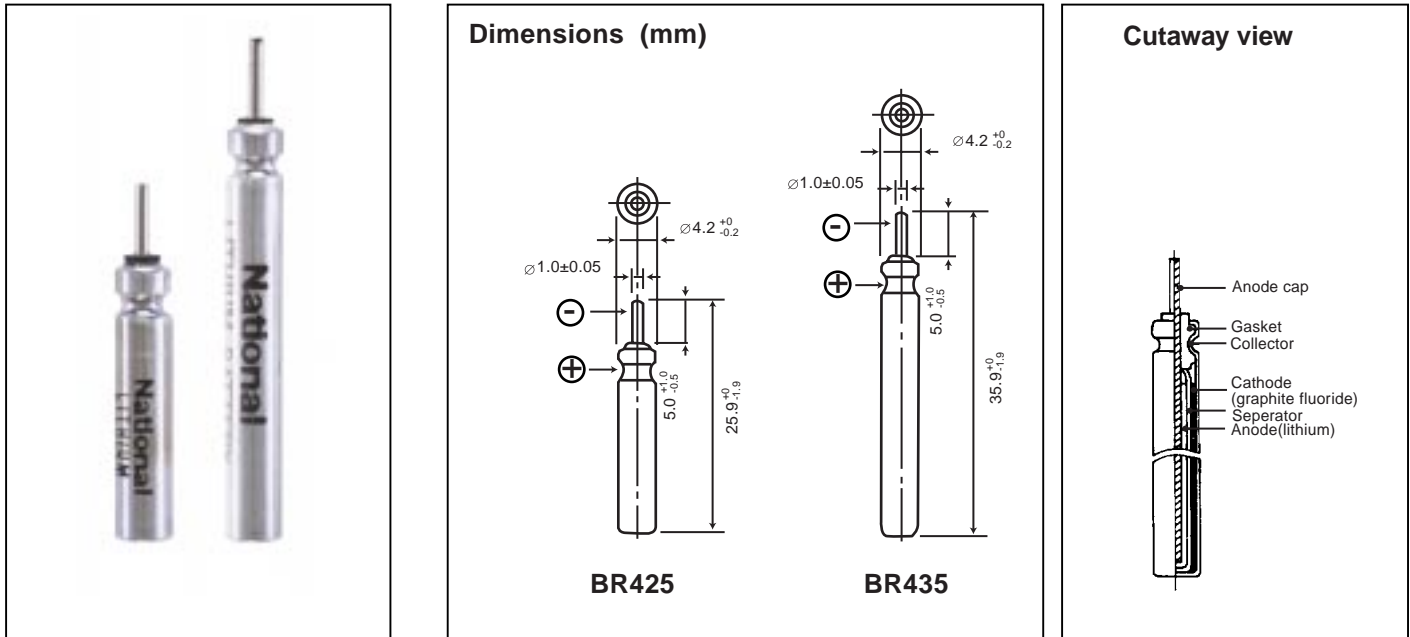


# PIN TYPE LITHIUM BATTERIES



## Overview

Pin type lithium batteries were first introduced by Panasonic. The predominant use of pin type batteries has been as the power supply for LED night fishing floats.

## Features

- **Voltage as high as 3 V, about twice that of dry batteries**  
The nominal voltage is 3 V, about twice that of manganese and alkaline button batteries. A single pin type lithium battery can light an LED.
- **Unique slim pin shape**  
They are slim, high energy-density batteries contained in an aluminum casing.

## Applications

- LED night fishing floats
- Fishing pole tip lights
- Various illuminations
- Toys

# PIN TYPE LITHIUM BATTERIES - CONTINUED

## Specification Table

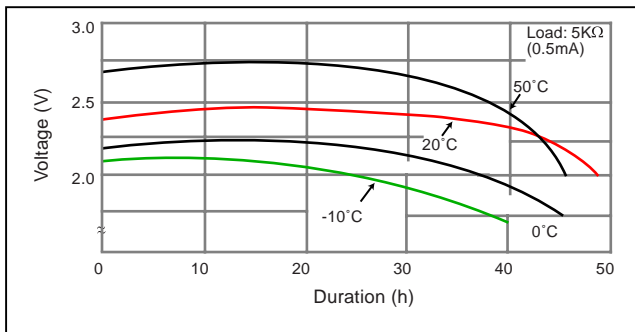
Model No.	JIS	IEC	Electrical characteristics 20°C				Dimensions (Max.)		Approx. weight (g)
			Nominal voltage (V)	Nominal capacity* <sup>1</sup> (mAh)	Continuous drain		Diameter (mm)	Height (mm)	
					Maximum (mA)	Standard (mA)			
BR425	---	---	3	25	4	0.5	4.2	25.9	0.55
BR435	---	---	3	50	6	1	4.2	35.9	0.85

\* 1 Nominal capacity shown above is based on standard drain and cut off voltage down to 2.5 V at 20°C

## Individual data sheets

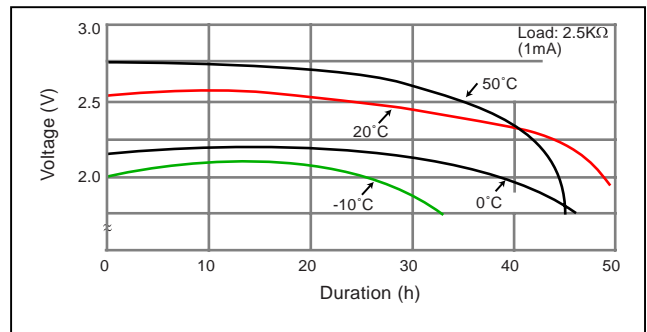
### BR425

#### Discharge temperature characteristics

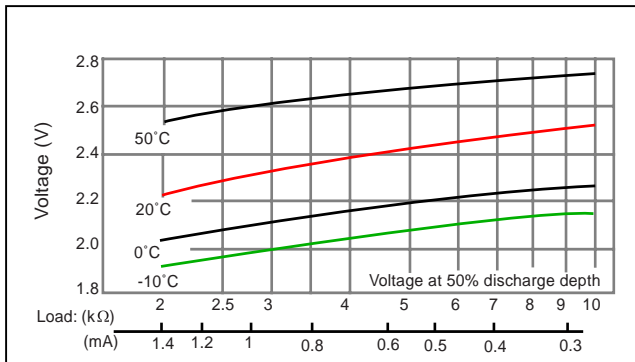


### BR435

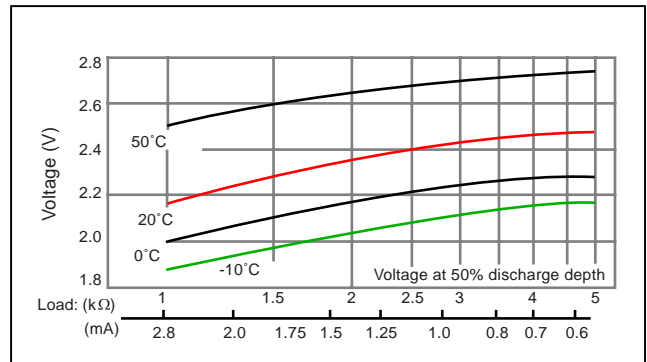
#### Discharge temperature characteristics



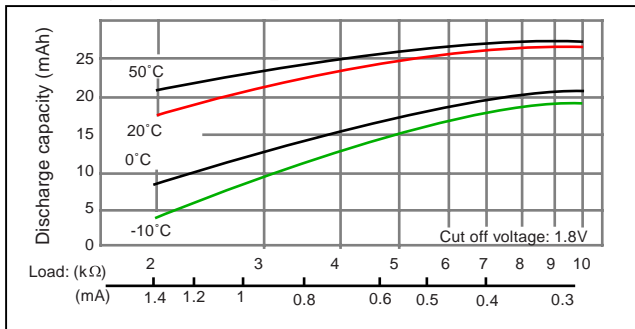
#### Discharge load vs. operating voltage



#### Discharge load vs. operating voltage



#### Discharge load vs. capacity



#### Discharge load vs. capacity

