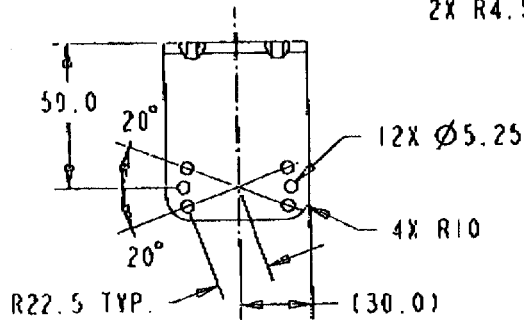
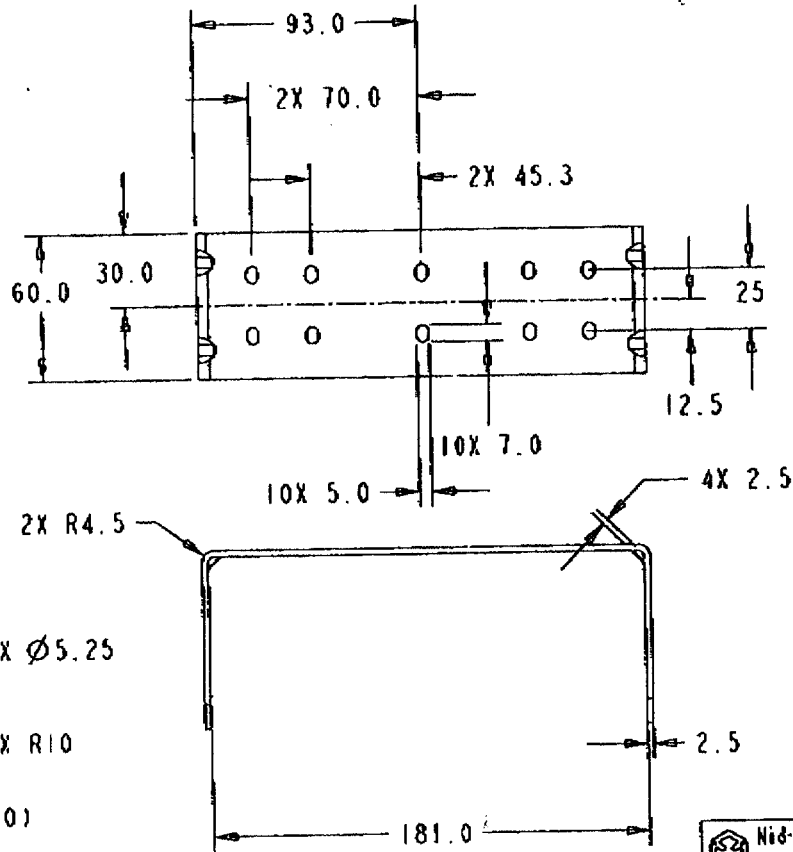


NOTES:

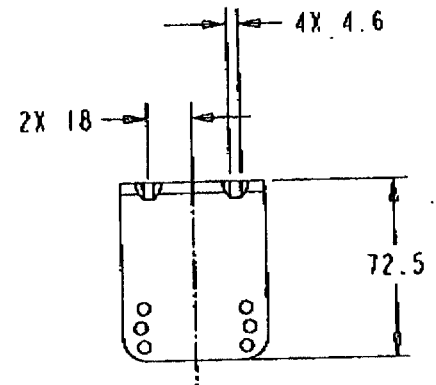
- MATERIAL: CR STEEL  
 COLOR: MATCH NCS S 9000 N BLACK  
 FINISH: MATCH 19A705362 P11 BLACK-COARSE POWDER COATING
- NO BURRS ALLOWED

REVISIONS			
Issue	Change	Date	App'd
A	INITIAL RELEASE	1/20/93	RFB
	ECO# A2710	4/1/97	PS



UNCONTROL COPY  
 Distribution

APR 12 1997



<b>Mid-South Products Engineering, Inc.</b> Gadsden, AL 35902		Description:	
Telephone - ext: 48 otherwise specified:		***CAD DRAWING*** NO MANUAL CHANGES ALLOWED.	
1 Place ± .75	Date: 14-Jan-97	Designed By: RFB	B   01895-00
2 Place ± .125	Designed By: TFS	Checked By:	Part Number: SW1315-96
3 Place ±	Dimension Units: MM	Scale: 0.500	Sheet 1 of 1