

**SERVICE ASSEMBLIES
FOR M-RK RADIOS**

TABLE OF CONTENTS

	<u>Page</u>
INTERCONNECTION DIAGRAM	
M-RK I	2
M-RK II/SCAN	3
ASSEMBLIES	
M-RK I (FCC/DOC) Analog/256K Flash	4
M-RK I (FCC/DOC/ETS) Analog/256K Flash Non-Switchable	4
M-RK I (AEGIS) Non-Switchable/256K Flash (FCC/DOC/ETS)	5
M-RK I (FCC/DOC) 512K Flash/Analog Non-Switchable	5
M-RK I (FCC/DOC/ETS) Switchable, Analog/512K Flash	6
M-RK I (AEGIS) Switchable, 512K Flash (FCC/DOC/ETS)	6
M-RK II (FCC/DOC) Non-Switchable Analog/256K Flash	7
M-RK II (FCC/DOC/ETS) Non-Switchable Analog/256K Flash	7
M-RK II (AEGIS) Non-Switchable (FCC/DOC/ETS) 256K Flash	8
M-RK II (FCC/DOC) 512K Flash/Analog, Non-Switchable	8
M-RK II (FCC/DOC/ETS) Switchable, 512K Flash/Analog	9
M-RK II (AEGIS) Switchable, 512K Flash/(FCC/DOC/ETS)	9
M-RK II SCAN (FCC/DOC/ETS), Analog, 256K Flash, Non-Switchable	10
M-RK II SCAN (AEGIS) Non-Switchable, (FCC/DOC/ETS), 256K Flash	10
M-RK II SCAN (FCC/DOC/ETS) Switchable, 512K Flash Analog	11
M-RK II SCAN (AEGIS) Switchable, 512K Flash (FCC/DOC/ETS)	11
M-RK I Front Assembly	12
M-RK II Front Assembly	12
M-RK II SCAN Front Assembly	13
M-RK I/II/SCAN Rear Assembly	13
M-RK I Analog LED Flex Assembly	14
M-RK I (AEGIS) LED Flex Assembly	14

Continued

TABLE OF CONTENTS - Cont.

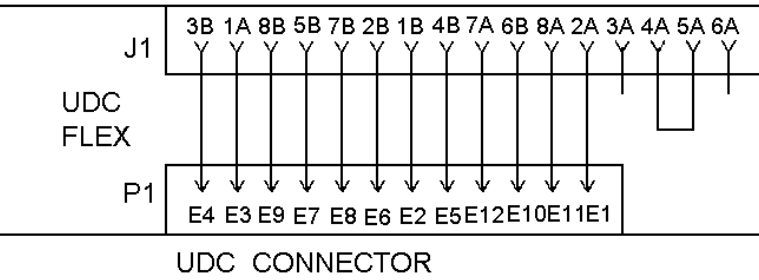
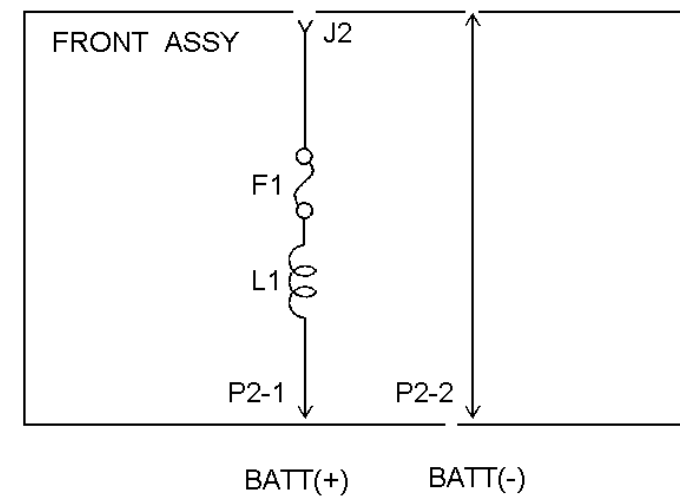
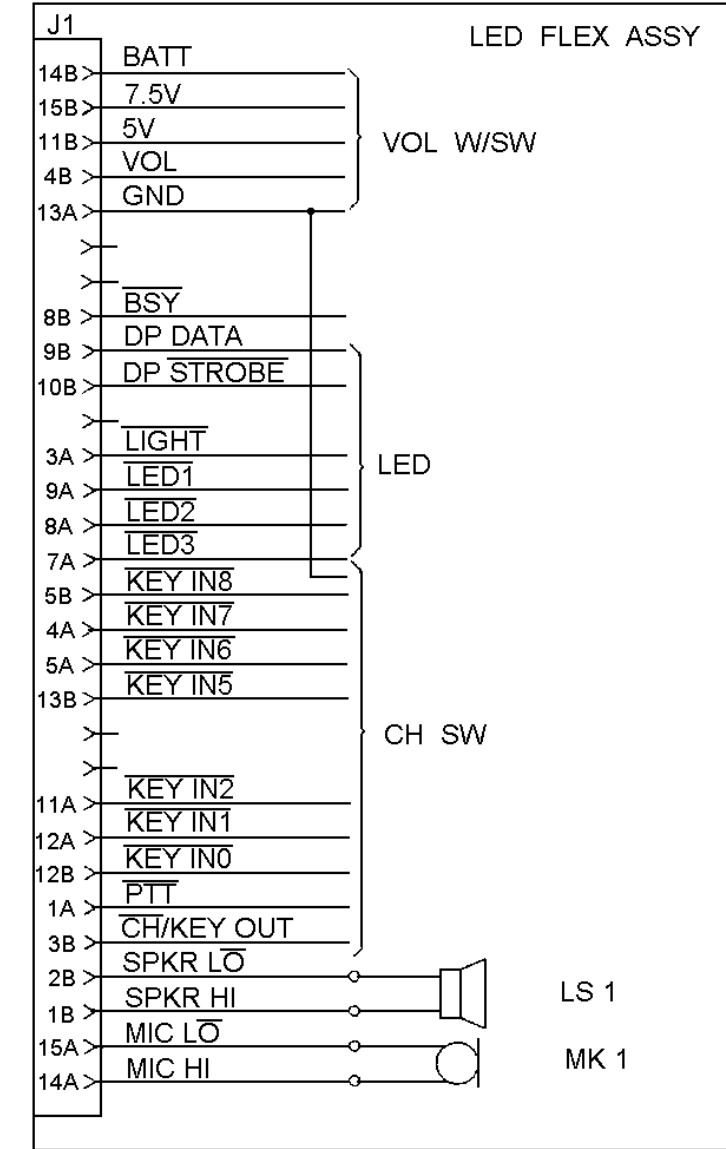
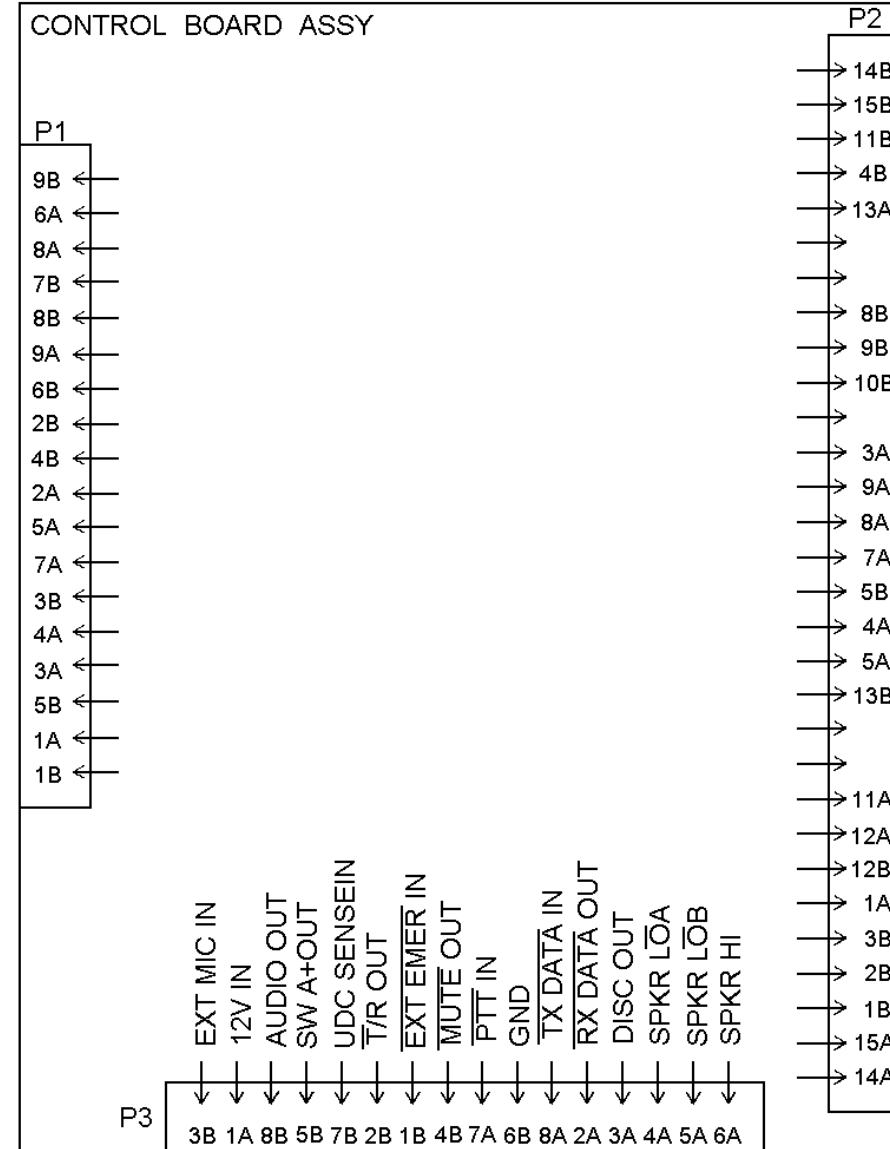
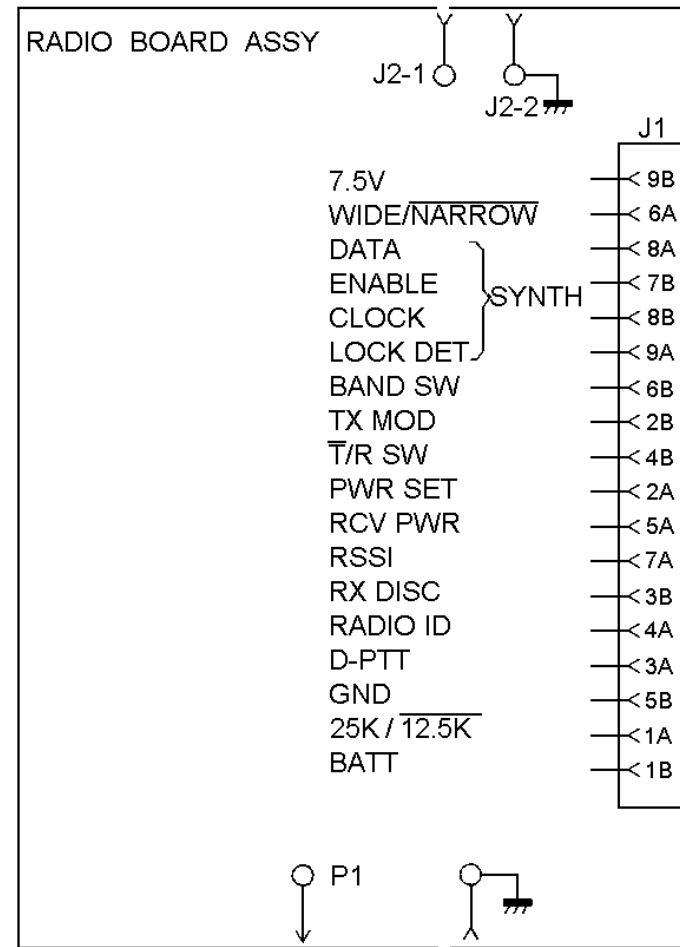
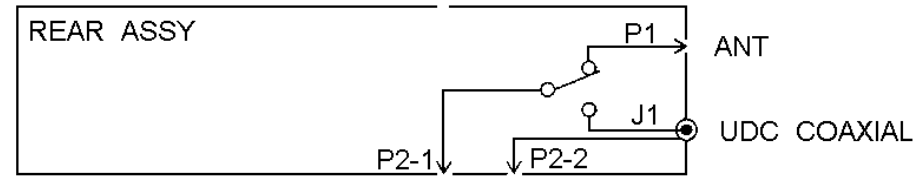
	<u>Page</u>
ASSEMBLIES - Cont.	
M-RK II/SCAN (Analog), LCD/KB Flex Assembly	15
M-RK II/SCAN (AEGIS) LCD/KB Flex Assembly	15
M-RK I/II/SCAN (FCC/DOC/ETS) RF Assembly	16
M-RK I/II/SCAN (AEGIS) RF Assembly	16
COMPONENT LAYOUT	
Control Board (Analog) 256K Flash	17
Control Board (AEGIS) 256K Flash	18
Control Board (Analog) 512K Flash	19
Control Board (AEGIS) 512K Flash	20
RF Board (FCC/DOC) VHF/UHF, Non-Switchable	21
RF Board (FCC/DOC/ETS) VHF/UHF, Non-Switchable	22
RF Board (FCC/DOC/ETS), VHF/UHF, Switchable	23
RF Board (FCC/DOC) 800/900 MHz	24
M-RK I (Analog/AEGIS) LED Flex Assembly	25
MRK II/SCAN (Analog/AEGIS) LCD/KB Flex Assembly	26
SCHEMATIC DIAGRAM	
Control Board (Analog) 256K Flash	27, 28
Control Board (Analog) 512K Flash	29, 30
Control Board (AEGIS) 256K Flash	31, 32
Control Board (AEGIS) 512K Flash	33, 34
RF Board (FCC/DOC) VHF, Non-Switchable	35
RF Board (FCC/DOC/ETS) VHF, Non-Switchable	36
RF Board (FCC/DOC/ETS) VHF, Switchable	37
RF Board (FCC/DOC) UHF, Non-Switchable	38
RF Board (FCC/DOC/ETS) UHF Non-Switchable	39

Continued

TABLE OF CONTENTS - Cont.

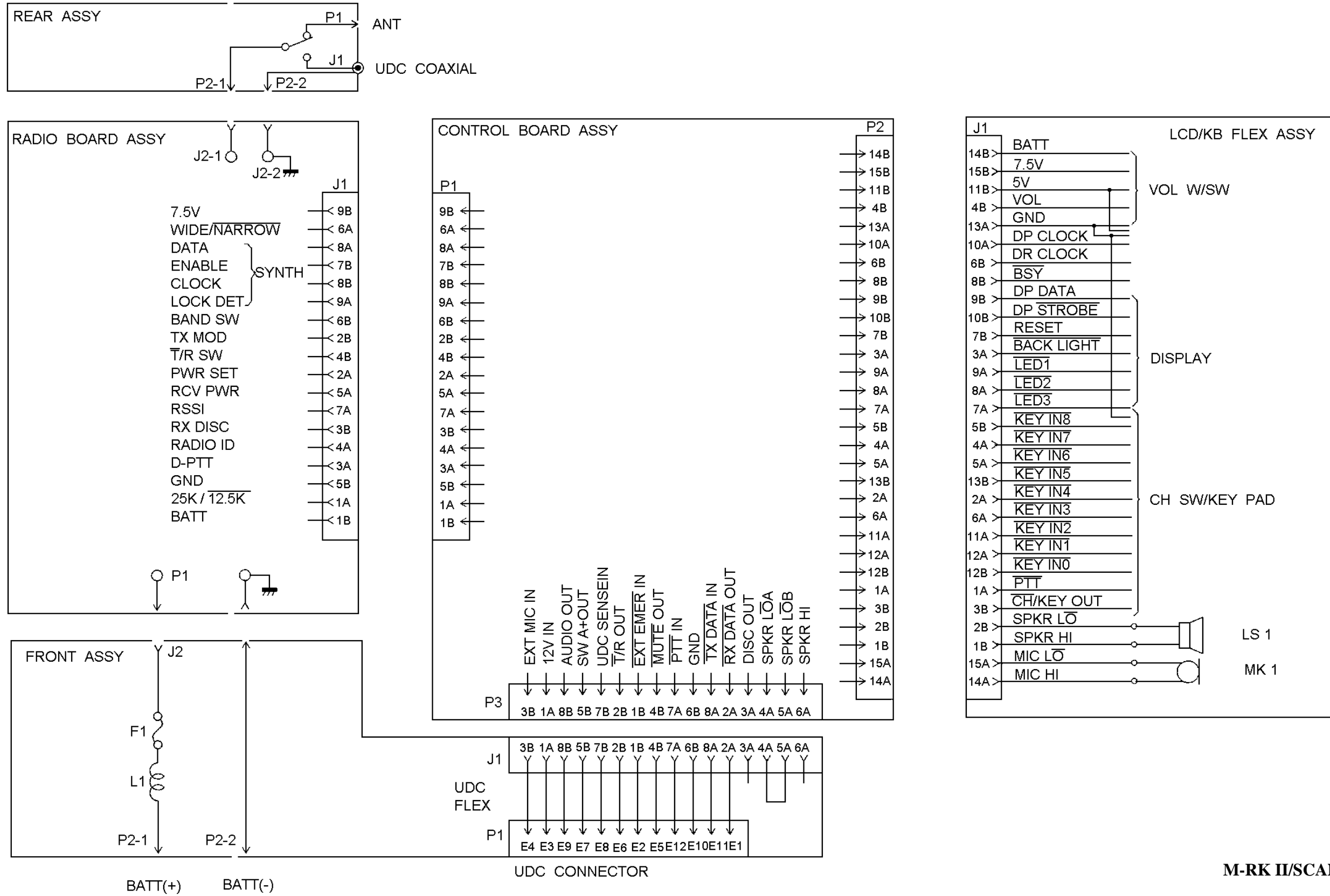
	<u>Page</u>
SCHEMATIC DIAGRAM - Cont.	
RF Board (FCC/DOC/ETS) UHF Switchable	40
RF Board (ETS) UHF 12.5 kHz Channel Spacing Only	41
RF Board (FCC/DOC) 800 MHz	42
RF Board (FCC/DOC) 900 MHz	43
M-RK I (Analog) LED Flex Assembly	44
M-RK I (AEGIS) LED Flex Assembly	44
MRK II/SCAN (Analog) LCD/KB Flex Assembly	45
MRK II/SCAN (AEGIS) LCD/KB Flex Assembly	46

This manual is published by **Ericsson Inc.**, without any warranty. Improvements and changes to this manual necessitated by typographical errors, inaccuracies of current information, or improvements to programs and/or equipment, may be made by **Ericsson Inc.**, at any time and without notice. Such changes will be incorporated into new editions of this manual. No part of this manual may be reproduced or transmitted in any form or by any means, electronic or mechanical, including photocopying and recording, for any purpose, without the express written permission of **Ericsson Inc.**



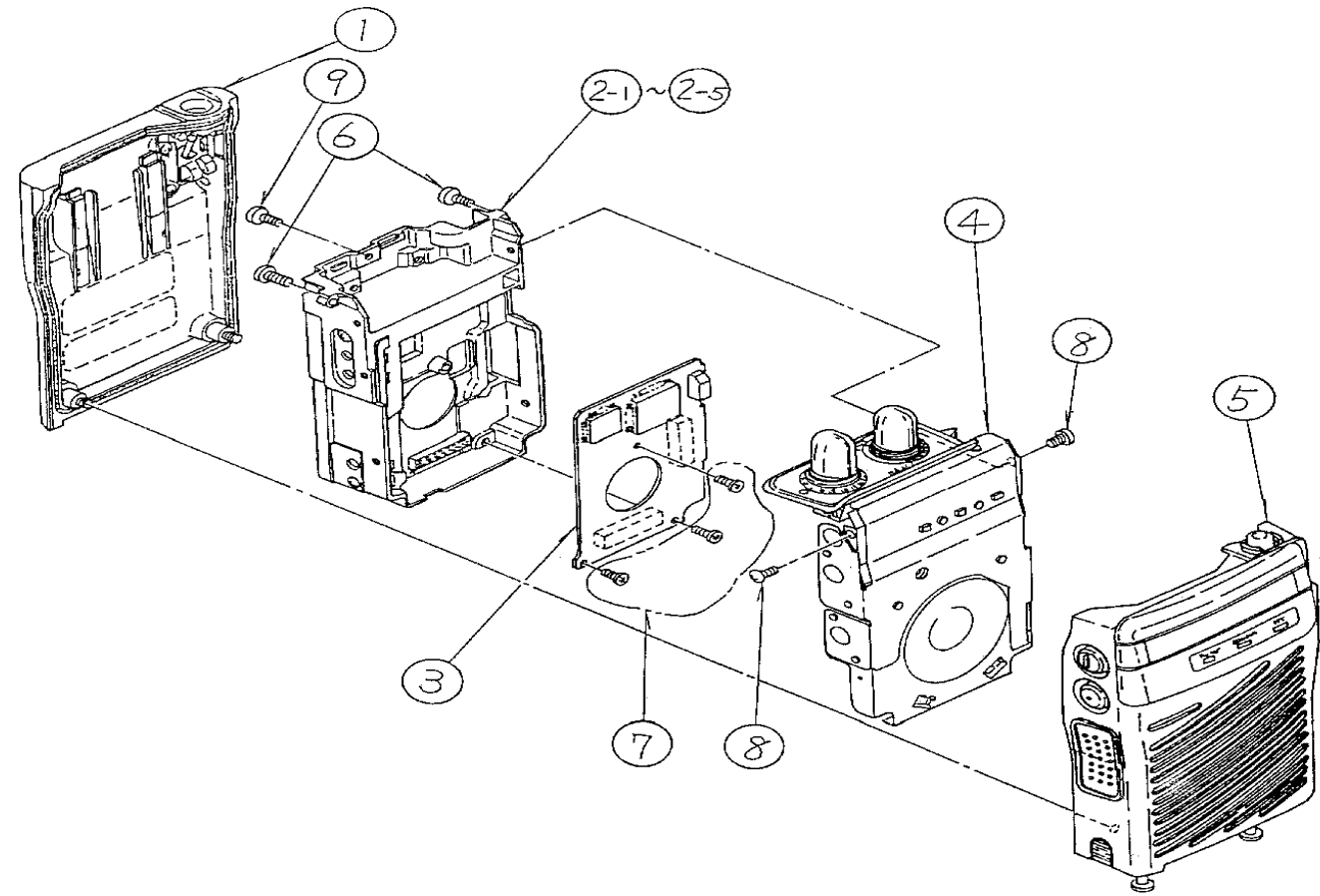
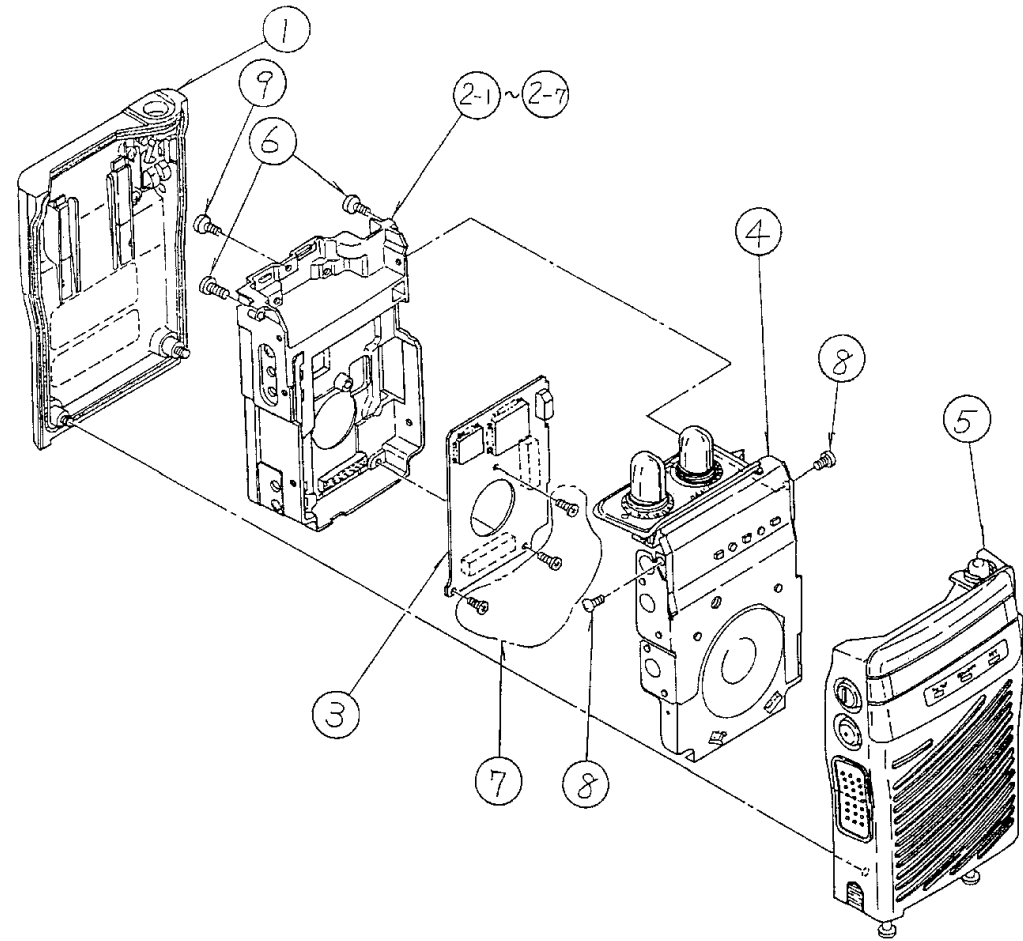
INTERCONNECTION DIAGRAM

LBI-38746G



M-RK II/SCAN

(A3WB05453, Rev. 3)



344A3937P1 ~ P7		
SYMBOL	Parts Number*	Description
1	AS00000032	REAR ASSY
2-1	AS00000115	RADIO BOARD ASSY 136 - 160 MHz
2-2	AS00000123	RADIO BOARD ASSY 150 - 174 MHz
2-3	AS00000131	RADIO BOARD ASSY 403 - 430 MHz
2-4	AS00000149	RADIO BOARD ASSY 440 - 470 MHz
2-5	AS00000156	RADIO BOARD ASSY 470 - 500 MHz
2-6	AS00000164	RADIO BOARD ASSY 806 - 869 MHz
2-7	AS00000172	RADIO BOARD ASSY 896 - 941 MHz
3	AS00000065	CONTROL BOARD ASSY
4	AS00000040	LED FLEX ASSY (M-RK I)
5	AS00000016	FRONT ASSY (M-RK I)
6	3NAX003096	PAN HEAD SCREW, M2x6
7	3NAX003146	PAN HEAD SCREW W/SW, M2x4
8	3NAX003088	PAN HEAD SCREW, M2x2
9	3NAX003138	PAN HEAD TAPPING SCREW, M2x4, BLK

*Prefix with "K19/" when ordering replacement parts

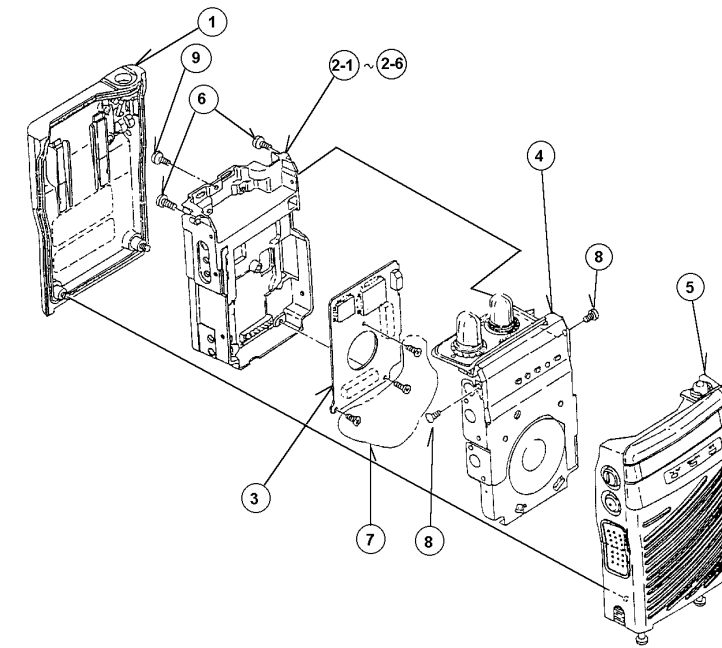
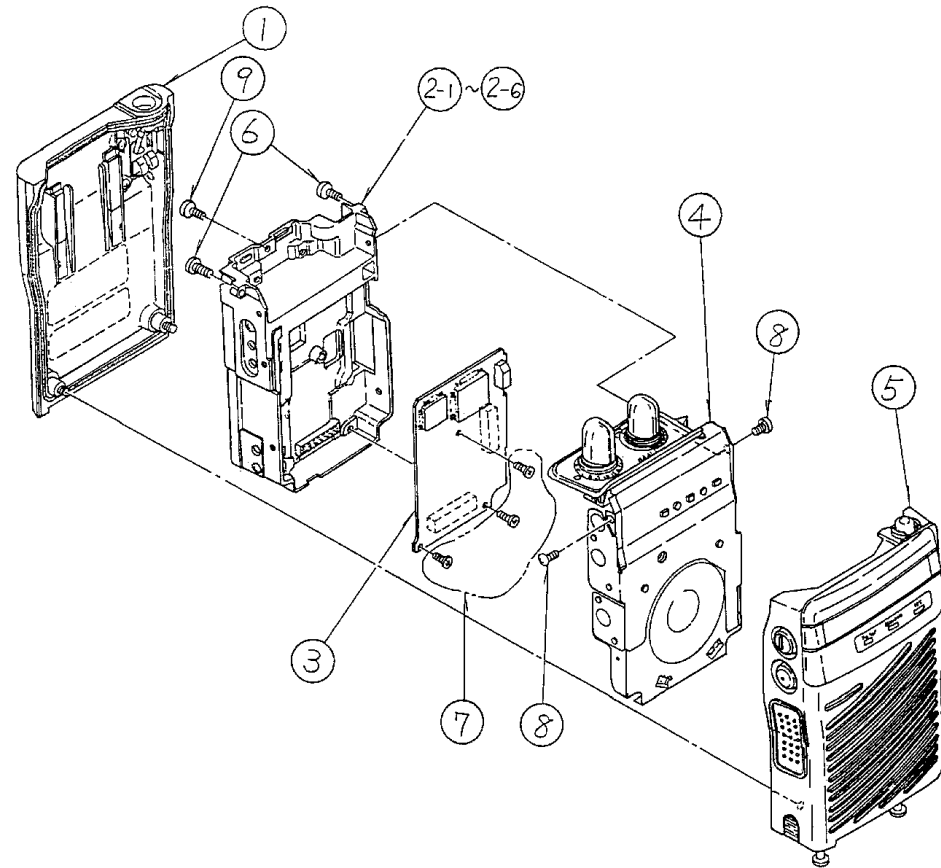
344A3937P21 ~ P25		
SYMBOL	Parts Number*	Description
1	AS00000032	REAR ASSY
2-1	AS00001014	RADIO BOARD ASSY 136 - 160 MHz
2-2	AS00001022	RADIO BOARD ASSY 150 - 174 MHz
2-3	AS00001030	RADIO BOARD ASSY 403 - 430 MHz
2-4	AS00001048	RADIO BOARD ASSY 440 - 470 MHz
2-5	AS00001055	RADIO BOARD ASSY 470 - 500 MHz
3	AS00000065	CONTROL BOARD ASSY
4	AS00000040	LED FLEX ASSY (M-RK I)
5	AS00000016	FRONT ASSY (M-RK I)
6	3NAX003096	PAN HEAD SCREW, M2x6
7	3NAX003146	PAN HEAD SCREW W/SW, M2x4
8	3NAX003088	PAN HEAD SCREW, M2x2
9	3NAX003138	PAN HEAD TAPPING SCREW, M2x4, BLK

**M-RK I (FCC/DOC) ANALOG/256K FLASH
NON-SWITCHABLE**

(A3WL16623, Rev. 2)

**M-RK I (FCC/DOC/ETS) ANALOG/256K FLASH
NON-SWITCHABLE**

(A3WL17788, Rev. 0)



344A3937P41 ~ P46		
SYMBOL	Parts Number*	Description
1	AS00000032	REAR ASSY
2-1	AS00001063	RADIO BOARD ASSY 136 - 160 MHz
2-2	AS00001071	RADIO BOARD ASSY 150 - 174 MHz
2-3	AS00001089	RADIO BOARD ASSY 403 - 430 MHz
2-4	AS00001097	RADIO BOARD ASSY 440 - 470 MHz
2-5	AS00001105	RADIO BOARD ASSY 470 - 500 MHz
2-6	AS00001113	RADIO BOARD ASSY 806 - 869 MHz
3	AS00001147	CONTROL BOARD ASSY
4	AS00001121	LCD/KB FLEX ASSY (M-RK II/SCAN)
5	AS00000016	FRONT ASSY (M-RK II)
6	3NAX003096	PAN HEAD SCREW, M2x6
7-1	3NAX003146	PAN HEAD SCREW W/SW, M2x4
7-2	3NAA425468	BIND SCREW, M2x5
8	3NAX003088	PAN HEAD SCREW, M2x2
9	3NAX003138	PAN HEAD TAPPING SCREW, M2x4, BLK

344A3937P106 ~ P107		
SYMBOL	Parts Number*	Description
1	AS00000032	REAR ASSY
2-1	AS00000164	RADIO BOARD ASSY 806 - 869 MHz
2-2	AS00000172	RADIO BOARD ASSY 896 - 941 MHz
3	AS00001196	CONTROL BOARD ASSY
4	AS00000040	LED FLEX ASSY (M-RK I)
5	AS00000016	FRONT ASSY (M-RK I)
6	3NAX003096	PAN HEAD SCREW, M2x6
7	3NAX003146	PAN HEAD SCREW W/SW, M2x4
8	3NAX003088	PAN HEAD SCREW, M2x2
9	3NAX003138	PAN HEAD TAPPING SCREW, M2x4, BLK

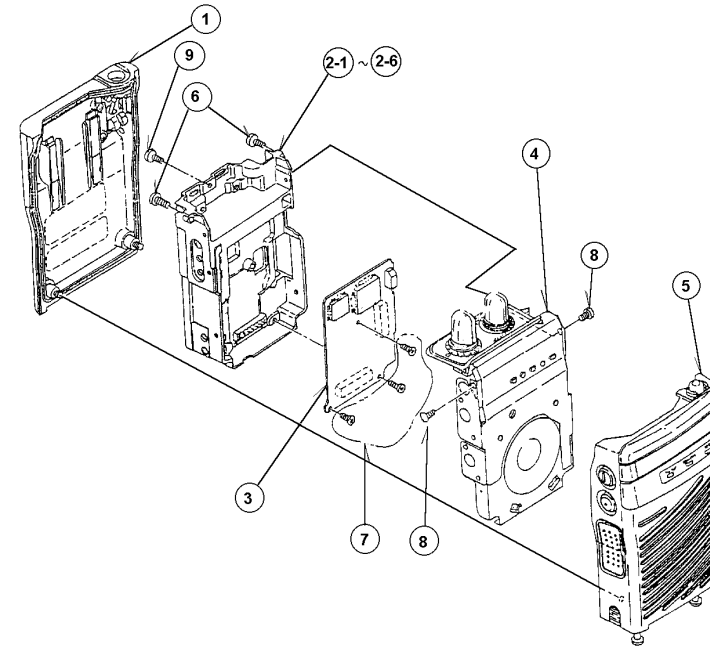
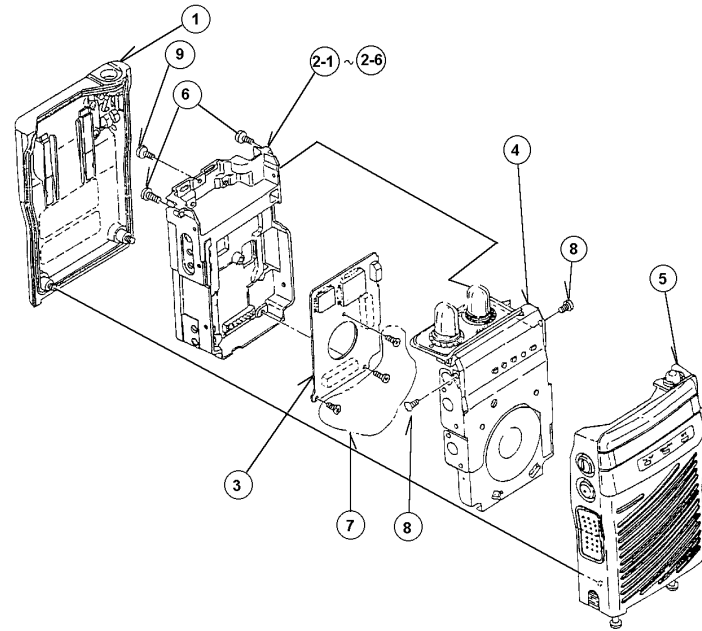
*Prefix with "K19/" when ordering replacement parts

**M-RK I (AEGIS) /256K FLASH
(FCC/DOC/ETS)
NON-SWITCHABLE**

(A3WL17790, Rev. 2)

**M-RK I (FCC/DOC)
ANALOG/512K FLASH
NON-SWITCHABLE**

(A3WL18220, Rev. 0)



344A3937P221 ~ P225, P228		
SYMBOL	Parts Number*	Description
1	AS00000032	REAR ASSY
2-1	AS00001212	RADIO BOARD ASSY 136 - 160 MHz
2-2	AS00001220	RADIO BOARD ASSY 150 - 174 MHz
2-3	AS00001238	RADIO BOARD ASSY 403 - 430 MHz
2-4	AS00001246	RADIO BOARD ASSY 440 - 470 MHz
2-5	AS00001253	RADIO BOARD ASSY 470 - 500 MHz
2-6	AS00001261	RADIO BOARD ASSY 806 - 869 MHz
3	AS00001196	CONTROL BOARD ASSY
4	AS00000040	LED FLEX ASSY (M-RK I)
5	AS00000016	FRONT ASSY (M-RK I)
6	3NAX003096	PAN HEAD SCREW, M2x6
7-1	3NAX003146	PAN HEAD SCREW W/SW, M2x4
7-2	3NAA425468	BIND SCREW, M2x2
8	3NAX003088	PAN HEAD SCREW, M2x2
9	3NAX003138	PAN HEAD TAPPING SCREW, M2x4, BLK

*Prefix with "K19/" when ordering replacement parts

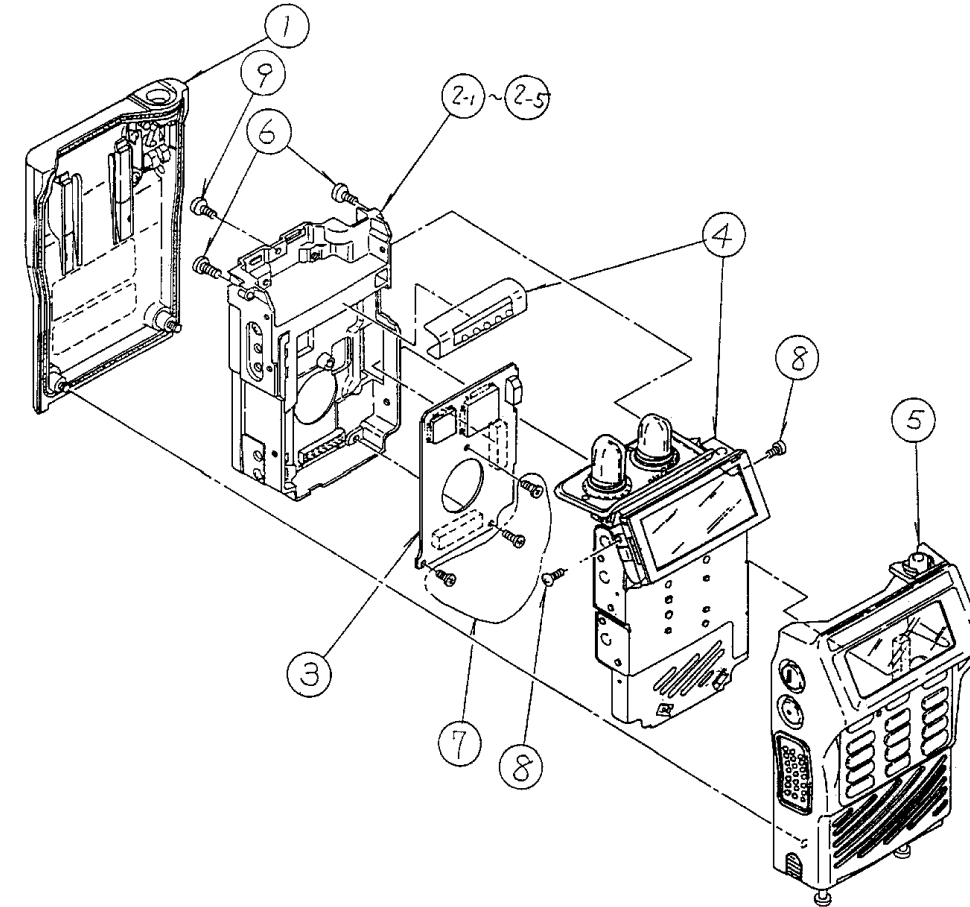
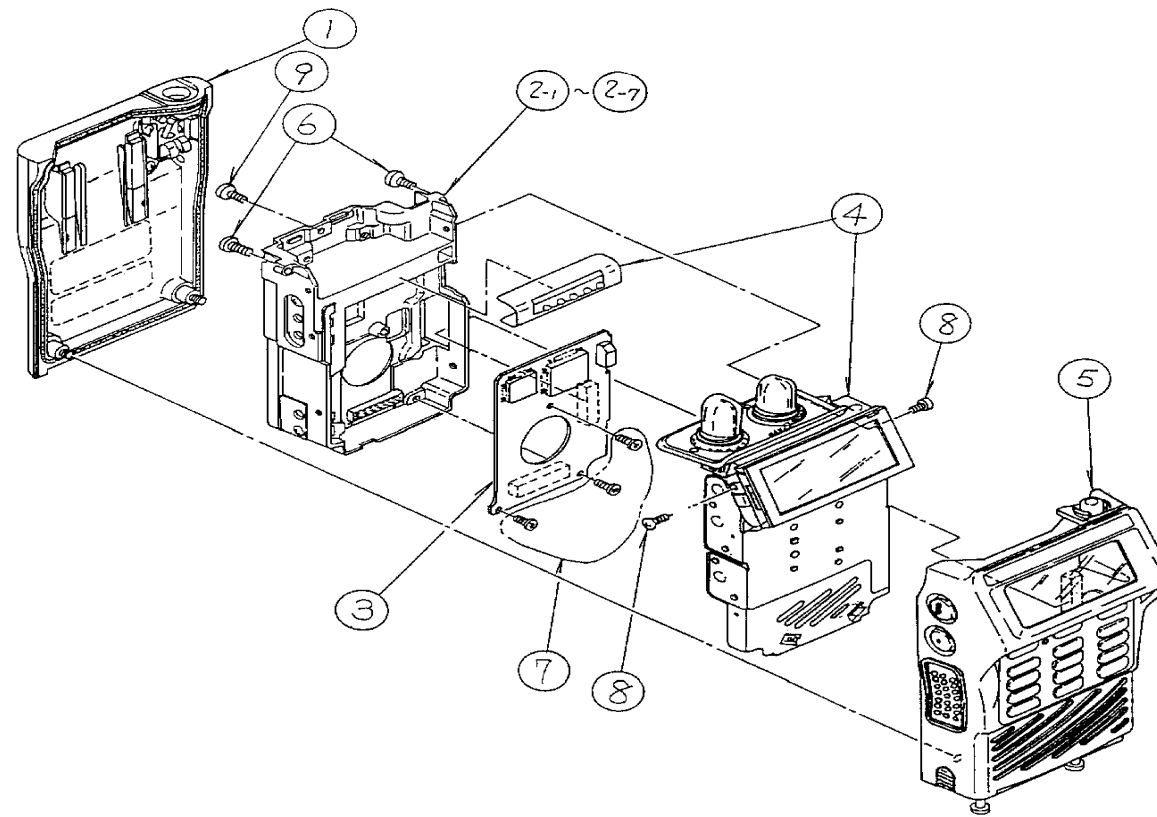
344A3937P241 ~ P245, P146, P248		
SYMBOL	Parts Number*	Description
1	AS00000032	REAR ASSY
2-1	AS00001279	RADIO BOARD ASSY 136 - 160 MHz
2-2	AS00001287	RADIO BOARD ASSY 150 - 174 MHz
2-3	AS00001295	RADIO BOARD ASSY 403 - 430 MHz
2-4	AS00001303	RADIO BOARD ASSY 440 - 470 MHz
2-5	AS00001311	RADIO BOARD ASSY 470 - 500 MHz
2-6	AS00001113	RADIO BOARD ASSY 806 - 869 MHz
2-7	AS00001329	RADIO BOARD ASSY 378 - 403 MHz
3	AS00001204	CONTROL BOARD ASSY
4	AS00001121	LED FLEX ASSY (M-RK I)
5	AS00000016	FRONT ASSY (M-RK I)
6	3NAX003096	PAN HEAD SCREW, M2x6
7-1	3NAX003146	PAN HEAD SCREW W/SW, M2x4
7-2	3NAA425468	BIND SCREW, M2x5
8	3NAX003088	PAN HEAD SCREW, M2x2
9	3NAX003138	PAN HEAD TAPPING SCREW, M2x4, BLK

**M-RK I (FCC/DOC/ETS)
ANALOG, 512K FLASH
SWITCHABLE**

(A3WL18221, Rev. 0)

**M-RK I (AEGIS)
(FCC/DOC/ETS)
SWITCHABLE, 512K FLASH**

(A3WL18222, Rev. 0)



344A3937P11 ~ P17		
SYMBOL	Parts Number*	Description
1	AS00001154	REAR ASSY
2-1	AS00000115	RADIO BOARD ASSY 136 - 160 MHz
2-2	AS00000123	RADIO BOARD ASSY 150 - 174 MHz
2-3	AS00000131	RADIO BOARD ASSY 403 - 430 MHz
2-4	AS00000149	RADIO BOARD ASSY 440 - 470 MHz
2-5	AS00000156	RADIO BOARD ASSY 470 - 500 MHz
2-6	AS00000164	RADIO BOARD ASSY 806 - 869 MHz
2-7	AS00000172	RADIO BOARD ASSY 896 - 941 MHz
3	AS00000065	CONTROL BOARD ASSY
4	AS00000057	LCD/KB FLEX ASSY (M-RK II/SCAN)
5	AS00000024	FRONT ASSY (M-RK II)
6	3NAX003096	PAN HEAD SCREW, M2x6
7	3NAX003146	PAN HEAD SCREW W/SW, M2x4
8	3NAX003088	PAN HEAD SCREW, M2x2
9	3NAX003138	PAN HEAD TAPPING SCREW, M2x4, BLK

*Prefix with "K19/" when ordering replacement parts

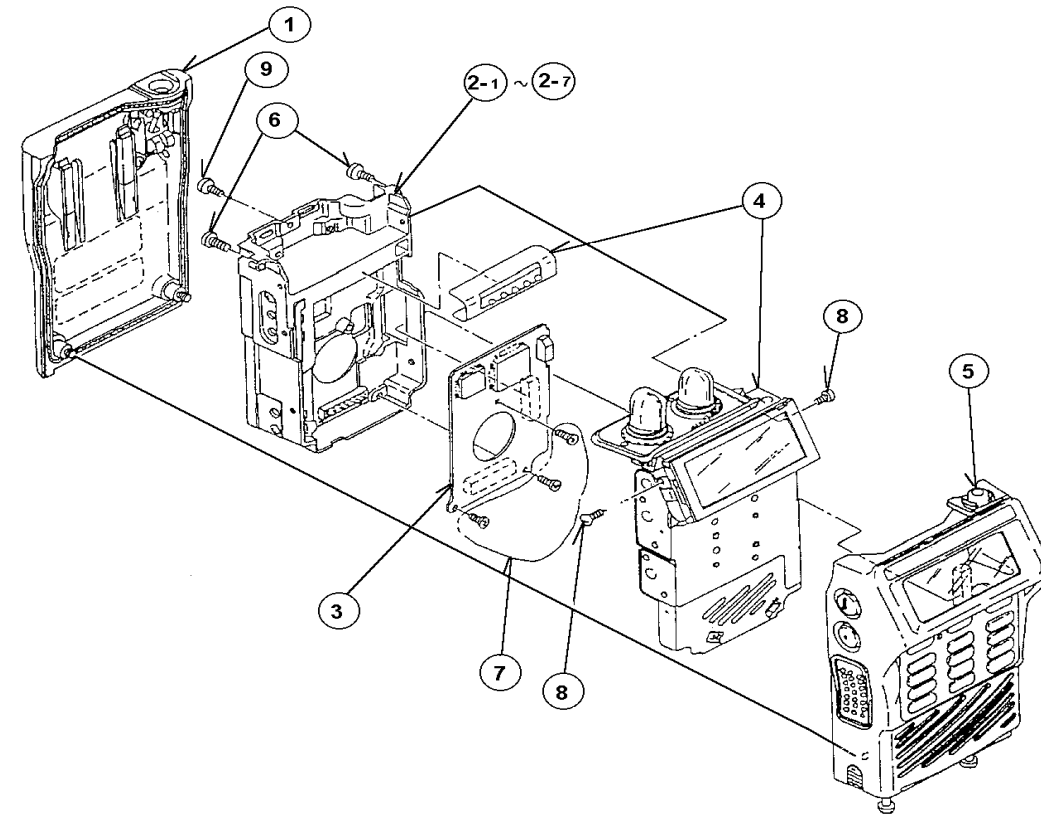
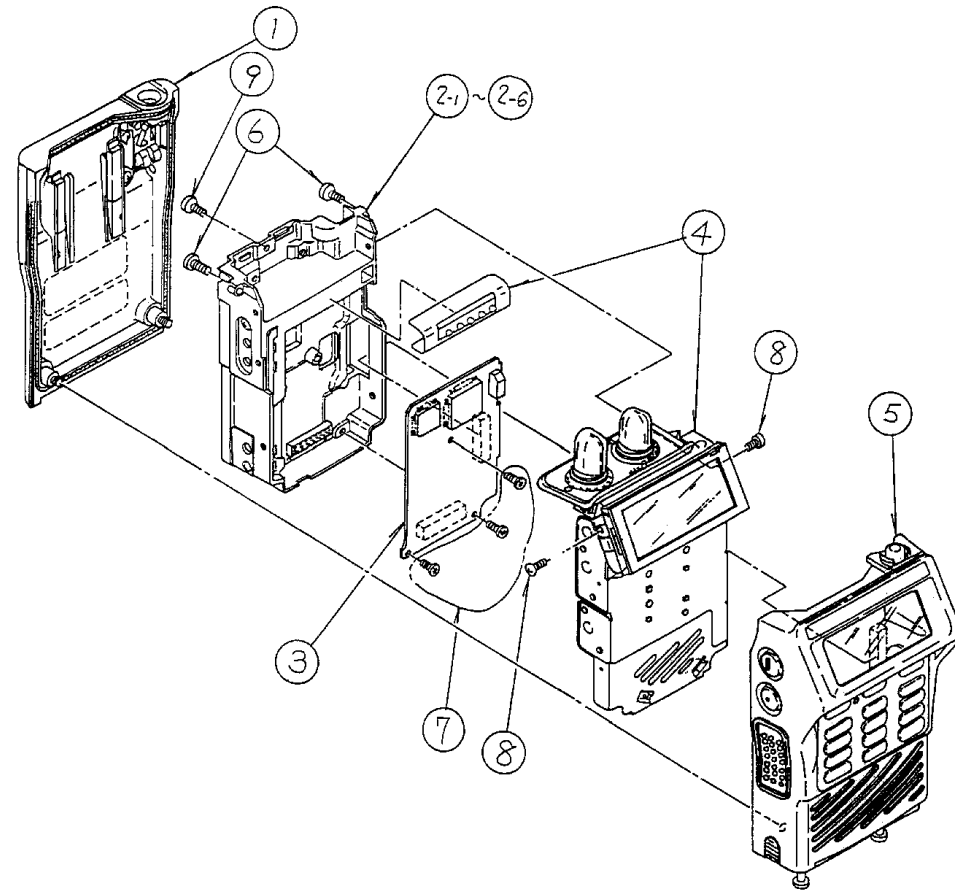
**M-RK II (FCC/DOC)
ANALOG/256K FLASH
NON-SWITCHABLE**

(A3WL16550, Rev. 3)

344A3937P31 ~ P35		
SYMBOL	Parts Number*	Description
1	AS00001154	REAR ASSY
2-1	AS00001014	RADIO BOARD ASSY 136 - 160 MHz
2-2	AS00001022	RADIO BOARD ASSY 150 - 174 MHz
2-3	AS00001030	RADIO BOARD ASSY 403 - 430 MHz
2-4	AS00001048	RADIO BOARD ASSY 440 - 470 MHz
2-5	AS00001055	RADIO BOARD ASSY 470 - 500 MHz
3	AS00000065	CONTROL BOARD ASSY
4	AS00000057	LCD FLEX ASSY (M-RK II/SCAN)
5	AS00000024	FRONT ASSY (M-RK II)
6	3NAX003096	PAN HEAD SCREW, M2x6
7	3NAX003146	PAN HEAD SCREW W/SW, M2x4
8	3NAX003088	PAN HEAD SCREW, M2x2
9	3NAX003138	PAN HEAD TAPPING SCREW, M2x4, BLK

**M-RK II (FCC/DOC/ETS)
ANALOG/256K FLASH
NON-SWITCHABLE**

(A3WL17789, Rev. 2)



344A3937P51 ~ P56		
SYMBOL	Parts Number*	Description
1	AS00001154	REAR ASSY
2-1	AS00001063	RADIO BOARD ASSY 136 - 160 MHz
2-2	AS00001071	RADIO BOARD ASSY 150 - 174 MHz
2-3	AS00001089	RADIO BOARD ASSY 403 - 430 MHz
2-4	AS00001097	RADIO BOARD ASSY 440 - 470 MHz
2-5	AS00001105	RADIO BOARD ASSY 470 - 500 MHz
2-6	AS00001113	RADIO BOARD ASSY 806 - 869 MHz
3	AS00001147	CONTROL BOARD ASSY
4	AS00001139	LCD/KB FLEX ASSY (M-RK II/SCAN)
5	AS00000024	FRONT ASSY (M-RK II)
6	3NAX003096	PAN HEAD SCREW, M2x6
7-1	3NAX003146	PAN HEAD SCREW W/SW, M2x4
7-2	3NAA425468	BIND SCREW, M2x5
8	3NAX003088	PAN HEAD SCREW, M2x2
9	3NAX003138	PAN HEAD TAPPING SCREW, M2x4, BLK

344A3937P116 ~ P117		
SYMBOL	Parts Number*	Description
1	AS00001154	REAR ASSY
2-1	AS00000164	RADIO BOARD ASSY 806 - 869 MHz
2-2	AS00000172	RADIO BOARD ASSY 896 - 941 MHz
3	AS00001196	CONTROL BOARD ASSY
4	AS00000057	LED FLEX ASSY (M-RK II/SCAN)
5	AS00000024	FRONT ASSY (M-RK II)
6	3NAX003096	PAN HEAD SCREW, M2x6
7	3NAX003146	PAN HEAD SCREW W/SW, M2x4
8	3NAX003088	PAN HEAD SCREW, M2x2
9	3NAX003138	PAN HEAD TAPPING SCREW, M2x4, BLK

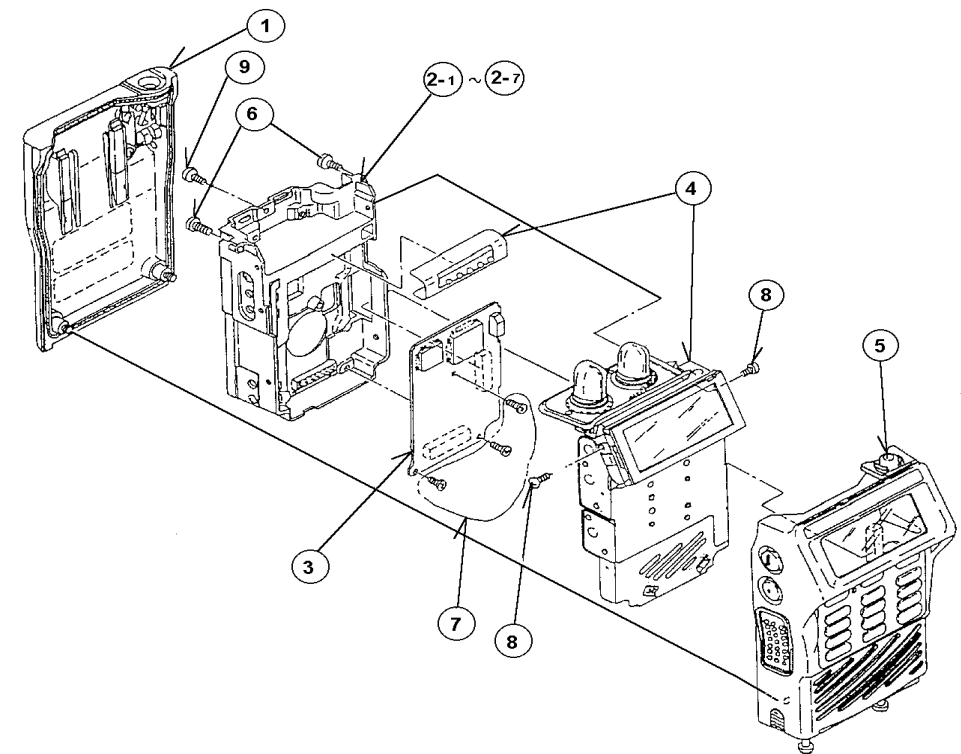
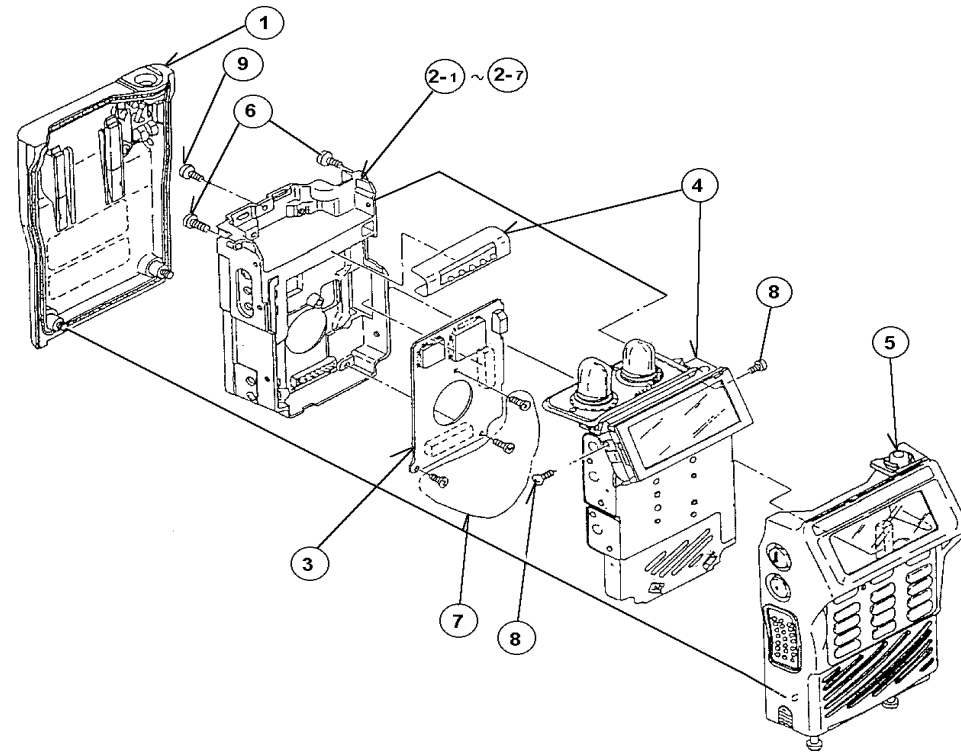
*Prefix with "K19/" when ordering replacement parts

**M-RK II (AEGIS)
(FCC/DOC/ETS) 256K FLASH
NON-SWITCHABLE**

(A3WL17791, Rev. 2)

**M-RK II (FCC/DOC)
ANALOG/512K FLASH
NON-SWITCHABLE**

(A3WL18223, Rev. 0)



344A3937P231 ~ P235, P238		
SYMBOL	Parts Number*	Description
1	AS00001154	REAR ASSY
2-1	AS00001212	RADIO BOARD ASSY 136 - 160 MHz
2-2	AS00001220	RADIO BOARD ASSY 150 - 174 MHz
2-3	AS00001238	RADIO BOARD ASSY 403 - 430 MHz
2-4	AS00001246	RADIO BOARD ASSY 440 - 470 MHz
2-5	AS00001253	RADIO BOARD ASSY 470 - 500 MHz
2-6	AS00001261	RADIO BOARD ASSY 378 - 403 MHz
3	AS00001196	CONTROL BOARD ASSY
4	AS00000057	LCD/KB FLEX ASSY (M-RK II/SCAN)
5	AS00000024	FRONT ASSY (M-RK II)
6	3NAX003096	PAN HEAD SCREW, M2x6
7	3NAX003146	PAN HEAD SCREW W/SW, M2x4
8	3NAX003088	PAN HEAD SCREW, M2x2
9	3NAX003138	PAN HEAD TAPPING SCREW, M2x4, BLK

344A3937P251 ~ P255, P156, P258		
SYMBOL	Parts Number*	Description
1	AS00001154	REAR ASSY
2-1	AS00001279	RADIO BOARD ASSY 136 - 160 MHz
2-2	AS00001287	RADIO BOARD ASSY 150 - 174 MHz
2-3	AS00001295	RADIO BOARD ASSY 403 - 430 MHz
2-4	AS00001303	RADIO BOARD ASSY 440 - 470 MHz
2-5	AS00001311	RADIO BOARD ASSY 470 - 500 MHz
2-6	AS00001113	RADIO BOARD ASSY 806 - 869 MHz
2-7	AS00001329	RADIO BOARD ASSY 378 - 403 MHz
3	AS00001204	CONTROL BOARD ASSY
4	AS00001139	LCD/KB FLEX ASSY (M-RK II/SCAN)
5	AS00000024	FRONT ASSY (M-RK II)
6	3NAX003096	PAN HEAD SCREW, M2x6
7-1	3NAX003146	PAN HEAD SCREW W/SW, M2x4
7-2	3NAA425468	BIND SCREW, M2x5
8	3NAX003088	PAN HEAD SCREW, M2x2
9	3NAX003138	PAN HEAD TAPPING SCREW, M2x4, BLK

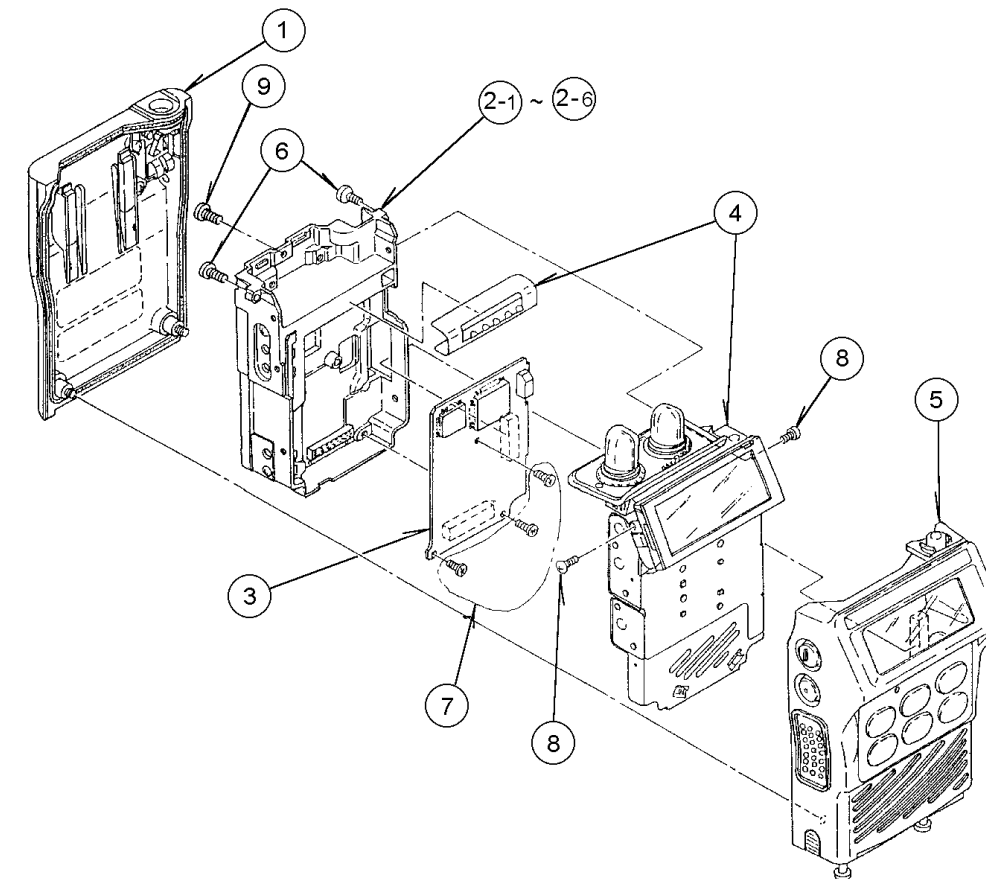
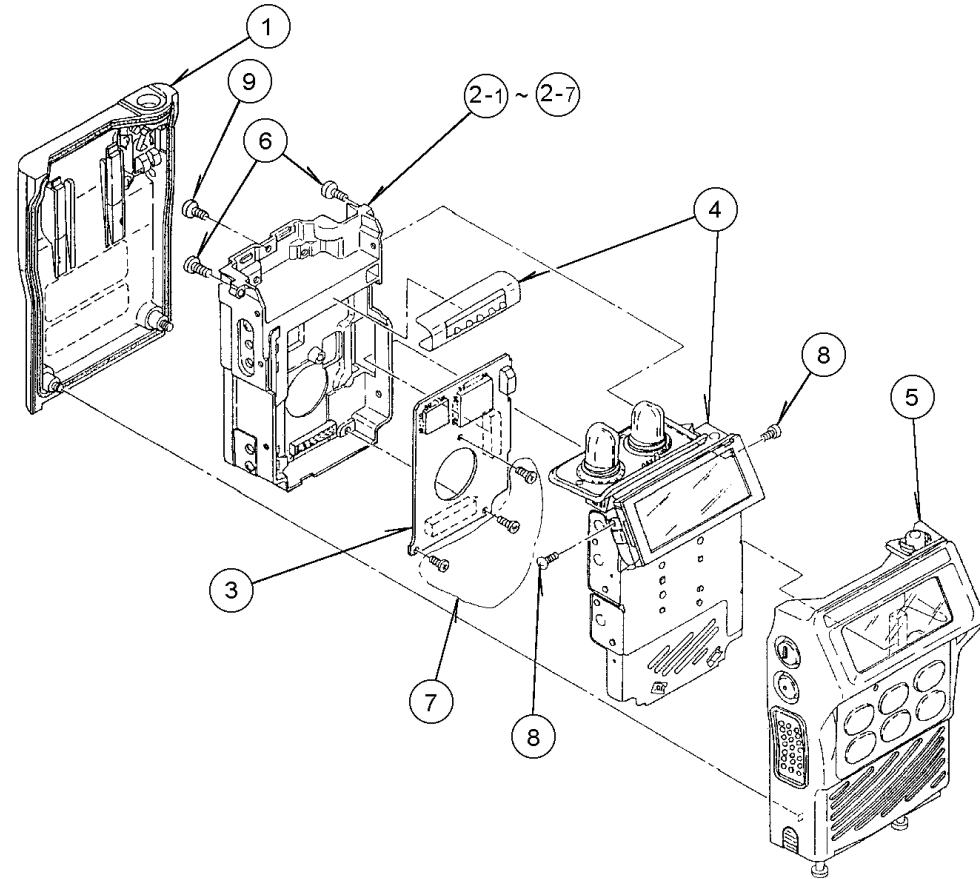
*Prefix with "K19/" when ordering replacement parts

**M-RK II (FCC/DOC/ETS)
ANALOG/512K FLASH
SWITCHABLE**

(A3WL18224, Rev. 0)

**M-RK II (AEGIS)
(FCC/DOC/ETS)
SWITCHABLE, 512K FLASH**

(A3WL18225, Rev. 0)



344A3937P61 ~ P67		
SYMBOL	Parts Number*	Description
1	AS00001154	REAR ASSY
2-1	AS00001014	RADIO BOARD ASSY 136 - 160 MHz
2-2	AS00001022	RADIO BOARD ASSY 150 - 174 MHz
2-3	AS00001030	RADIO BOARD ASSY 403 - 430 MHz
2-4	AS00001048	RADIO BOARD ASSY 440 - 470 MHz
2-5	AS00001055	RADIO BOARD ASSY 470 - 500 MHz
2-6	AS00000164	RADIO BOARD ASSY 806 - 869 MHz
2-7	AS00000172	RADIO BOARD ASSY 896 - 941 MHz
3	AS00000068	CONTROL BOARD ASSY
4	AS00000057	LCD/KB FLEX ASSY (M-RK II/SCAN)
5	AS00001170	FRONT ASSY (M-RK II/SCAN)
6	3NAX003096	PAN HEAD SCREW, M2x6
7	3NAX003146	PAN HEAD SCREW W/SW, M2x4
8	3NAX003088	PAN HEAD SCREW, M2x2
9	3NAX003138	PAN HEAD TAPPING SCREW, M2x4, BLK

344A3937P71 ~ P76		
SYMBOL	Parts Number*	Description
1	AS00001154	REAR ASSY
2-1	AS00001063	RADIO BOARD ASSY 136 - 160 MHz
2-2	AS00001071	RADIO BOARD ASSY 150 - 174 MHz
2-3	AS00001089	RADIO BOARD ASSY 403 - 430 MHz
2-4	AS00001097	RADIO BOARD ASSY 440 - 470 MHz
2-5	AS00001105	RADIO BOARD ASSY 470 - 500 MHz
2-6	AS00001113	RADIO BOARD ASSY 806 - 869 MHz
3	AS00001147	CONTROL BOARD ASSY
4	AS00001139	LCD/KB FLEX ASSY (M-RK II/SCAN)
5	AS00001170	FRONT ASSY (M-RK II/SCAN)
6	3NAX003096	PAN HEAD SCREW, M2x6
7-1	3NAX003146	PAN HEAD SCREW W/SW, M2x4
7-2	3NAA425468	BIND SCREW, M2x2
8	3NAX003088	PAN HEAD SCREW, M2x2
9	3NAX003138	PAN HEAD TAPPING SCREW, M2x4, BLK

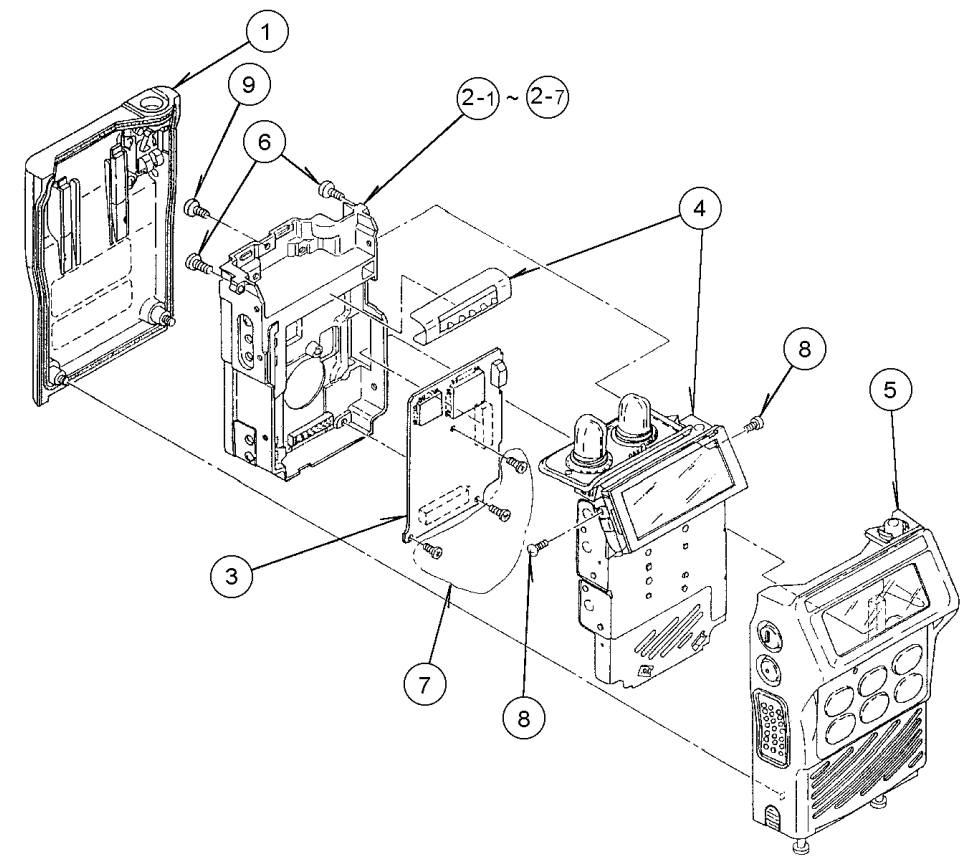
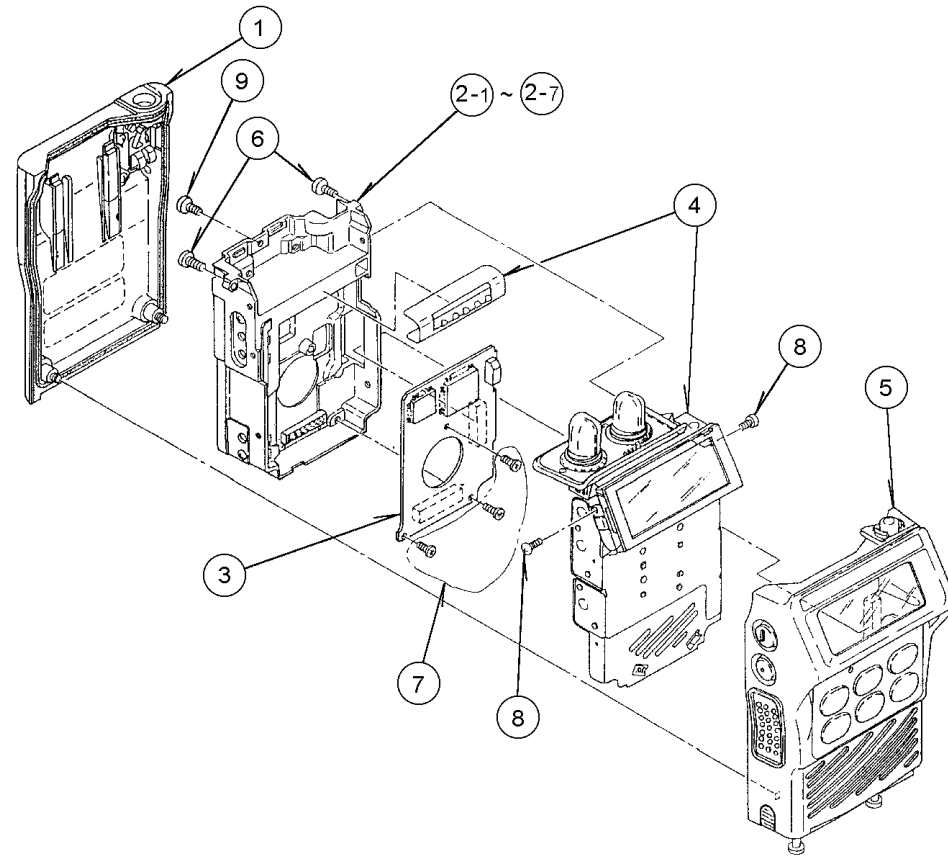
*Prefix with "K19/" when ordering replacement parts

**M-RK II SCAN (FCC/DOC/ETS)
256K FLASH/ANALOG
NON-SWITCHABLE**

(A3WL18090, Rev. 0)

**M-RK II SCAN (AEGIS)
(FCC/DOC/ETS)/256K FLASH
NON-SWITCHABLE**

(A3WL18091, Rev. 0)



344A3937P261 ~ P265, P166, P268		
SYMBOL	Parts Number*	Description
1	AS00001154	REAR ASSY
2-1	AS00001212	RADIO BOARD ASSY 136 - 160 MHz
2-2	AS00001220	RADIO BOARD ASSY 150 - 174 MHz
2-3	AS00001238	RADIO BOARD ASSY 403 - 430 MHz
2-4	AS00001246	RADIO BOARD ASSY 440 - 470 MHz
2-5	AS00001253	RADIO BOARD ASSY 470 - 500 MHz
2-6	AS00000164	RADIO BOARD ASSY 806 - 869 MHz
2-7	AS00000172	RADIO BOARD ASSY 896 - 941 MHz
2-8	AS00001261	RADIO BOARD ASSY 378 - 403 MHz
3	AS00001204	CONTROL BOARD ASSY
4	AS00001139	LCD/KB FLEX ASSY (M-RK II/SCAN)
5	AS00000024	FRONT ASSY (M-RK SCAN)
6	3NAX003096	PAN HEAD SCREW, M2x6
7	3NAX003146	PAN HEAD SCREW W/SW, M2x4
8	3NAX003088	PAN HEAD SCREW, M2x2
9	3NAX003138	PAN HEAD TAPPING SCREW, M2x4, BLK

344A3937P271 ~ P275, P176, P278		
SYMBOL	Parts Number*	Description
1	AS00001154	REAR ASSY
2-1	AS00001279	RADIO BOARD ASSY 136 - 160 MHz
2-2	AS00001287	RADIO BOARD ASSY 150 - 174 MHz
2-3	AS00001295	RADIO BOARD ASSY 403 - 430 MHz
2-4	AS00001303	RADIO BOARD ASSY 440 - 470 MHz
2-5	AS00001311	RADIO BOARD ASSY 470 - 500 MHz
2-6	AS00001113	RADIO BOARD ASSY 806 - 869 MHz
2-7	AS00001329	RADIO BOARD ASSY 378 - 403 MHz
3	AS00001204	CONTROL BOARD ASSY
4	AS00001139	LCD/KB FLEX ASSY (M-RK II/SCAN)
5	AS00001170	FRONT ASSY (M-RK SCAN)
6	3NAX003096	PAN HEAD SCREW, M2x6
7-1	3NAX003146	PAN HEAD SCREW W/SW, M2x4
7-2	3NAA425468	BIND SCREW, M2x5
8	3NAX003088	PAN HEAD SCREW, M2x2
9	3NAX003138	PAN HEAD TAPPING SCREW, M2x4, BLK

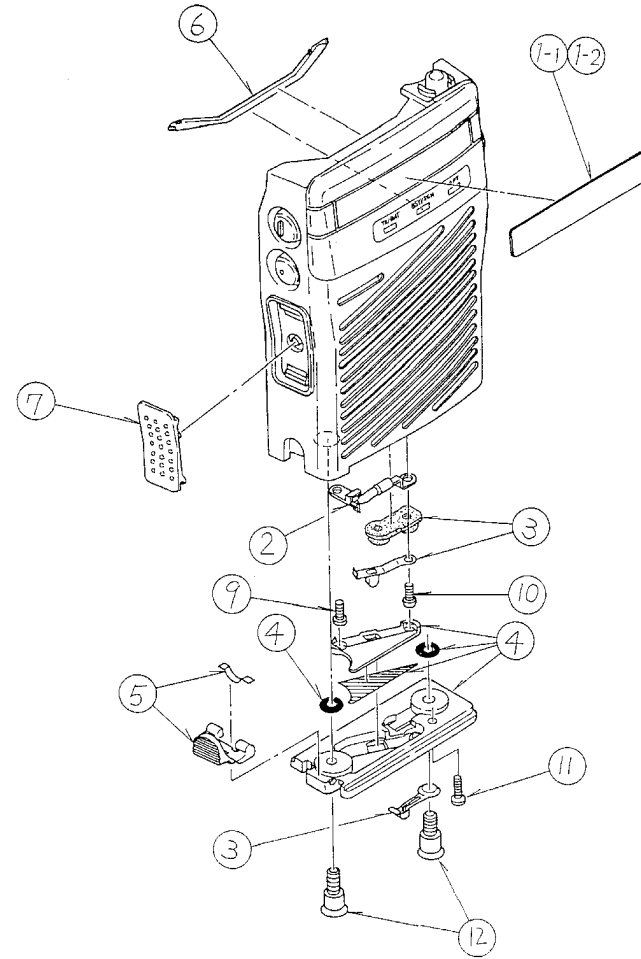
*Prefix with "K19/" when ordering replacement parts

**M-RK II SCAN (FCC/DOC/ETS)
SWITCHABLE, 512K FLASH
ANALOG**

(A3WL18226, Rev. 0)

**M-RK II SCAN (AEGIS)
(FCC/DOC/ETS)
SWITCHABLE, 512K FLASH**

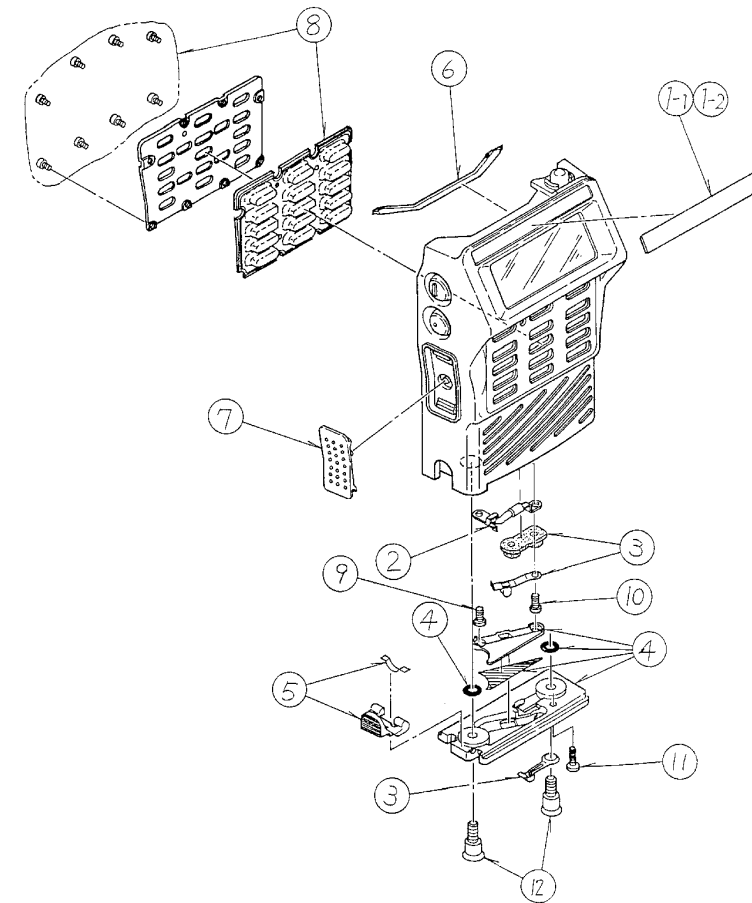
(A3WL18227, Rev. 0)



344A3937P1 ~ P7, P21 ~ P25, P41 ~ P48, P106, P107, P221 ~ P225, P228, P241 ~ P245, P146, P248		
SYMBOL	Parts Number*	Description
1	3FOB004709	NAMEPLATE LABEL B (M-RK I) (GE)
1-2	3FOB004717	NAMEPLATE LABEL B (M-RK I) (ERICSSON)
2	AS00000446	FUSE W/BEAD, LUG A, LUG B
3	AS00000339	BATTERY CONTACTS W/SUPPORT
4	AS00000321	BATTERY BASEPLATE W/INSULATOR/GASKET/TAPE
5	AS00000305	LATCH W/SPRING
6	3FED001838	FRONT GASKET
7	3FZA024554	PTT LEVER
9	3NAX003088	PAN HEAD SCREW, M2x2
10	3NAX003120	PAN HEAD TAPPING SCREW, M2x3.5
11	3NAX003187	PAN HEAD TORX SCREW, M2x3.5
12	3NAX003179	FLAT HEAD TORX SCREW, M3x12

**M-RK I FRONT ASSEMBLY
K19/AS00000016**

(A3WL16621, Rev. 4)

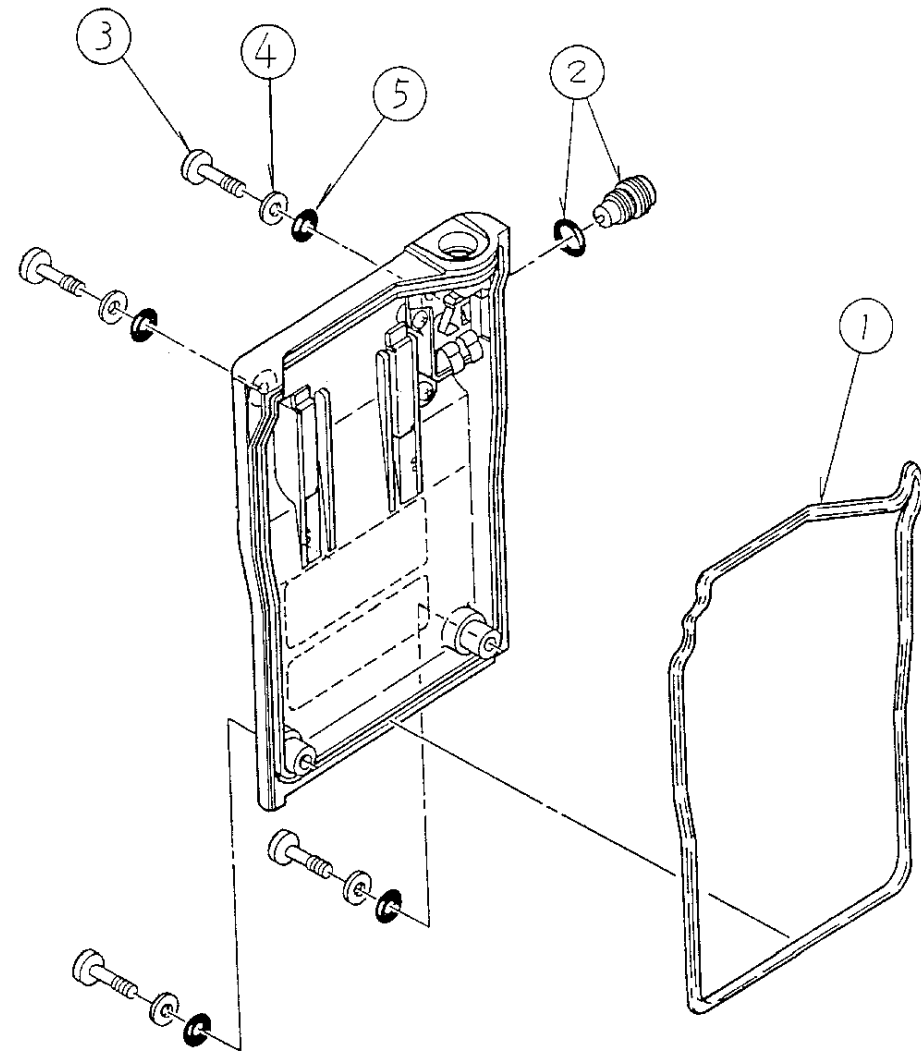
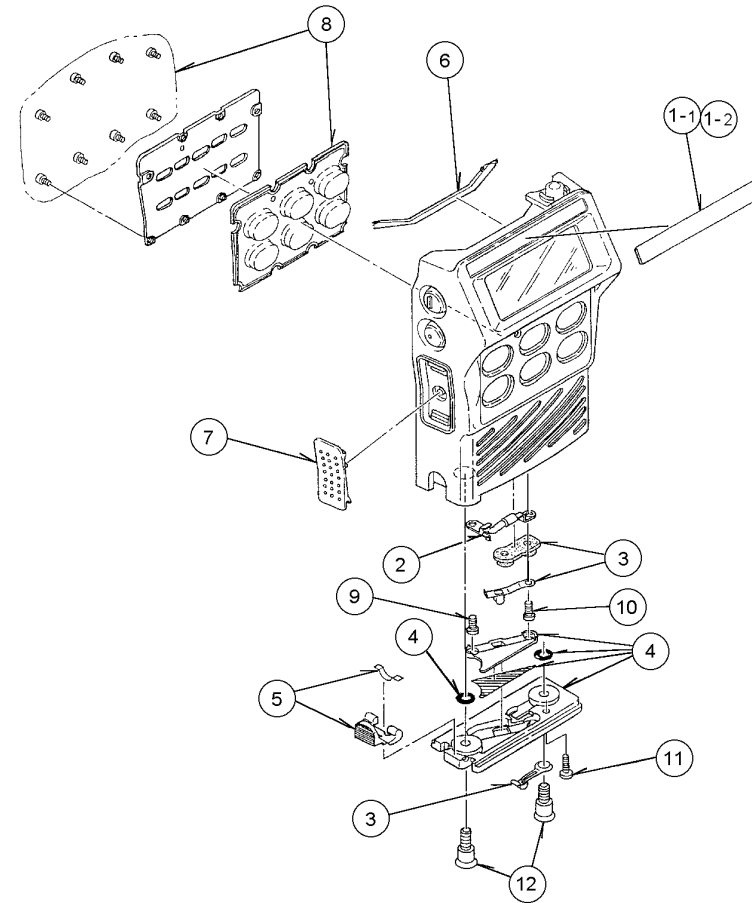


344A3937P11 ~ P17, P31 ~ P35, P51 ~ P56, P116, P117, P231 ~ P235, P238, P251 ~ P255, P156, P258		
SYMBOL	Parts Number*	Description
1-1	3FHA030510	NAMEPLATE LABEL A (M-RK II/SCAN) (GE)
1-2	3FHA033563	NAMEPLATE LABEL B (M-RK II/SCAN) (ERICSSON)
2	AS00000446	FUSE W/BEAD, LUG A, LUG B
3	AS00000339	BATTERY CONTACTS W/SUPPORT
4	AS00000321	BATTERY BASEPLATE W/INSULATOR/GASKET/TAPE
5	AS00000305	LATCH W/SPRING
6	3FED001838	FRONT GASKET
7	3FZA024554	PTT LEVER
8	AS00000313	KEYPAD W/SCREWS
9	3NAX003088	PAN HEAD SCREW, M2x2
10	3NAX003120	PAN HEAD TAPPING SCREW, M2x3.5
11	3NAX003187	PAN HEAD TORX SCREW, M2x3.5
12	3NAX003179	FLAT HEAD TORX SCREW, M3x12

**M-RK II FRONT ASSEMBLY
K19/AS00000024**

(A3WL16523, Rev. 4)

*Prefix with "K19/" when ordering replacement parts



344A3937P61 ~ P67, P71 ~ P76, P261 ~ P265, P166, P167, P268, P271 ~ P275, P176, P278		
SYMBOL	Parts Number*	Description
1-1	3FHA030510	NAMEPLATE LABEL A (M-RK II/SCAN) (GE)
1-2	3FHA033563	NAMEPLATE LABEL B (M-RK II/SCAN) (ERICSSON)
2	AS00000446	FUSE W/BEAD, LUG A, LUG B
3	AS00000339	BATTERY CONTACTS W/SUPPORT
4	AS00000321	BATTERY BASEPLATE W/INSULATOR/GASKET/TAPE
5	AS00000305	LATCH W/SPRING
6	3FED001838	FRONT GASKET
7	3FZA024554	PTT LEVER
8	AS00000354	KEYPAD W/SCREWS
9	3NAX003088	PAN HEAD SCREW, M2x2
10	3NAX003120	PAN HEAD TAPPING SCREW, M2x3.5
11	3NAX003187	PAN HEAD TORX SCREW, M2x3.5
12	3NAX003179	FLAT HEAD TORX SCREW, M3x12

344A3937P1 ~ P7, P11 ~ P17, P21 ~ P25, P31 ~ P35, P41 ~ P46, P51 ~ P56, P61 ~ P67, P71 ~ P76, P106, P107, P116, P117, P221 ~ P225, P228, P231 ~ P235, P238, P241 ~ P245, P146, P248, P251 ~ P255, P156, P258, P261 ~ P265, P166, P167, P268, P271 ~ P275, P176, P278		
SYMBOL	Parts Number*	Description
1	3FE0001846	REAR O-RING GASKET
2	AS00000206	UDC RF CONNECTOR W/O-RING
3	3NAX003161	PAN HEAD TORX SCREW, M2.6x10
4	3NDX001631	WASHER
5	3FE0001853	O-RING A

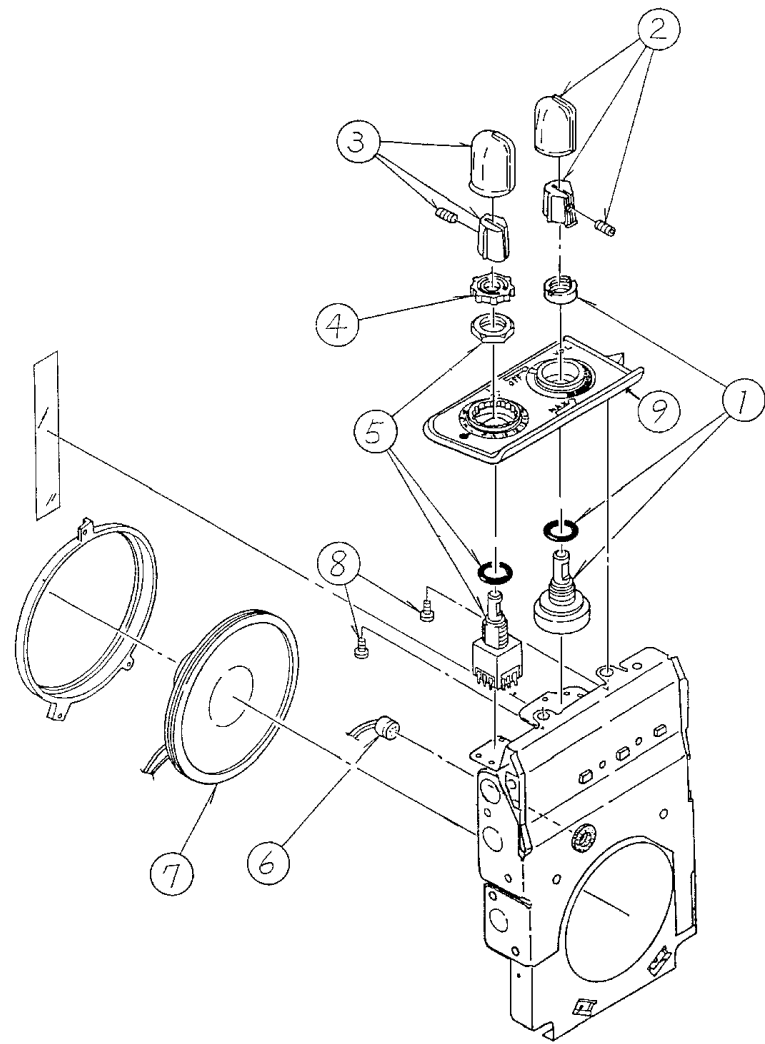
*Prefix with "K19/" when ordering replacement parts

**M-RK II SCAN FRONT ASSEMBLY
K19/AS00001170**

**REAR ASSEMBLY
K19/AS00000032 (M-RK I)
K19/AS00001154 (M-RK II/SCAN)**

(A3WL18089, Rev. 1)

(A3WL16520, Rev. 5)

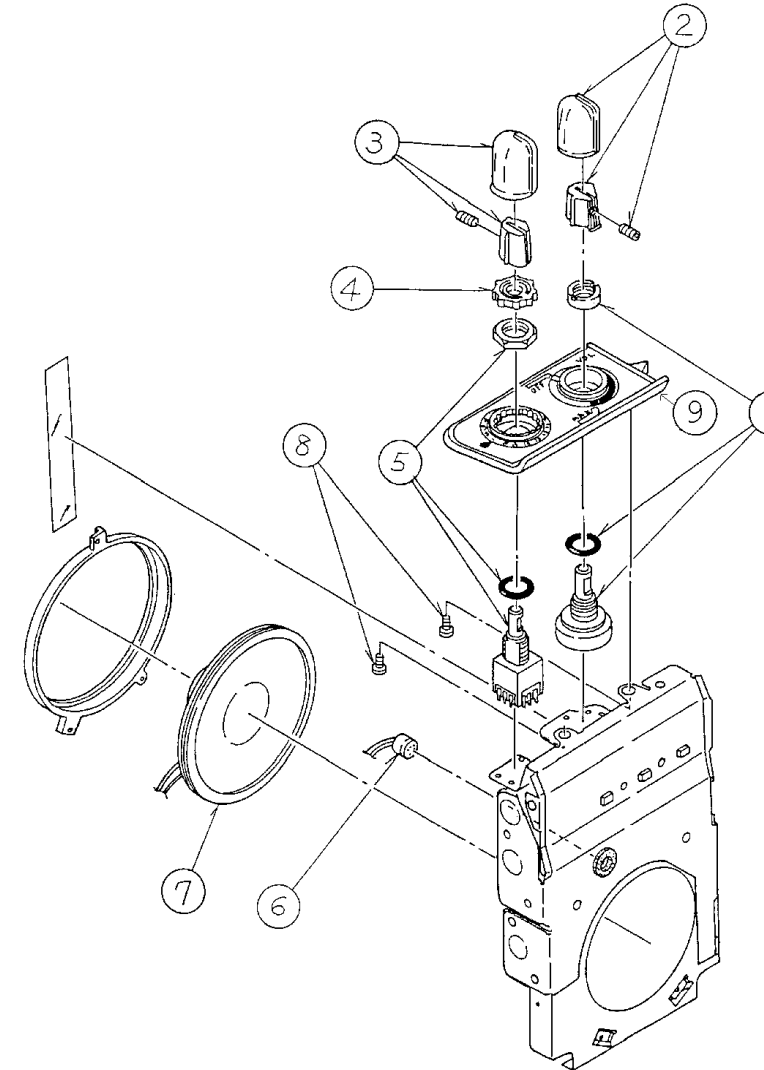


344A3937P1 ~ P7, P21 ~ P25, P106, P107, P221 ~ P225, P228		
SYMBOL	Parts Number*	Description
1	2RFA001258	VOL W/NUT/O-RING
2	AS00000297	VOL KNOB W/STOPPER/SCREW
3	AS00000289	CH KNOB W/STOPPER/SCREW
4	3FZA025502	CH SWITCH STOPPER
5-1	2KHA022166	CH SWITCH W/NUT/O-RING (TO ASSY REV. B)
5-2	2KOB036301	CH SWITCH W/NUT/O-RING (FROM ASSY REV. C)
6	AS00000453	MICROPHONE W/CAPACITOR
7	2SOB000192	SPEAKER
8	3NAX003120	PAN HEAD TAPPING SCREW, M2x3.5
9	AS00000370	TOP PANEL W/LABEL

*Prefix with "K19/" when ordering replacement parts

**M-RK I (ANALOG)
LED FLEX ASSEMBLY
K19/AS00000040**

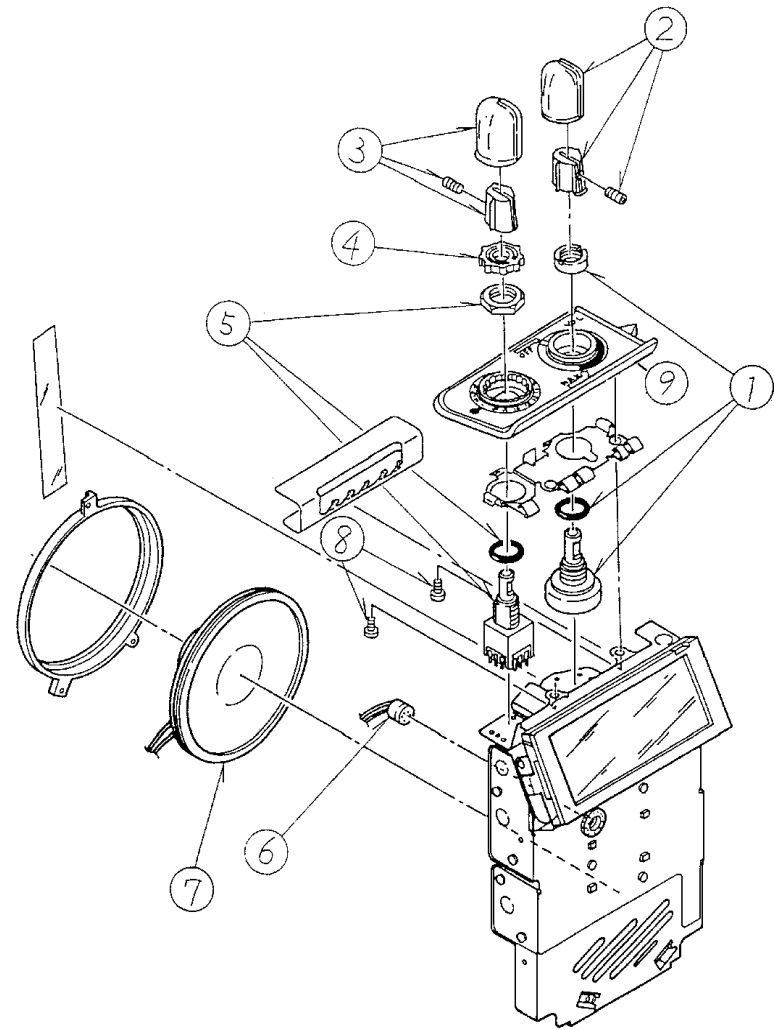
(A3WL16622, Rev. 6)



344A3937P41 ~ P46, P241 ~ P245, P146, P248		
SYMBOL	Parts Number*	Description
1	2RFA001258	VOL W/NUT/O-RING
2	AS00000297	VOL KNOB W/STOPPER/SCREW
3	AS00000289	CH KNOB W/STOPPER/SCREW
4	3FZA025502	CH SWITCH STOPPER
5-1	2KHA022166	CH SWITCH W/NUT/O-RING (TO ASSY REV. B)
5-2	2KOB036301	CH SWITCH W/NUT/O-RING (FROM ASSY REV. C)
6	AS00000453	MICROPHONE W/CAPACITOR
7	2SOB000275	SPEAKER
8	3NAX003120	PAN HEAD TAPPING SCREW, M2x3.5
9	AS00000370	TOP PANEL W/LABEL

**M-RK I (AEGIS)
LED FLEX ASSEMBLY
K19/AS00001121**

(A3WL17793, Rev. 3)

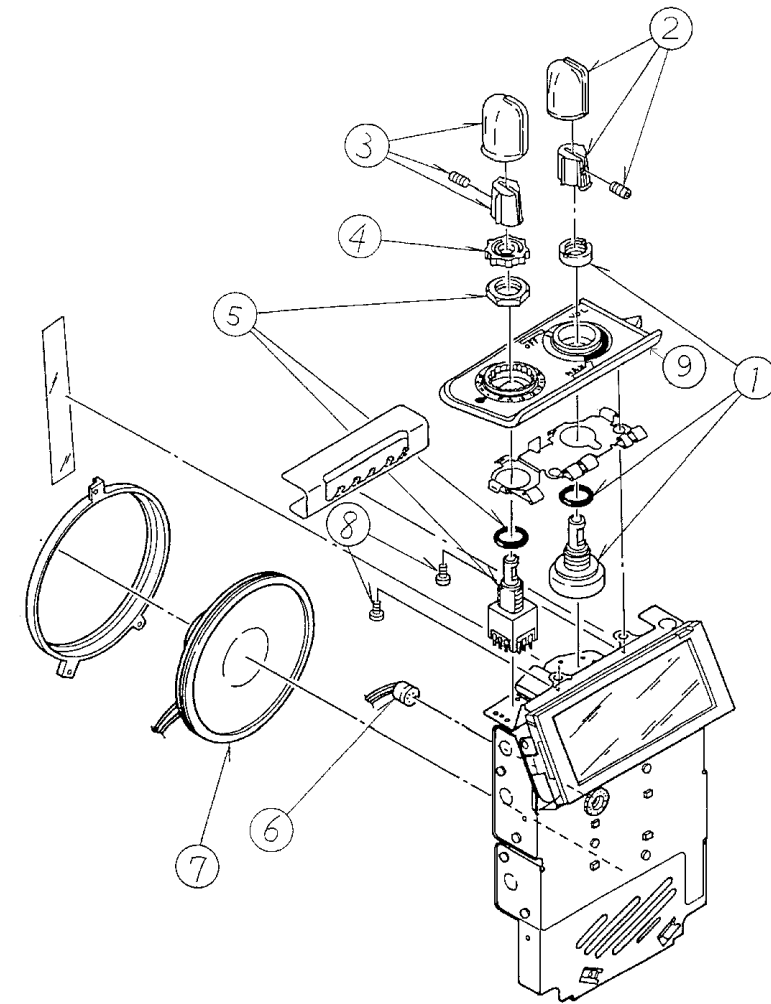


344A3937P11 ~ P17, P31 ~ P35, P61 ~ P67, P116, P117, P231 ~ P235, P238, P261 ~ P265, P166, P167, P268		
SYMBOL	Parts Number*	Description
1	2RFA001258	VOL W/NUT/O-RING
2	AS00000297	VOL KNOB W/STOPPER/SCREW
3	AS00000289	CH KNOB W/STOPPER/SCREW
4	3FZA025502	CH SWITCH STOPPER
5-1	2KHA022166	CH SWITCH W/NUT/O-RING (TO ASSY REV. B)
5-2	2KOB036301	CH SWITCH W/NUT/O-RING (FROM ASSY REV. C)
6	AS00000453	MICROPHONE W/CAPACITOR
7	2SOB000192	SPEAKER
8	3NAX003120	PAN HEAD TAPPING SCREW, M2x3.5
9	AS00000370	TOP PANEL W/LABEL

*Prefix with "K19/" when ordering replacement parts

**M-RK II/SCAN (ANALOG)
LCD/KB FLEX ASSEMBLY
K19/AS00000057**

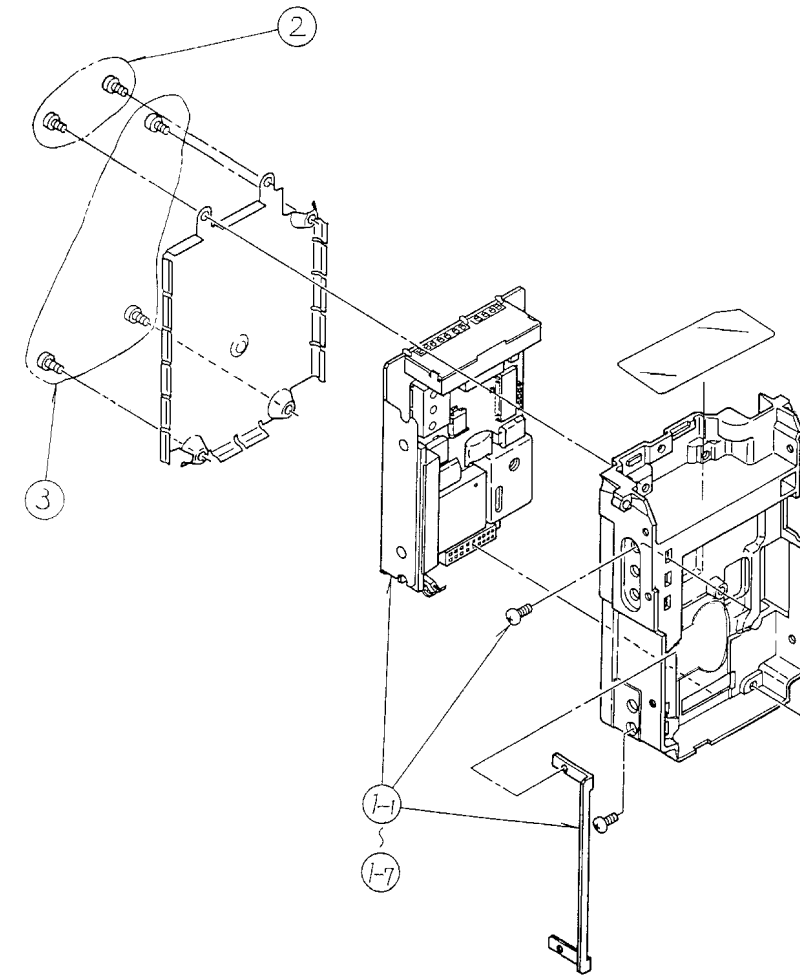
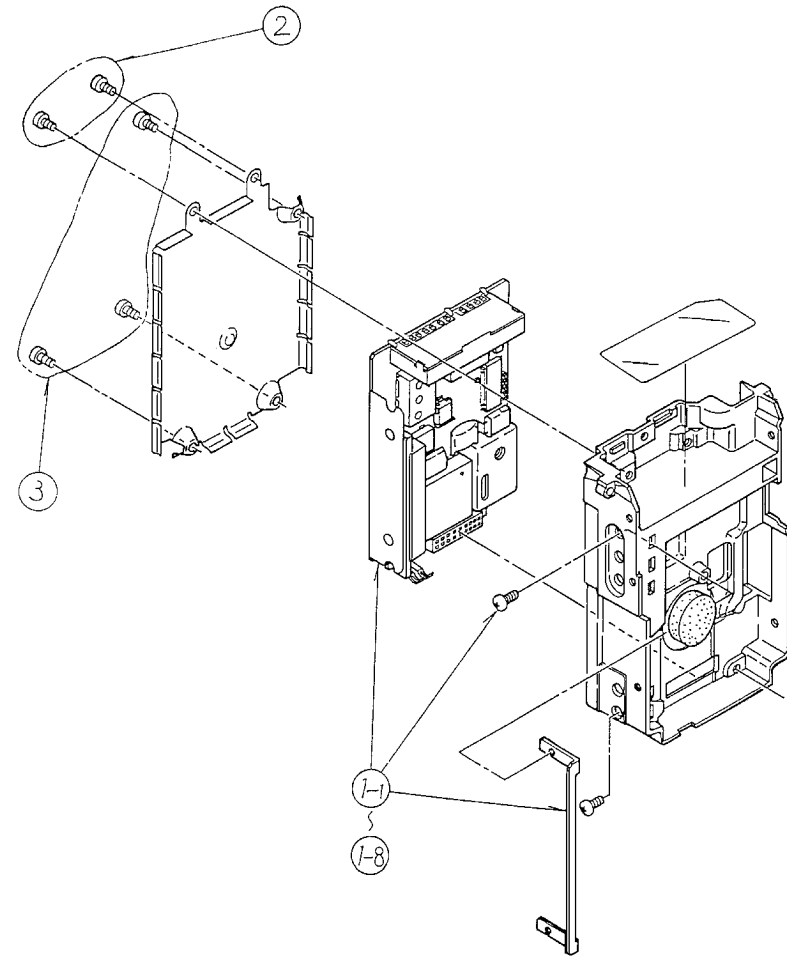
(A3WL16522, Rev. 7)



344A3937P51 ~ P56, P71 ~ P76, P251 ~ P255, P156, P258, P271 ~ P275, P176, P278		
SYMBOL	Parts Number*	Description
1	2RFA001258	VOL W/NUT/O-RING
2	AS00000297	VOL KNOB W/STOPPER/SCREW
3	AS00000289	CH KNOB W/STOPPER/SCREW
4	3FZA025502	CH SWITCH STOPPER
5-1	2KHA022166	CH SWITCH W/NUT/O-RING (TO ASSY REV. B)
5-2	2KOB036301	CH SWITCH W/NUT/O-RING (FROM ASSY REV. C)
6	AS00000453	MICROPHONE W/CAPACITOR
7	2SOB000275	SPEAKER
8	3NAX003120	PAN HEAD TAPPING SCREW, M2x3.5
9	AS00000370	TOP PANEL W/LABEL

**M-RK II/SCAN (AEGIS)
LCD/KB FLEX ASSEMBLY
K19/AS00001139**

(A3WL17794, Rev. 4)



344A3937P1 ~ P7, P11 ~ P17, P21 ~ P25, P31 ~ P35, P61 ~ P67, P106, P107, P116, P117, P221 ~ P225, P228, P231 ~ P235, P238, P261 ~ PP265, P166, P167, P268		
SYMBOL	Parts Number*	Description
1-1	AS00000214	PA MODULE (VL) W/RETAINER/SCREWS
1-2	AS00000222	PA MODULE (VH) W/RETAINER/SCREWS
1-3	AS00000230	PA MODULE (UL) W/RETAINER/SCREWS
1-4	AS00000248	PA MODULE (UM) W/RETAINER/SCREWS
1-5	AS00000255	PA MODULE (UH) W/RETAINER/SCREWS
1-6	AS00000263	PA MODULE (800) W/RETAINER/SCREWS
1-7	AS00000271	PA MODULE (900) W/RETAINER/SCREWS
1-8	AS00000750	PA MODULE (ULL) W/RETAINER/SCREWS
2	3NAX003088	PAN HEAD SCREW, M2x2
3	3NAX003146	PAN HEAD SCREW W/SW, M2x4

*Prefix with "K19/" when ordering replacement parts

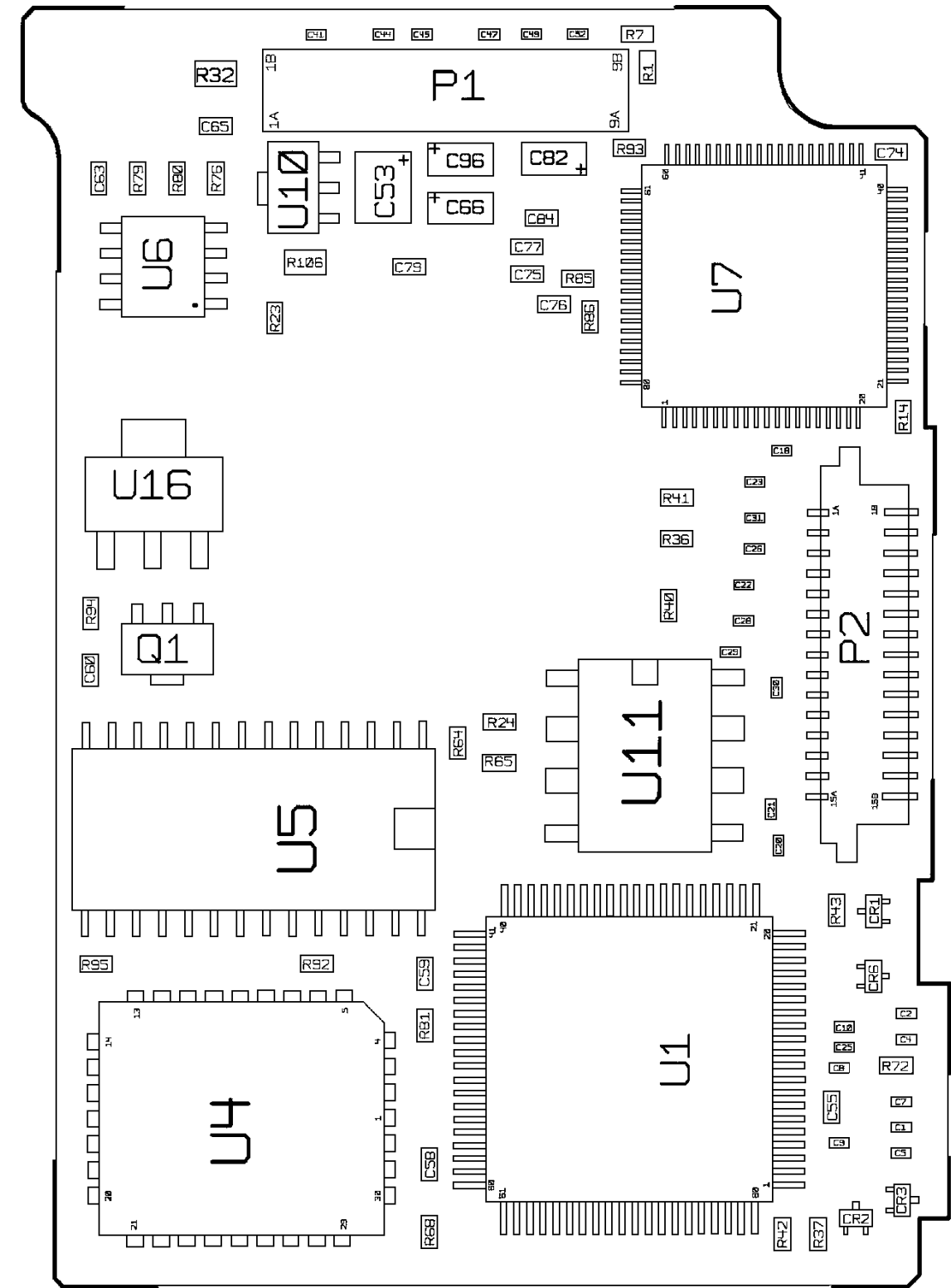
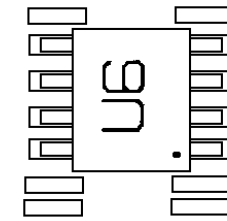
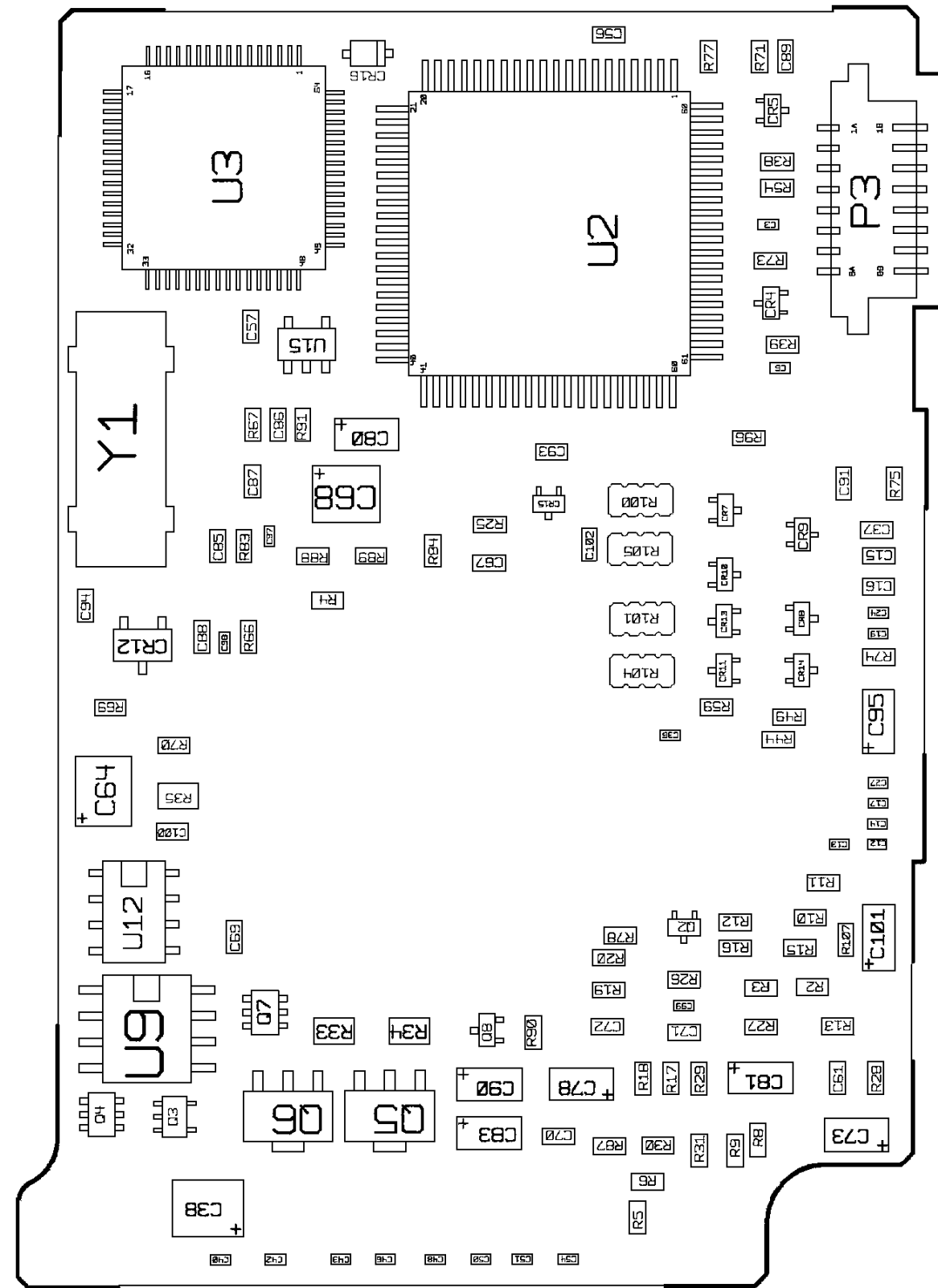
344A3937P41 ~ P46, P51 ~ P56, P71 ~ P76, P241 ~ P245, P146, P248, P251 ~ P255, P156, P258, P271 ~ P275, P176, P278		
SYMBOL	Parts Number*	Description
1-1	AS00000214	PA MODULE (VL) W/RETAINER/SCREWS
1-2	AS00000222	PA MODULE (VH) W/RETAINER/SCREWS
1-3	AS00000230	PA MODULE (UL) W/RETAINER/SCREWS
1-4	AS00000248	PA MODULE (UM) W/RETAINER/SCREWS
1-5	AS00000255	PA MODULE (UH) W/RETAINER/SCREWS
1-6	AS00000263	PA MODULE (800) W/RETAINER/SCREWS
1-7	AS00000750	PA MODULE (ULL) W/RETAINER/SCREWS
2	3NAX003088	PAN HEAD SCREW, M2x2
3	3NAX003146	PAN HEAD SCREW W/SW, M2x4

**M-RK I/II/SCAN (FCC/DOC/ETS)
RF ASSEMBLY**

(A3WL16521, Rev. 5)

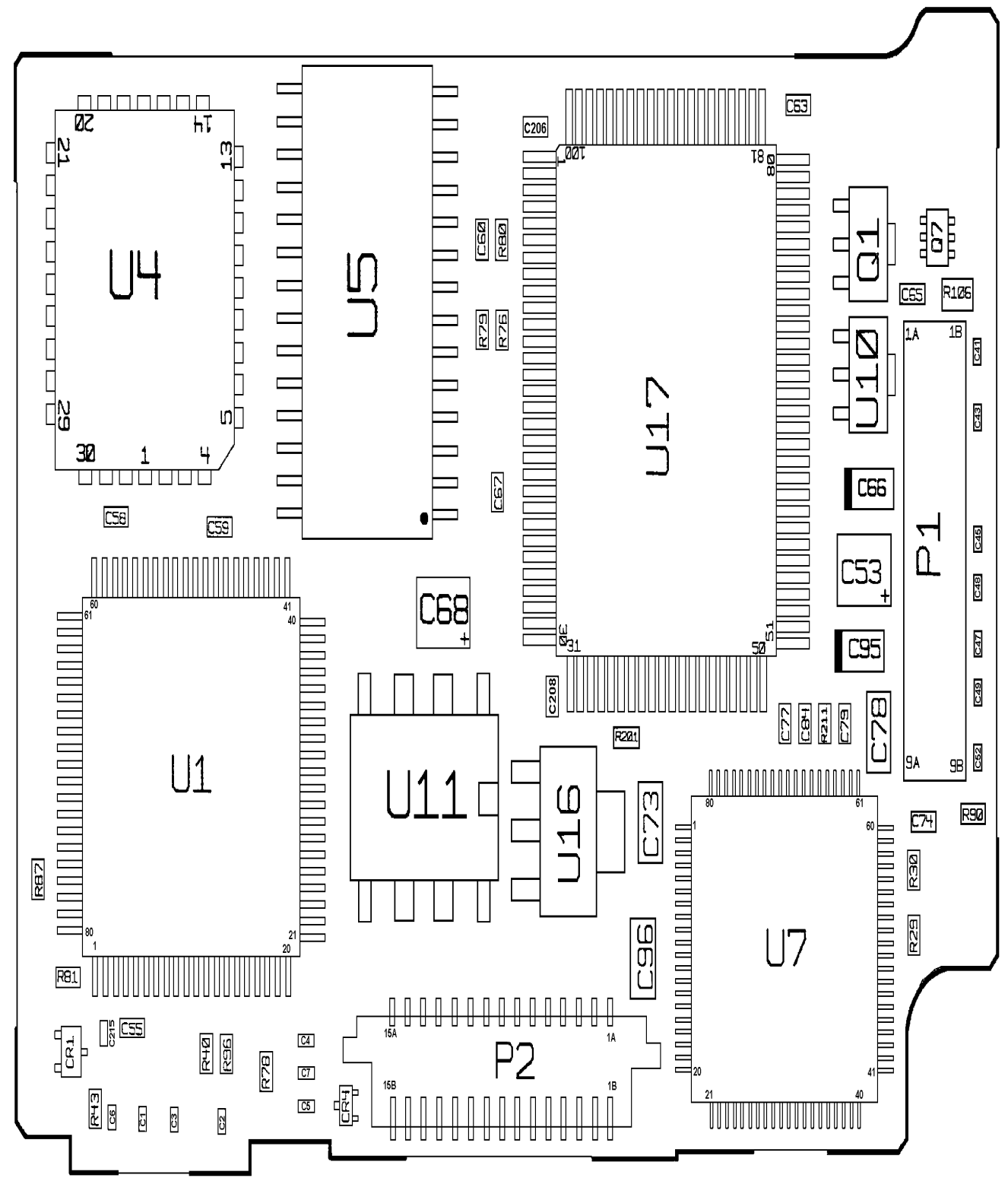
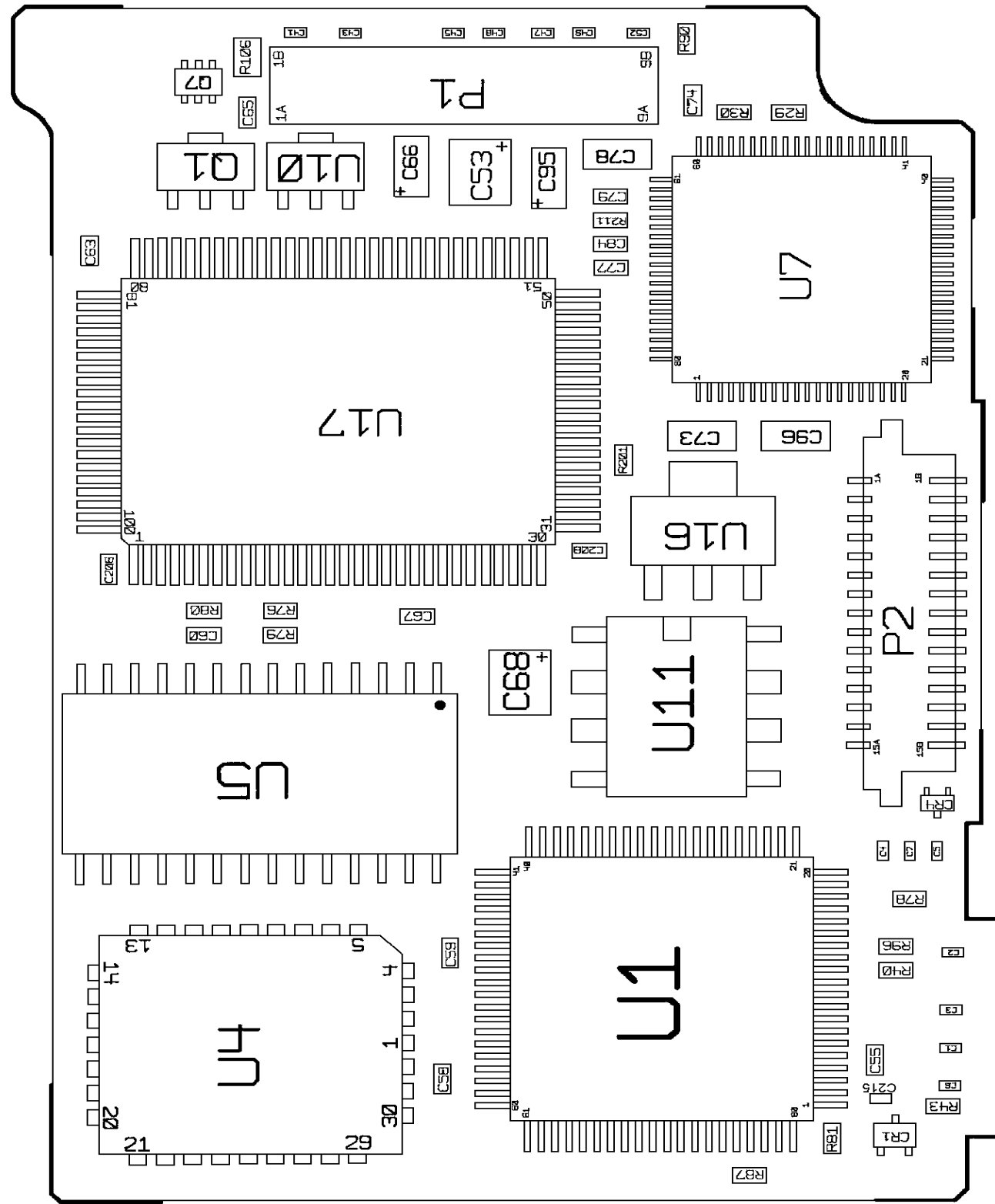
**M-RK I/II/SCAN (AEGIS)
RF ASSEMBLY**

(A3WL17792, Rev. 2)



CONTROL BOARD (ANALOG)
256K FLASH

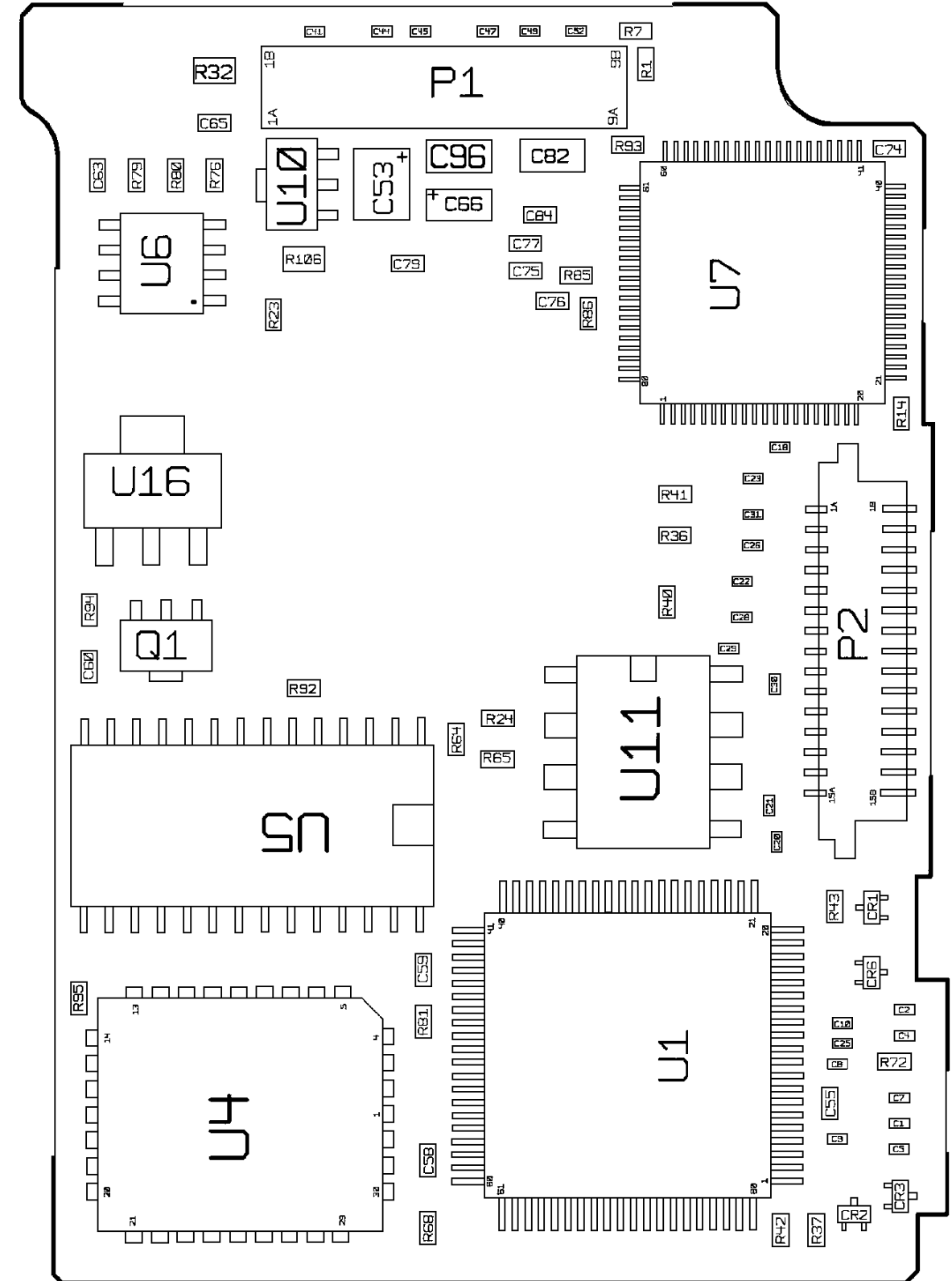
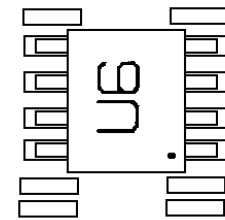
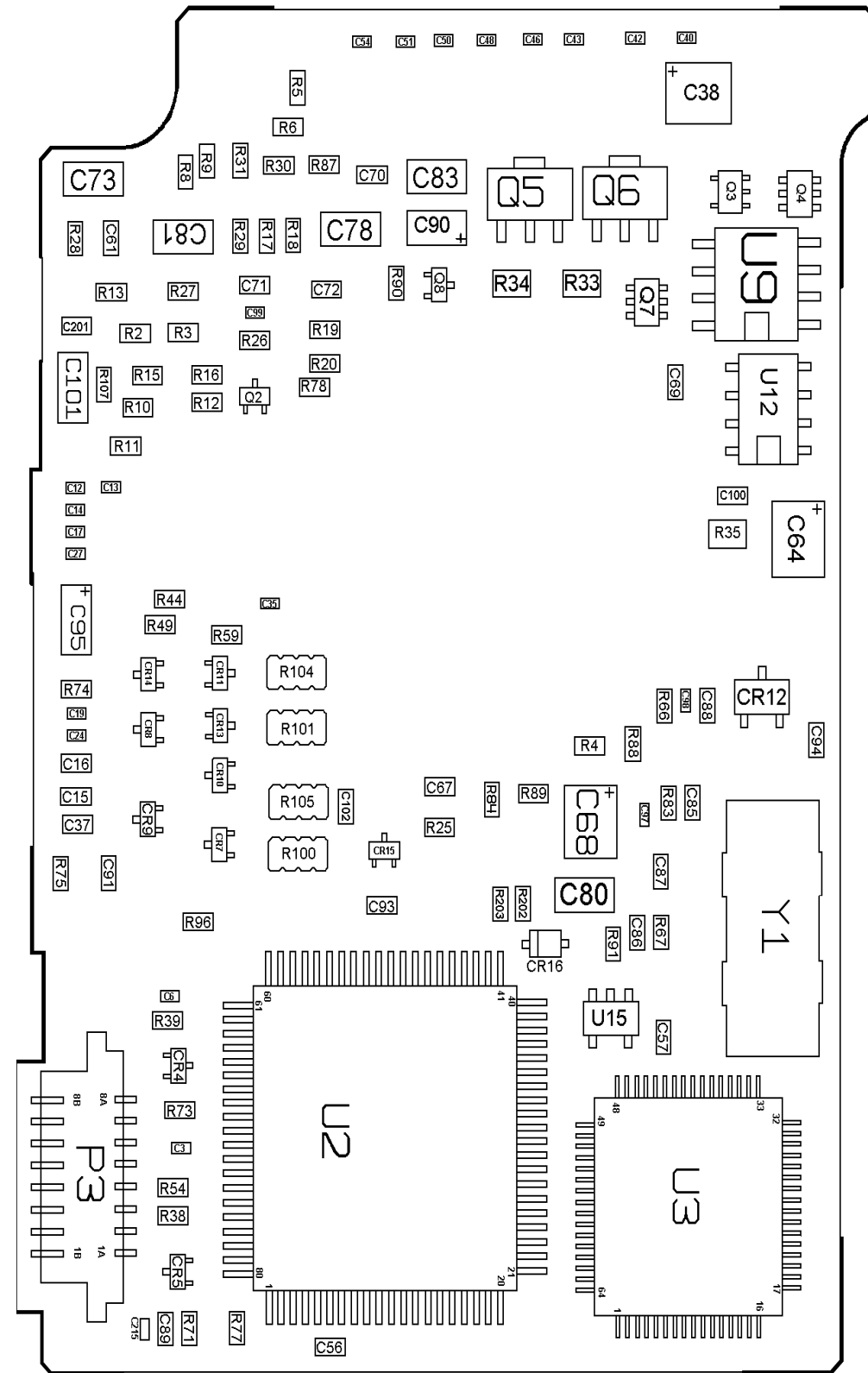
(A3WE05329, Sh. 3, Rev. 11)
(A3WE05329, Sh. 1, Rev. 11)



**CONTROL BOARD (AEGIS)
256K FLASH**

(A3WE06100, Sh. 1, Rev. 6)

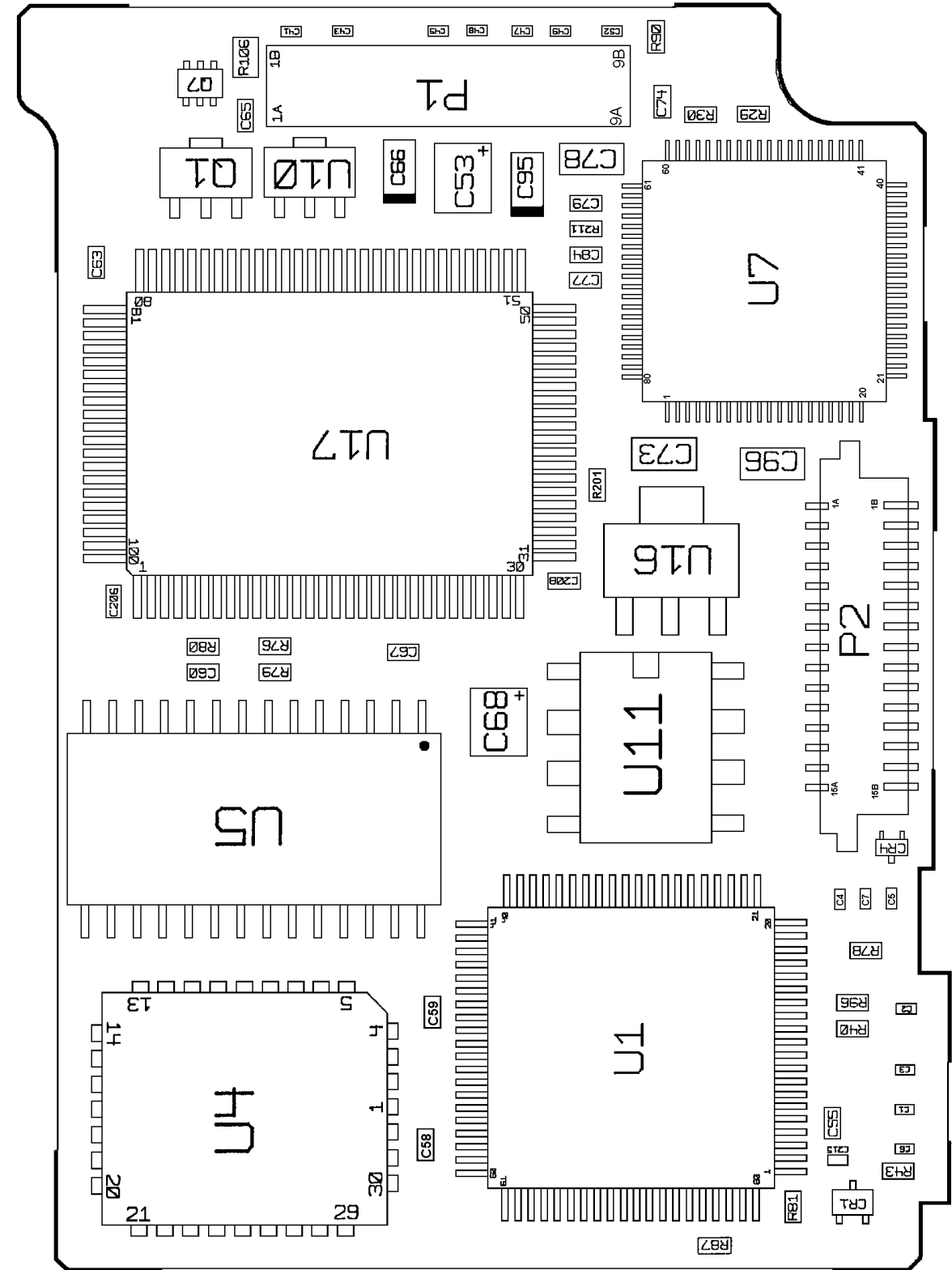
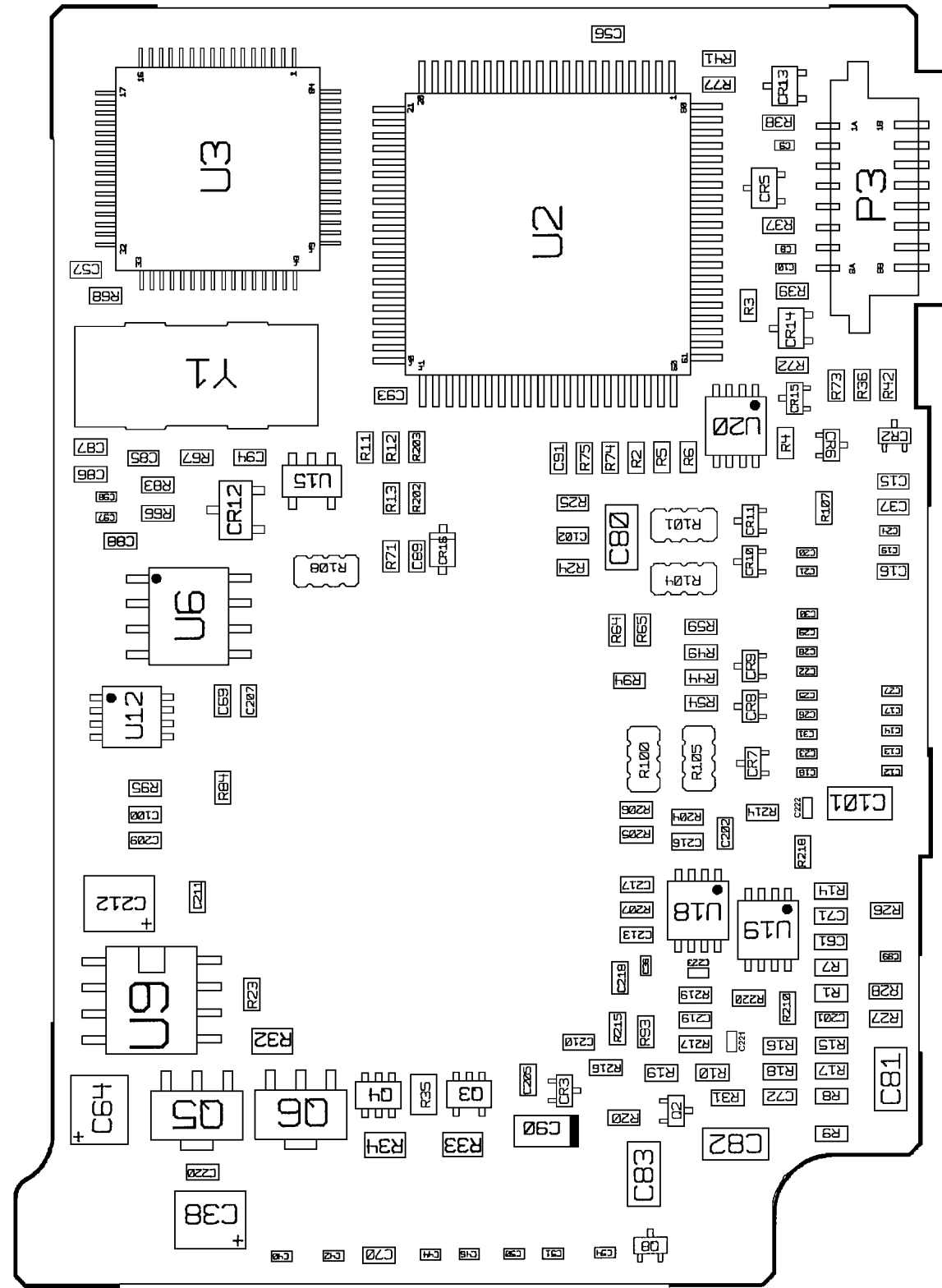
(A3WE06100, Sh. 3, Rev. 6)



CONTROL BOARD (ANALOG)
512K FLASH

(A3WE06485, Sh. 1, Rev. 0)

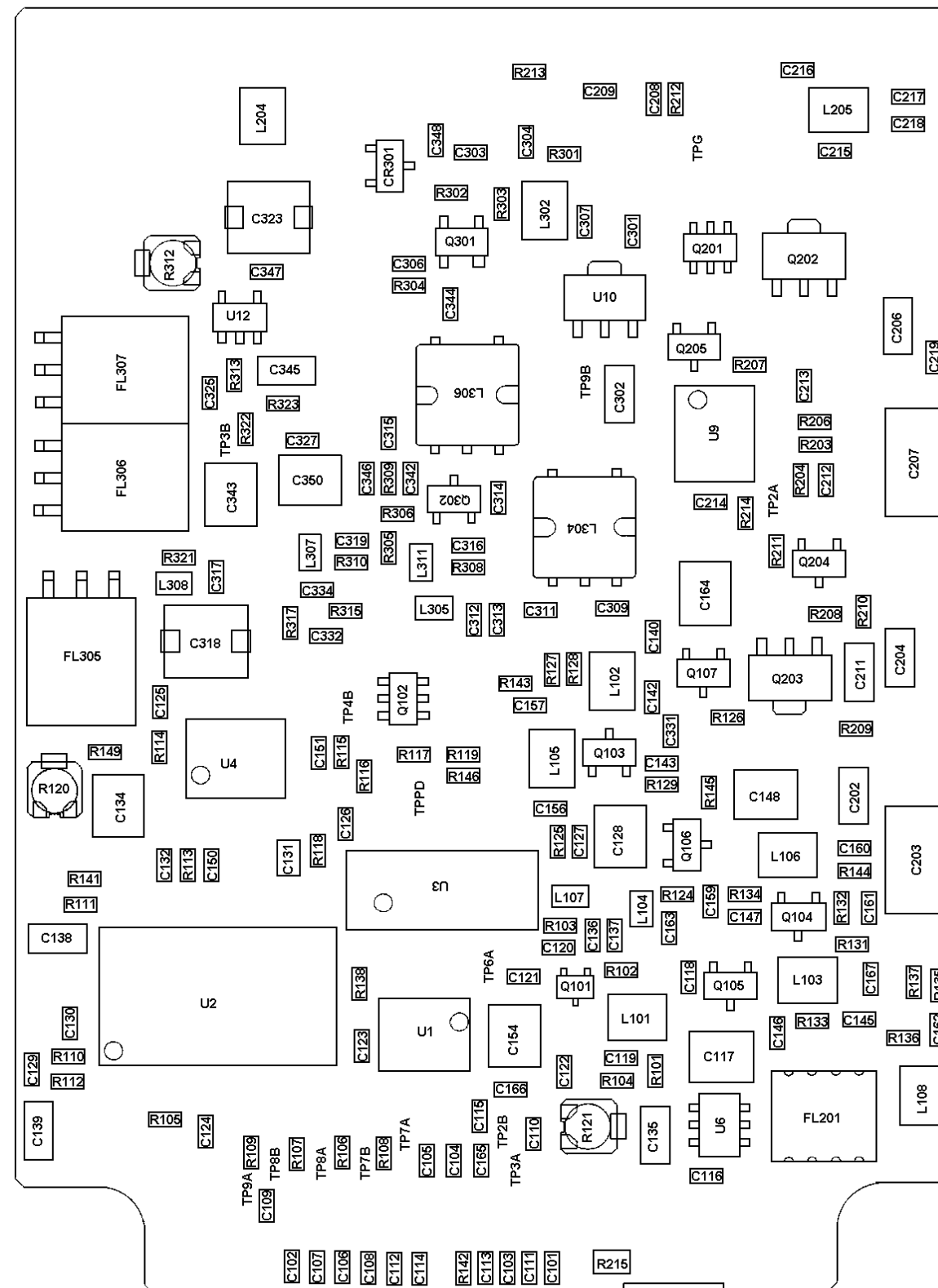
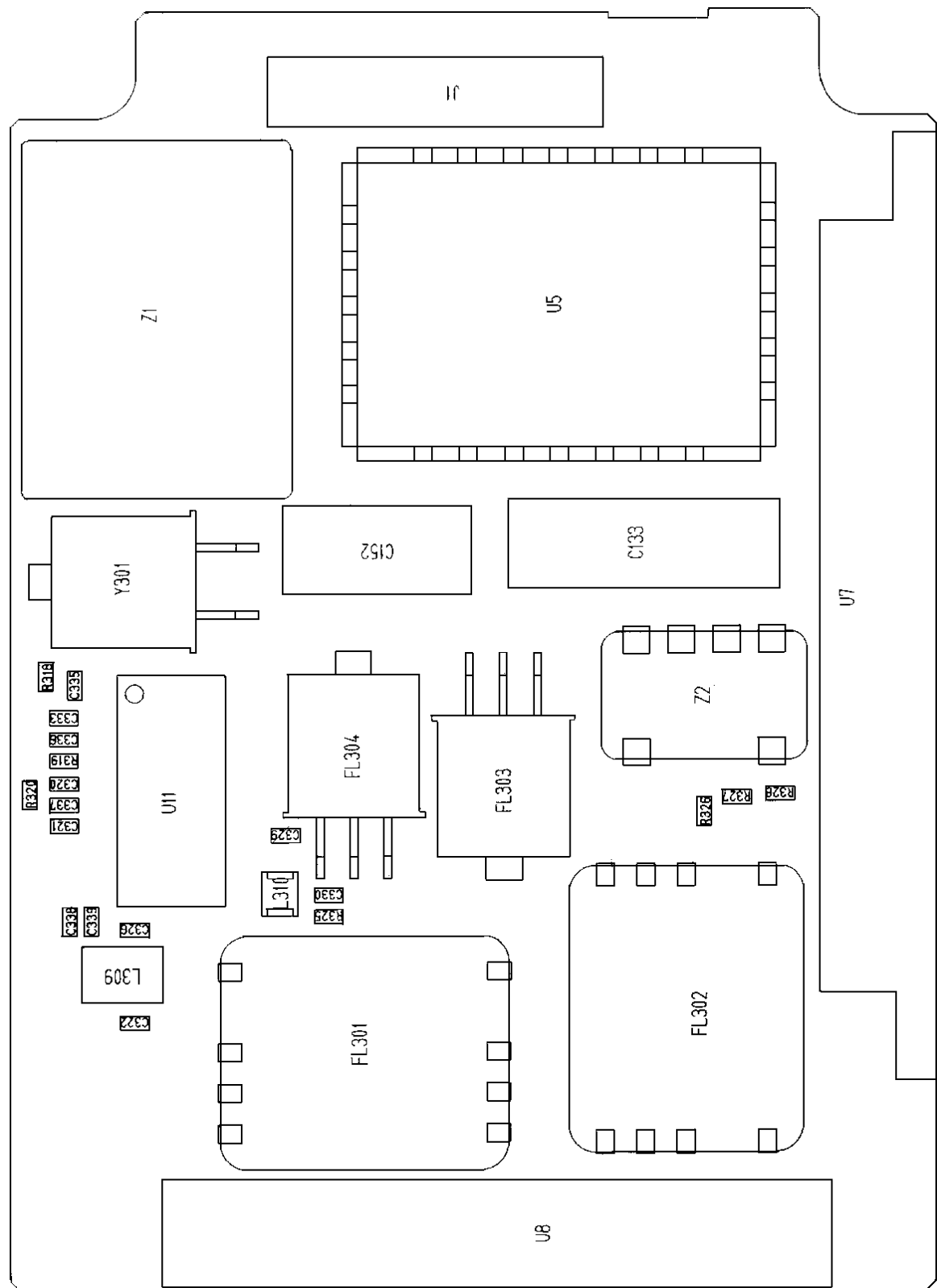
(A3WE06485, Sh. 3, Rev. 0)



**CONTROL BOARD (AEGIS)
512K FLASH**

(A3WE06486, Sh. 1, Rev. 0)

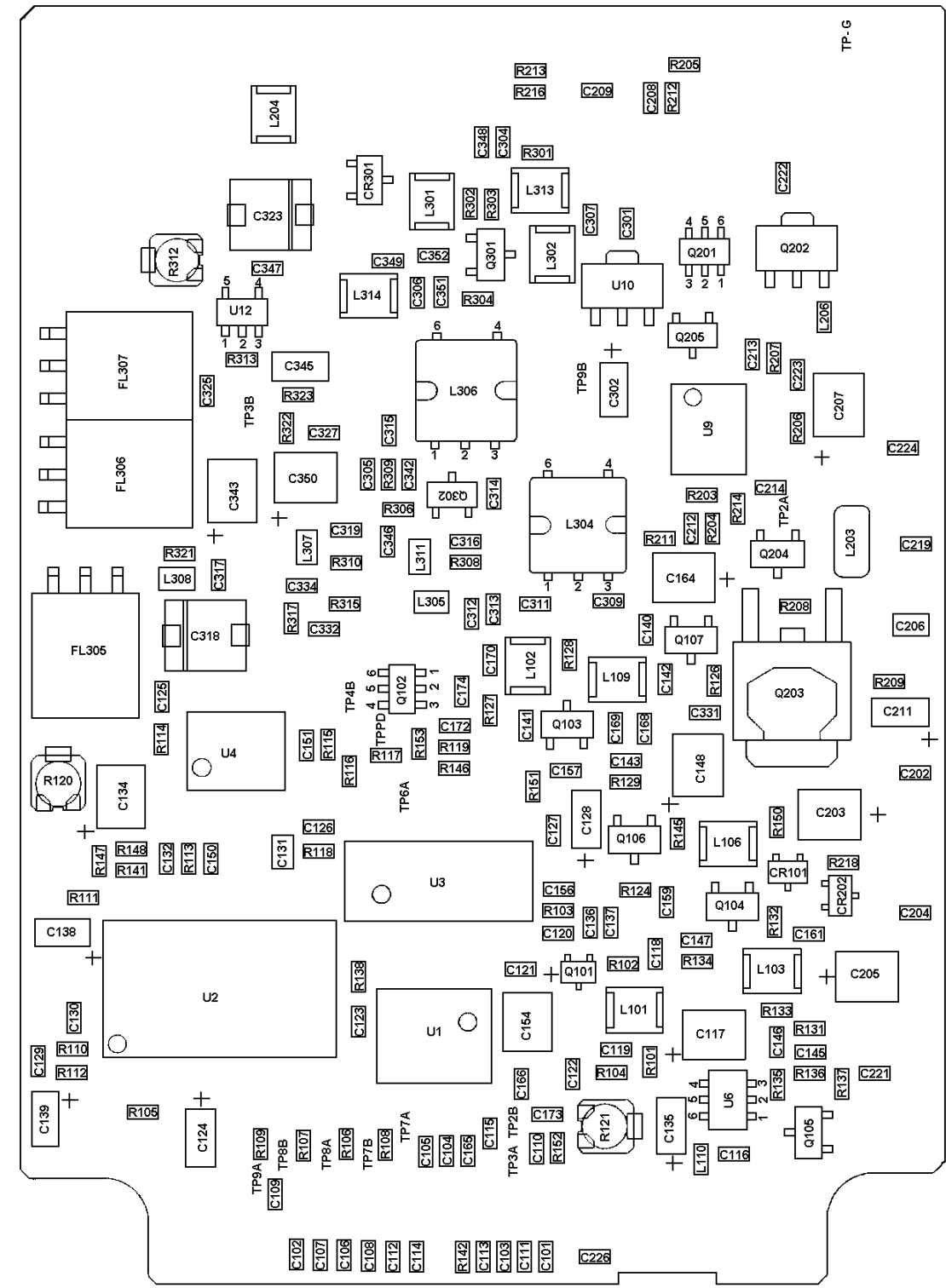
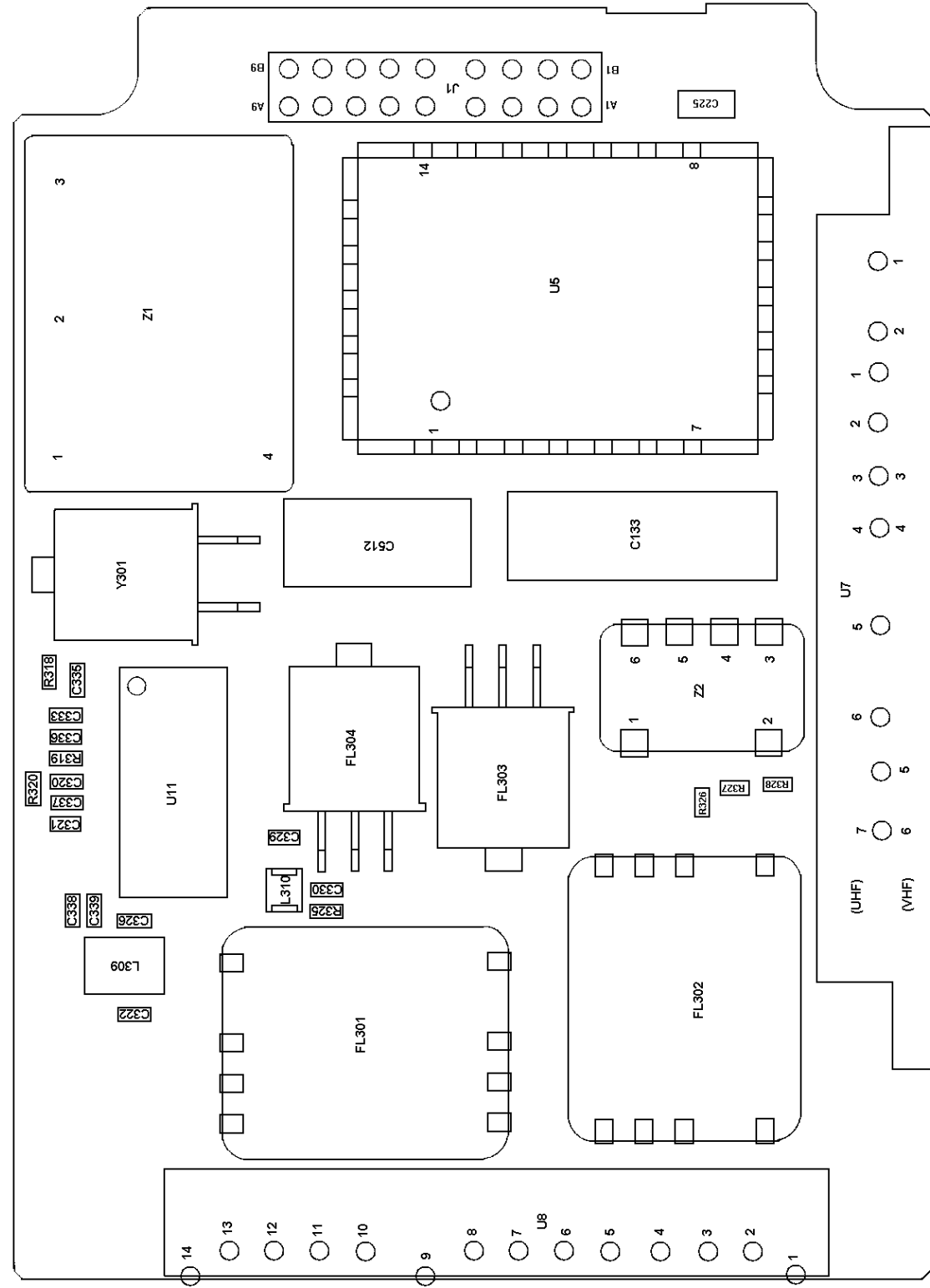
(A3WE06486, Sh. 3, Rev. 0)



RF BOARD (FCC/DOC) VHF/UHF
NON-SWITCHABLE

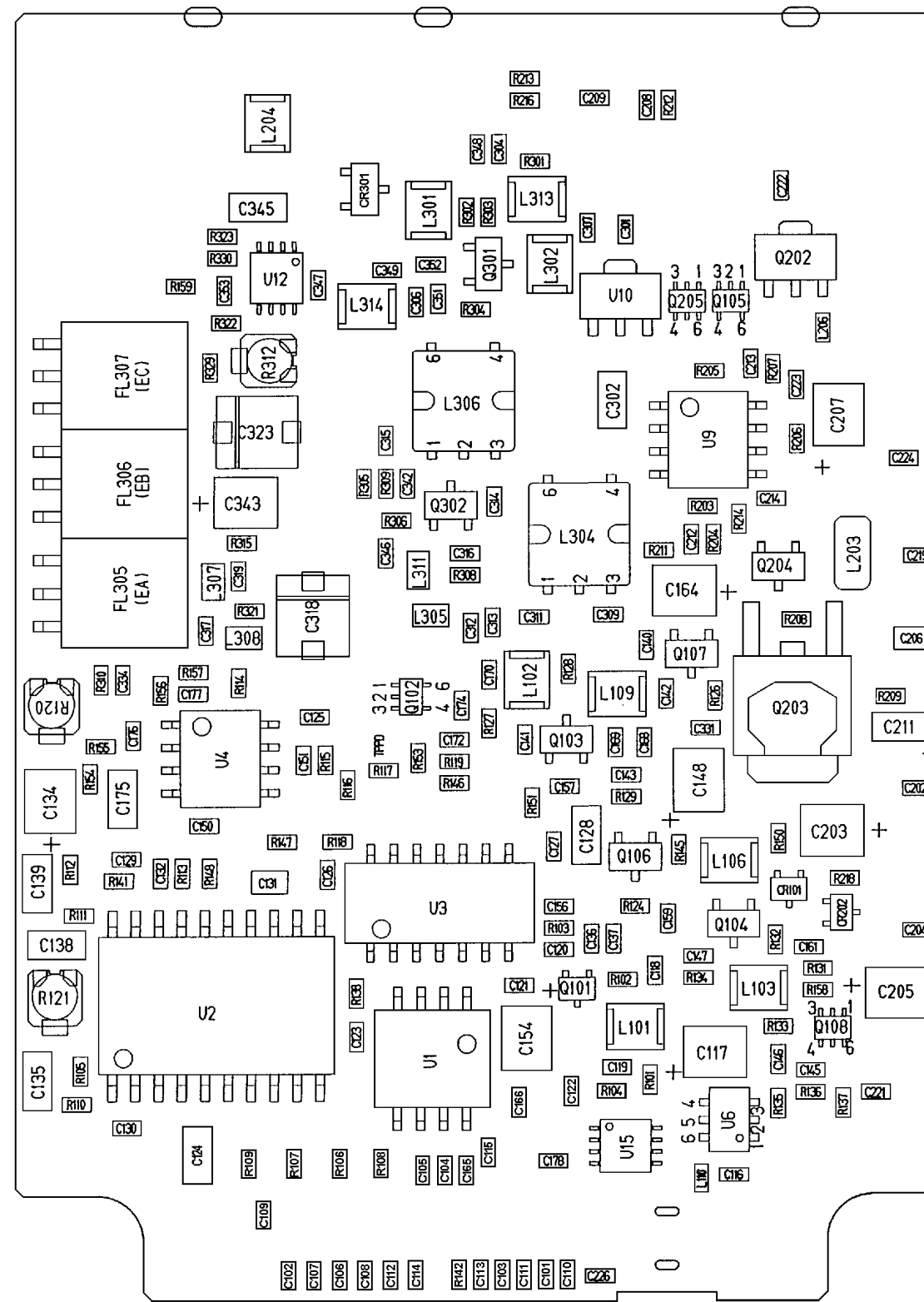
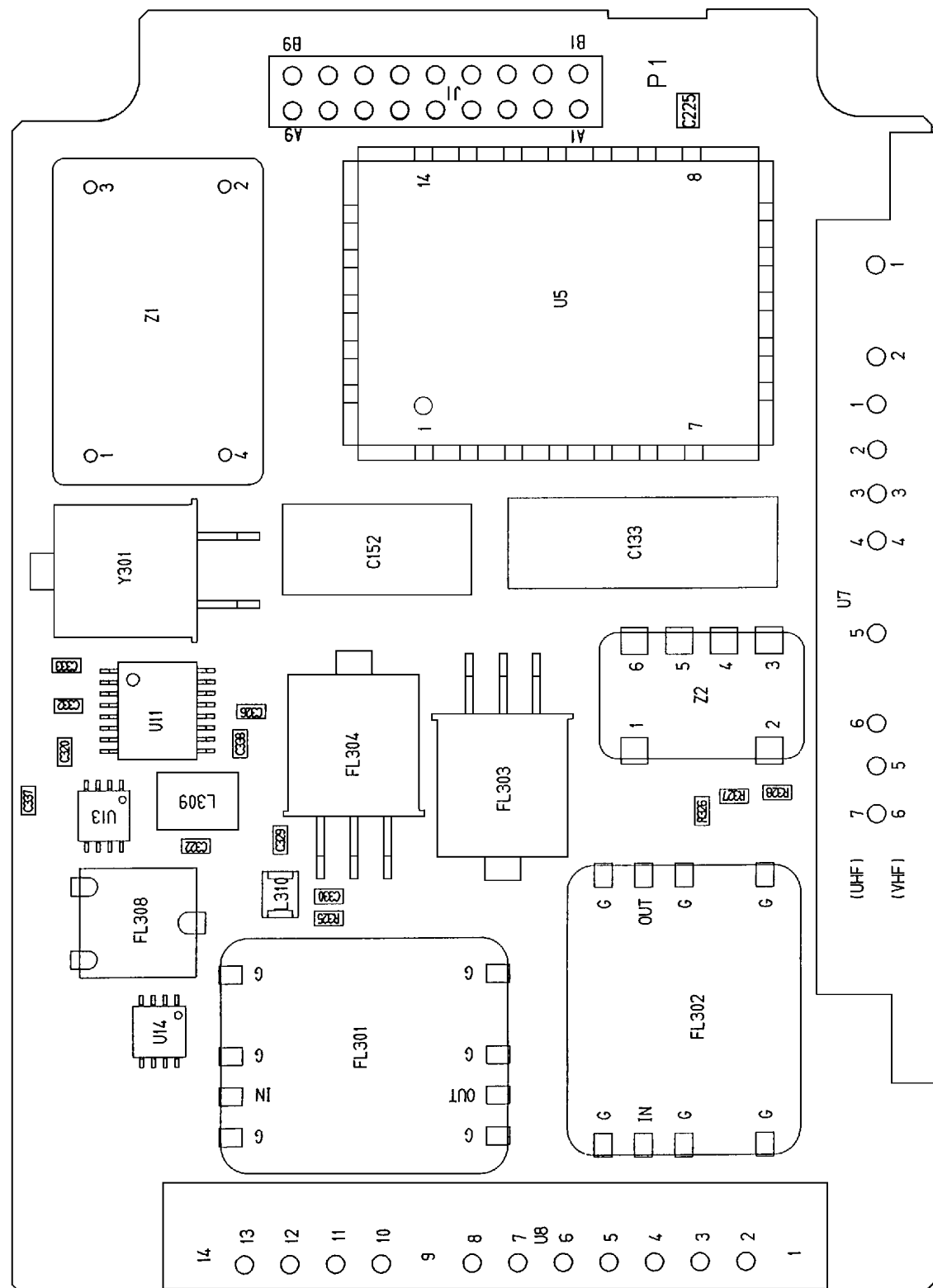
(A3WE05419, Sh. 1, Rev. 8)

(A3WE05419, Sh. 2, Rev. 8)



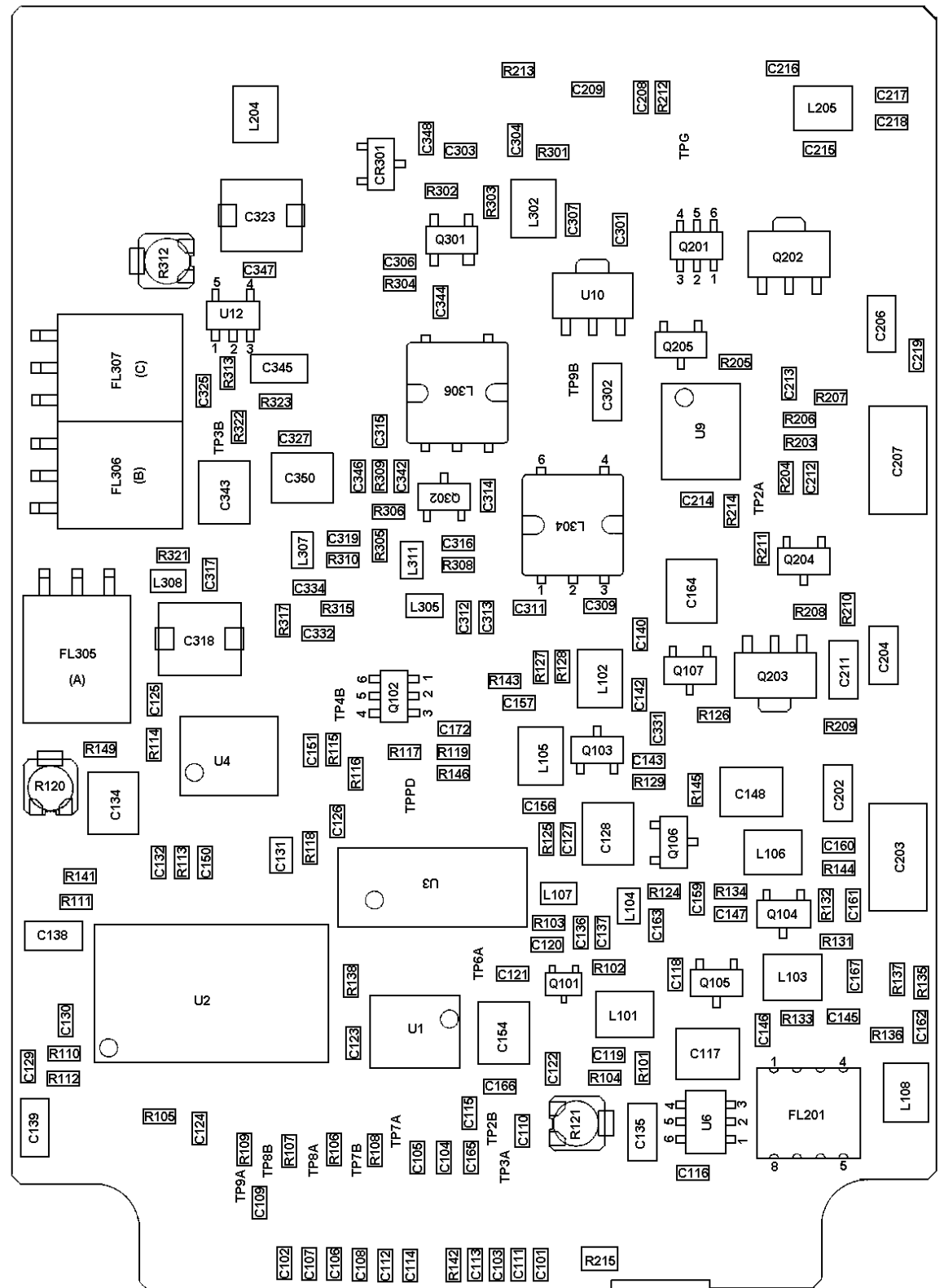
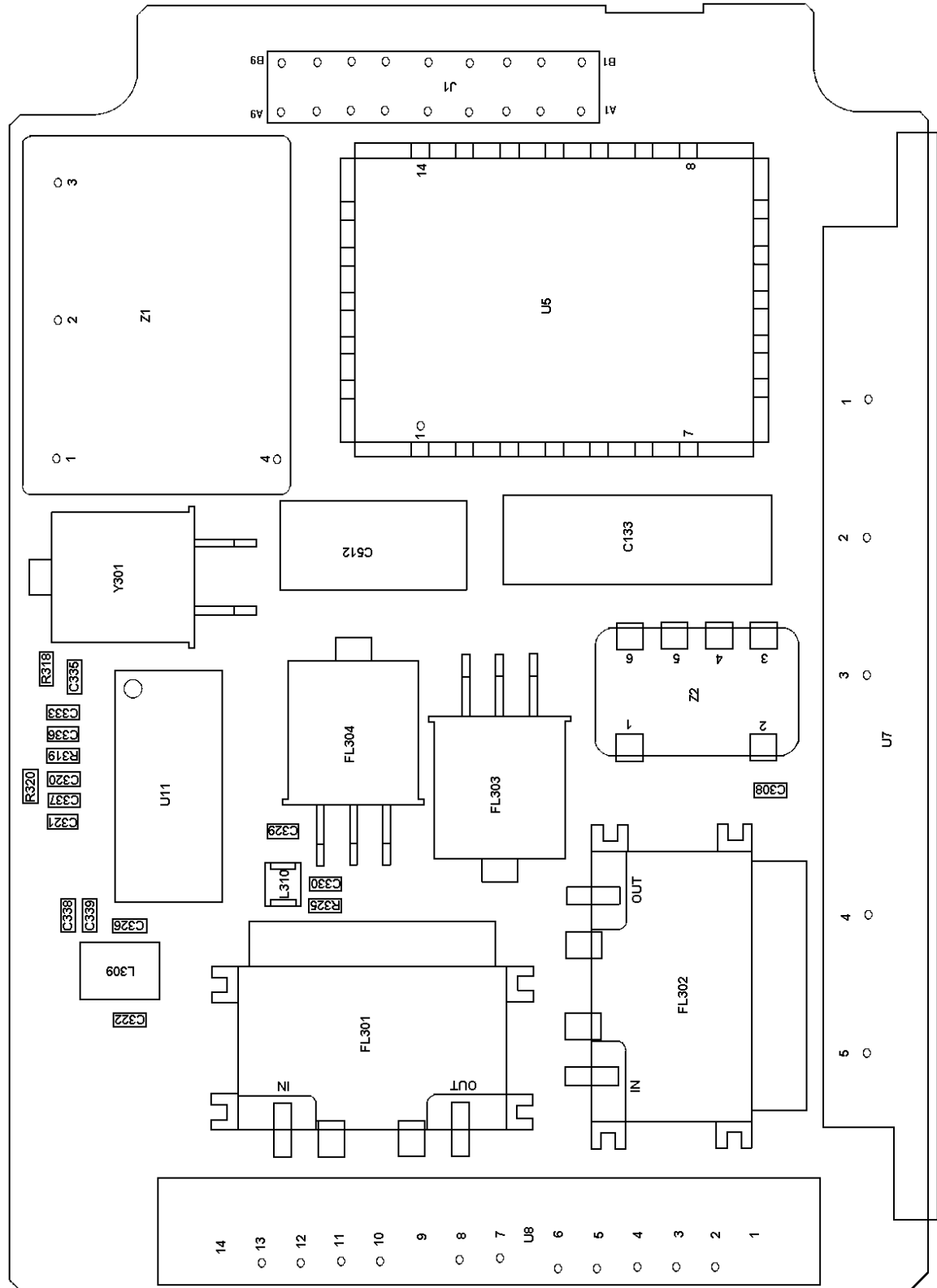
**RF BOARD (FCC/DOC/ETS) VHF/UHF
NON-SWITCHABLE**

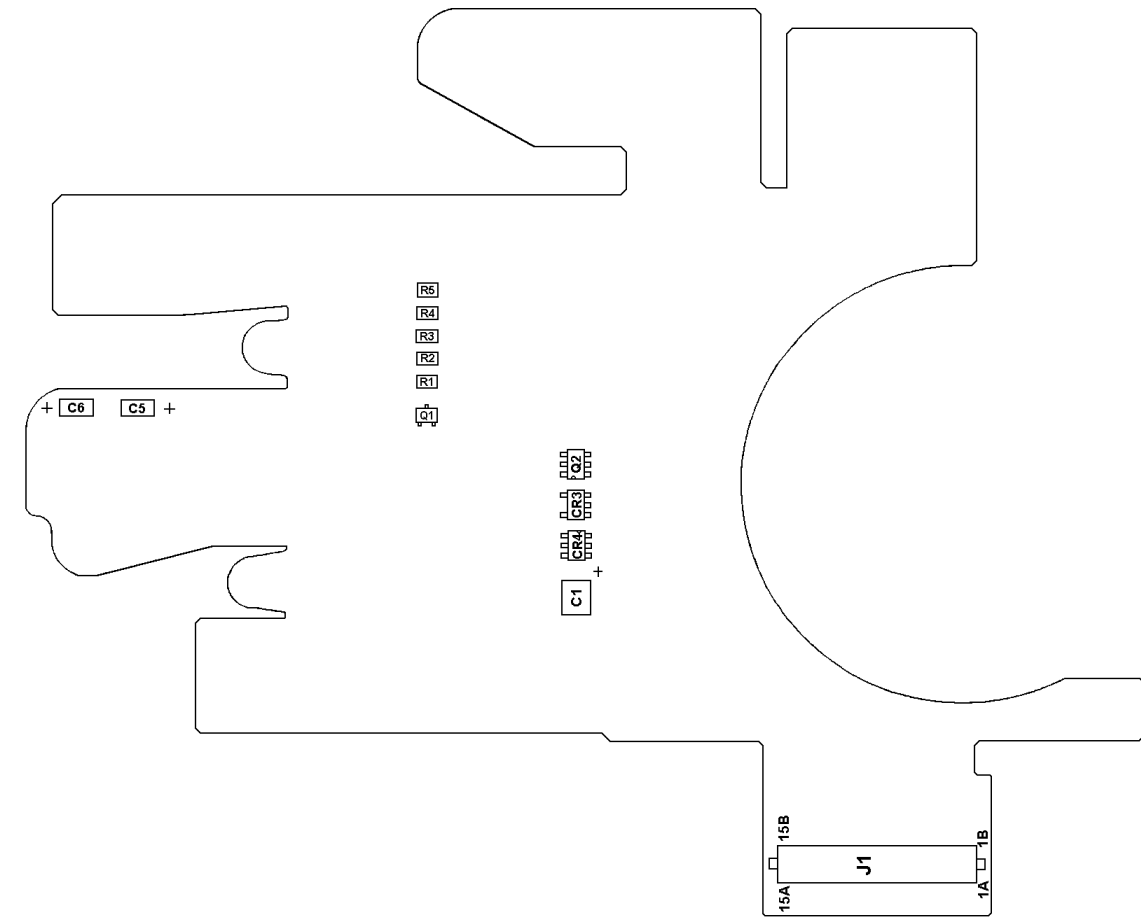
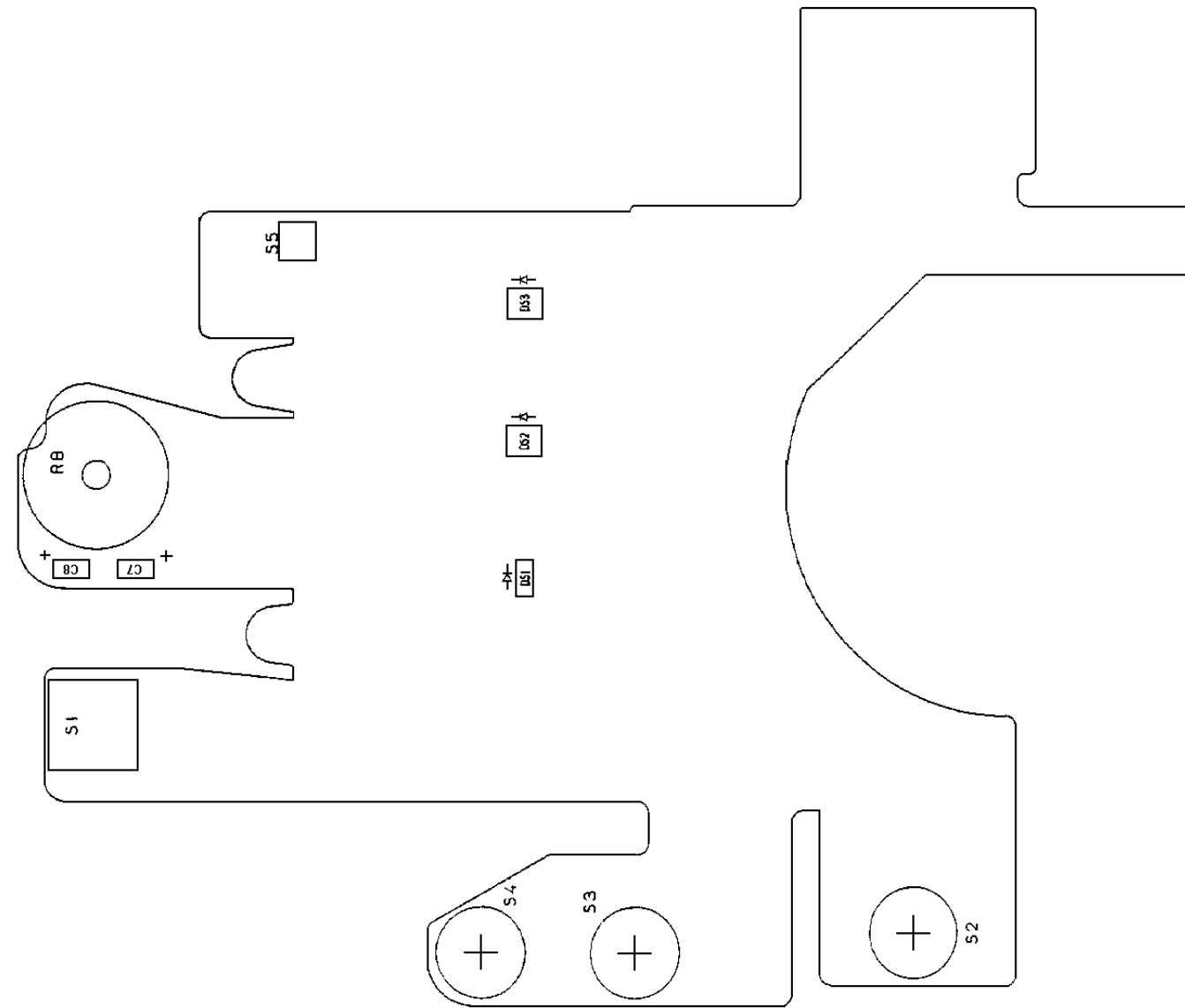
(A3WE06094, Sh. 1, Rev. 4)
(A3WE06094, Sh. 2, Rev. 4)



**RF BOARD (FCC/DOC/ETS)
VHF/UHF
SWITCHABLE**

(A3WE06455, Sh. 1, Rev. 1)
(A3WE06455, Sh. 2, Rev. 1)

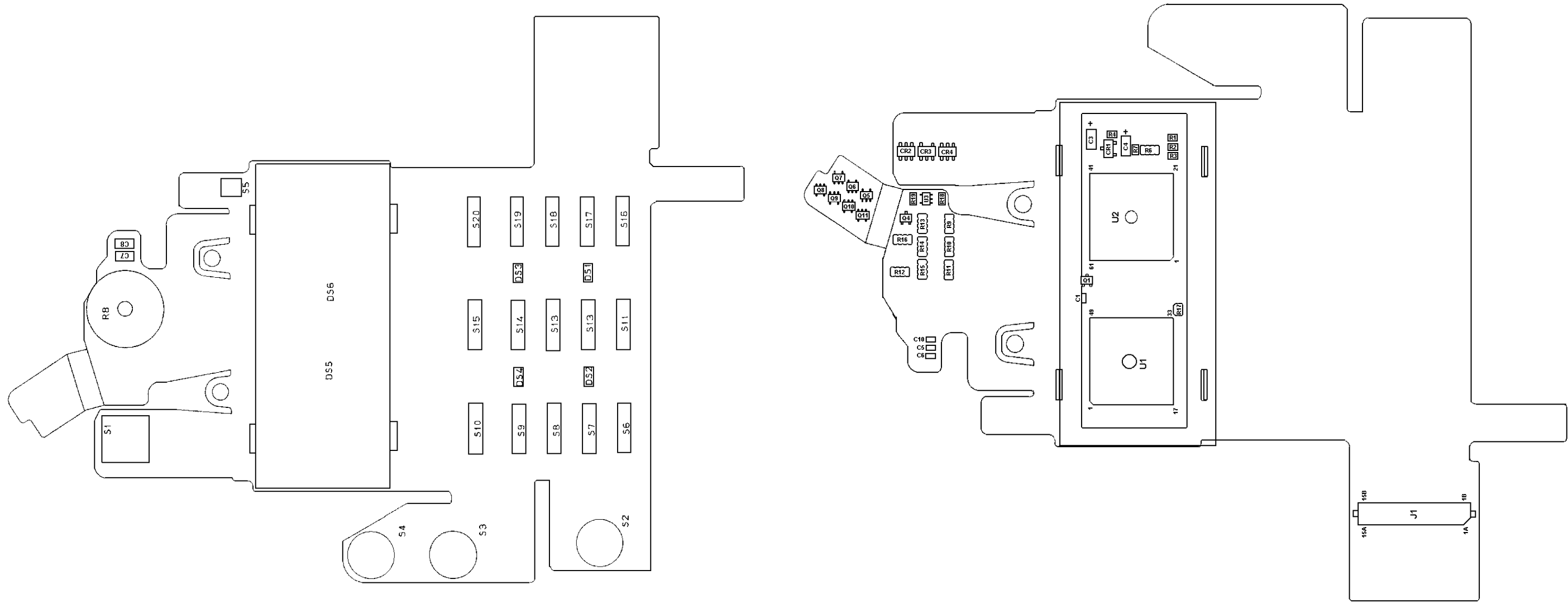




M-RK I LED FLEX ASSEMBLY
K19/AS0000040 (ANALOG)
K19/AS0000121 (AEGIS)

(A2WE05332, Sh. 1, Rev. 4)

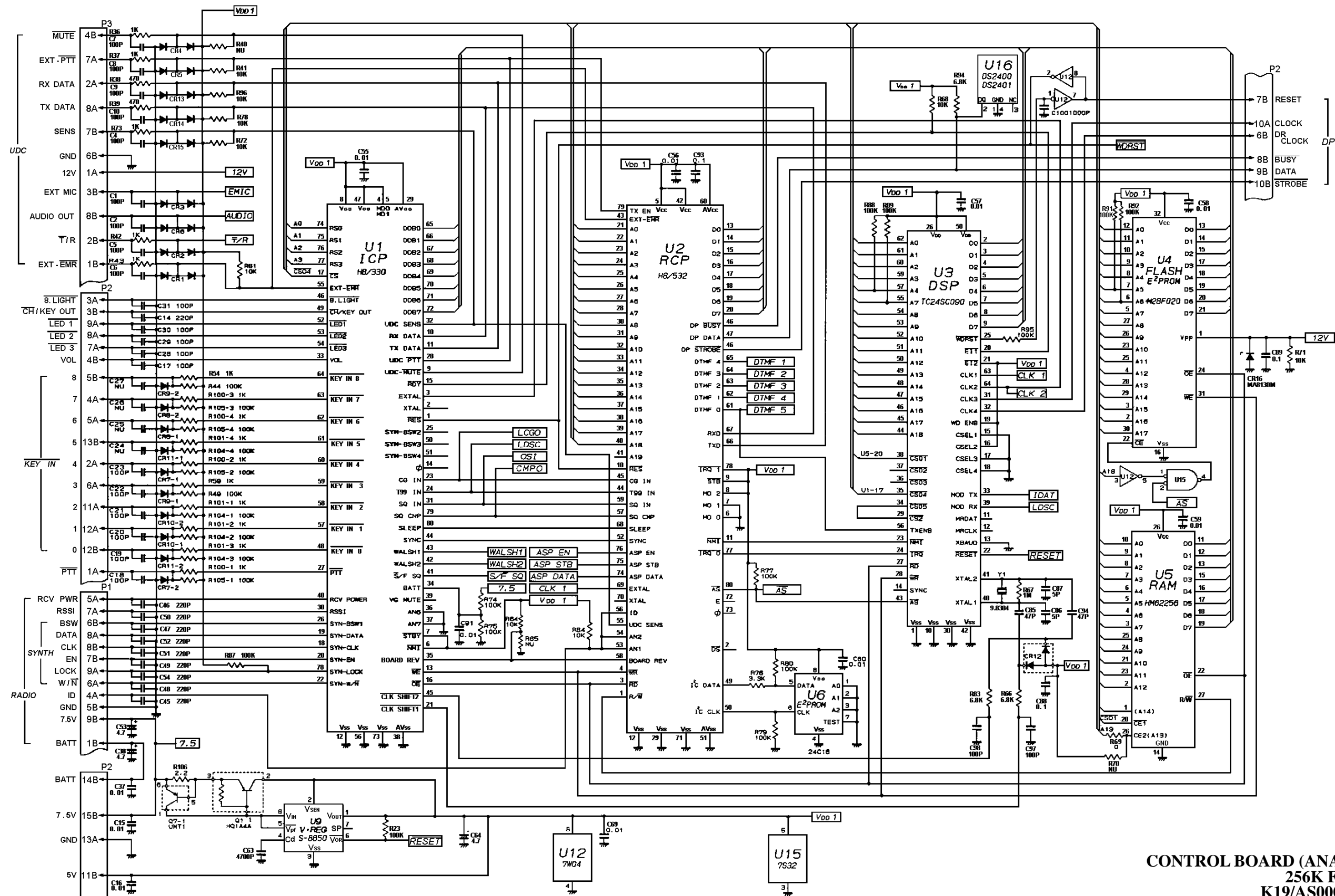
(A2WE05332, Sh. 4, Rev. 4)



M-RK II/SCAN LCD/KB FLEX ASSEMBLY
K19/AS00000057 (ANALOG)
K19/AS00001139 (AEGIS)

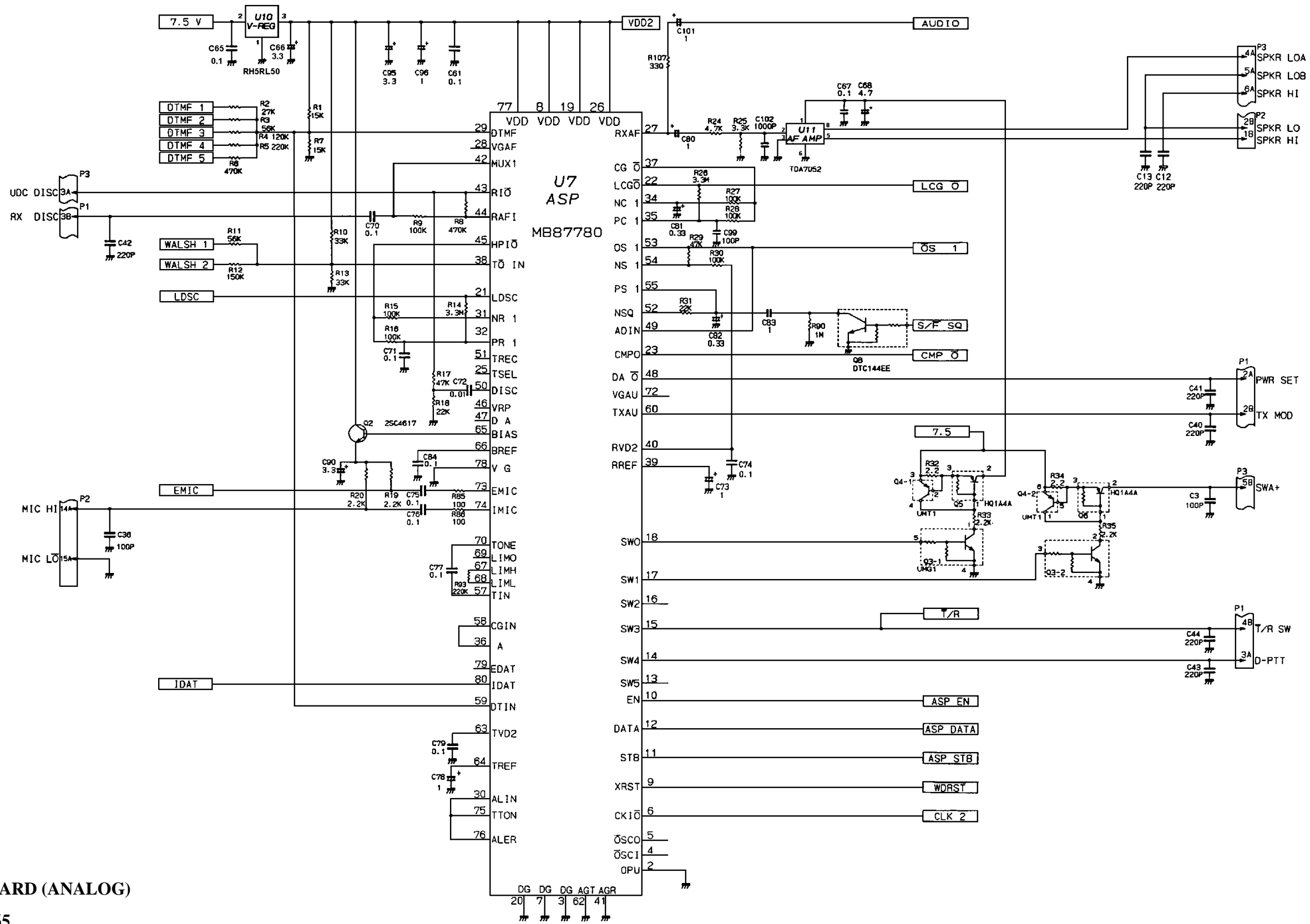
(A2WE05333, Sh. 1, Rev. 8)

(A2WE05332, Sh. 4, Rev. 8)

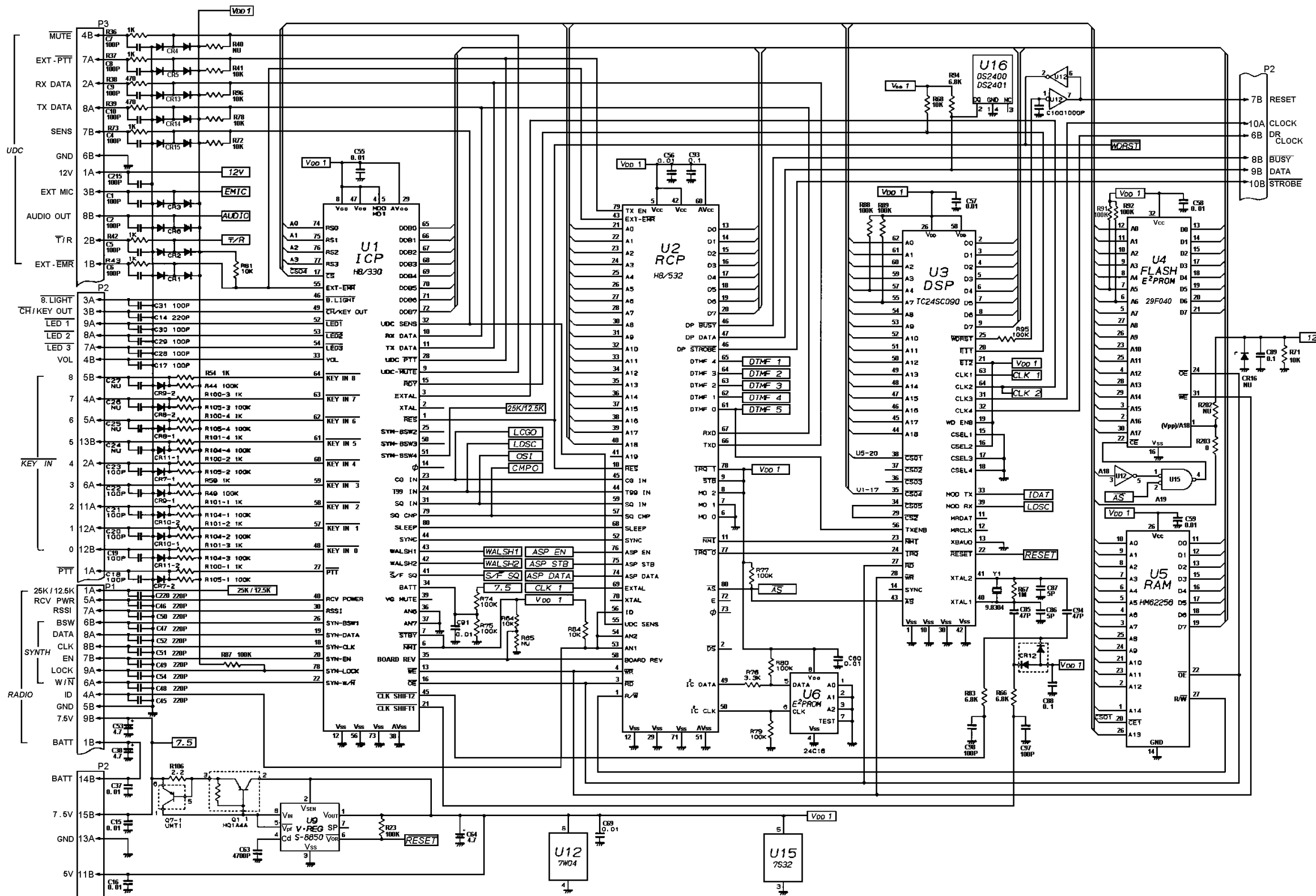


CONTROL BOARD (ANALOG)
256K FLASH
K19/AS0000065

(A2WE05284, Sh. 1, Rev. 15)

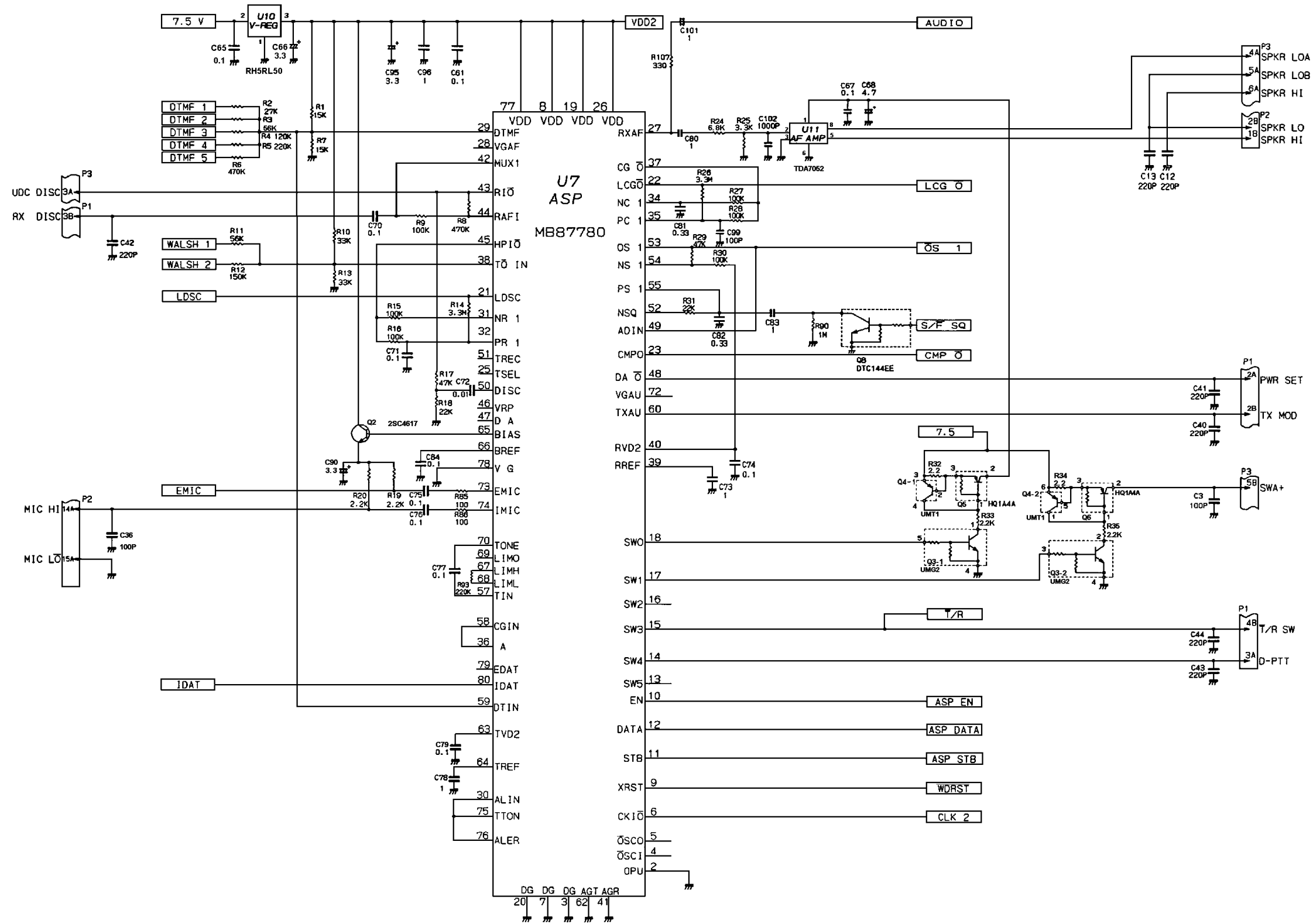


CONTROL BOARD (ANALOG)
256K FLASH
K19/AS00000065

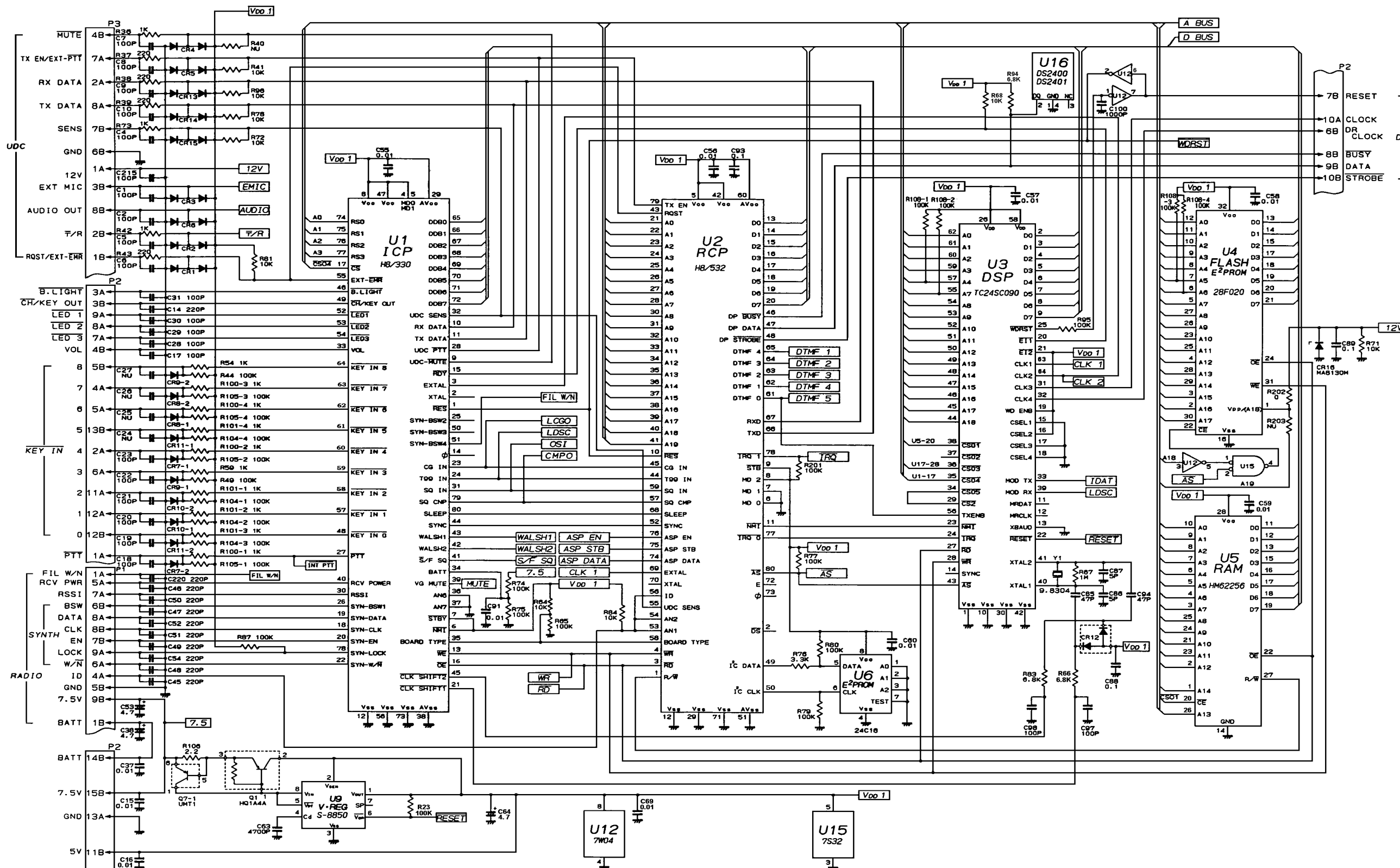


CONTROL BOARD (ANALOG)
512K FLASH
K19/AS0001196

(A2WE06483, Sh. 1, Rev. 2)

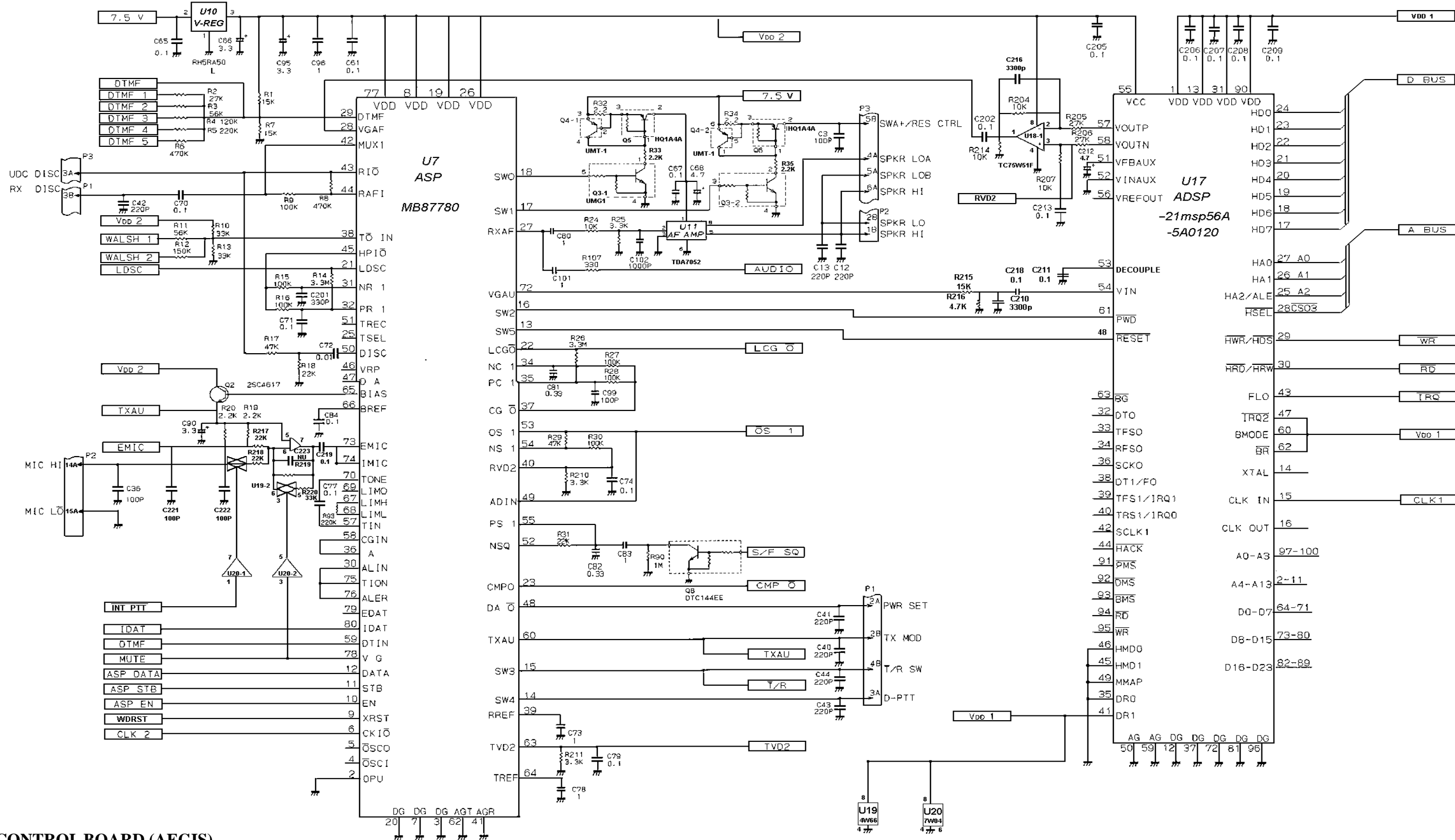


CONTROL BOARD (ANALOG)
512K FLASH
K19/AS00001196

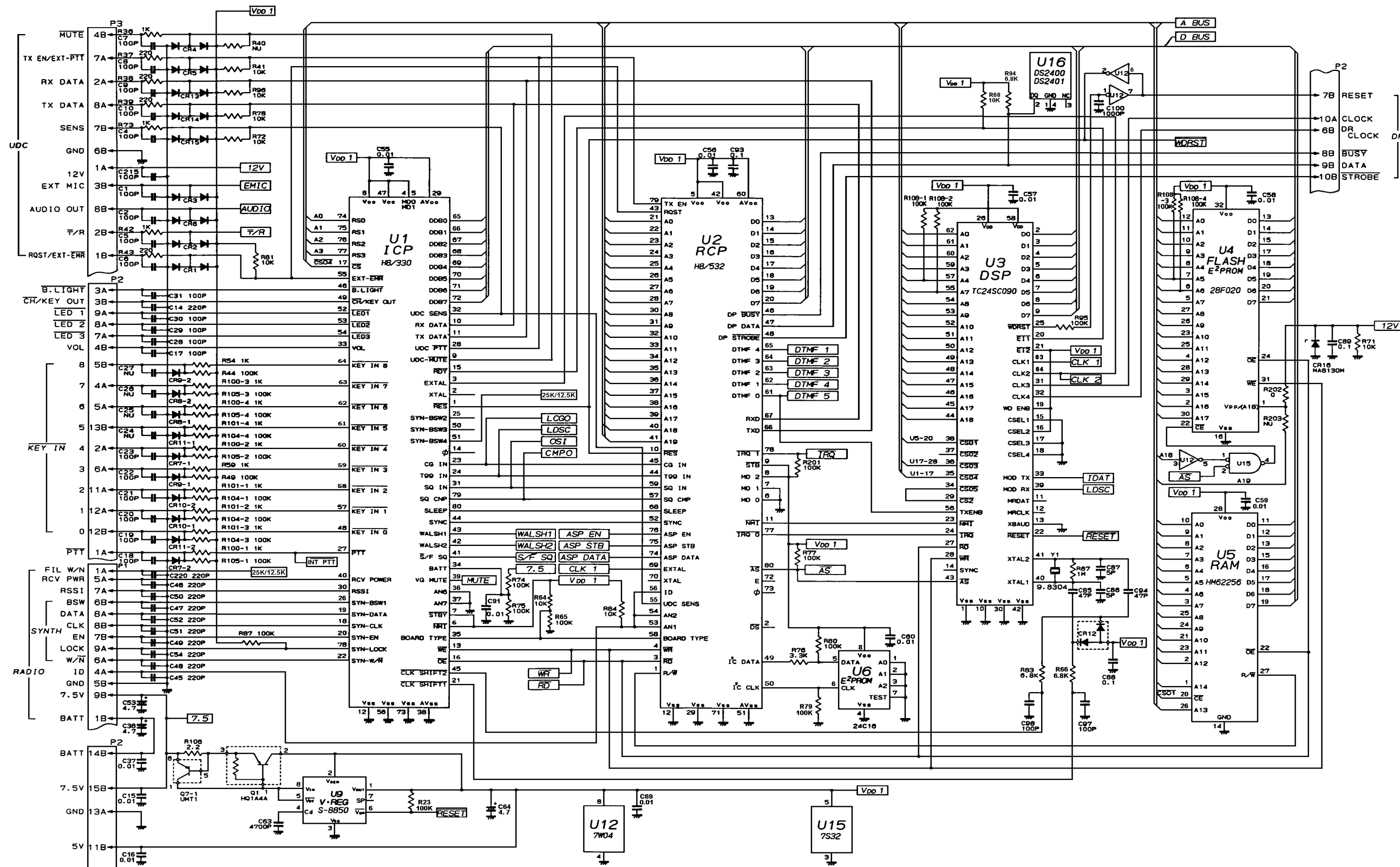


CONTROL BOARD (AEGIS)
256K FLASH
K19/AS0001147

(A2WE06080, Sh. 1, Rev. 7)

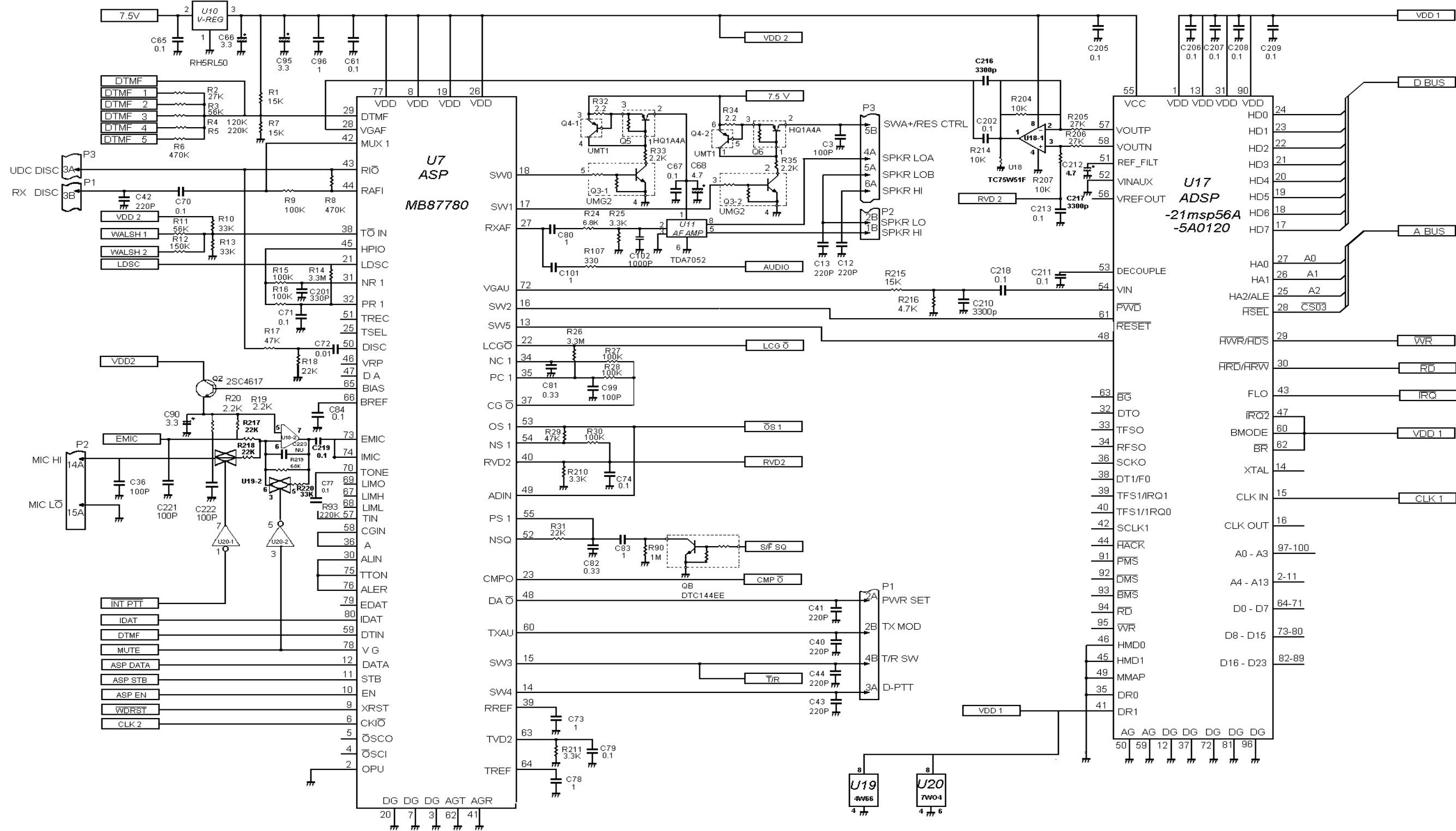


**CONTROL BOARD (AEGIS)
256K FLASH
K19/AS00001147**



CONTROL BOARD (AEGIS)
512K FLASH
K19/AS00001204

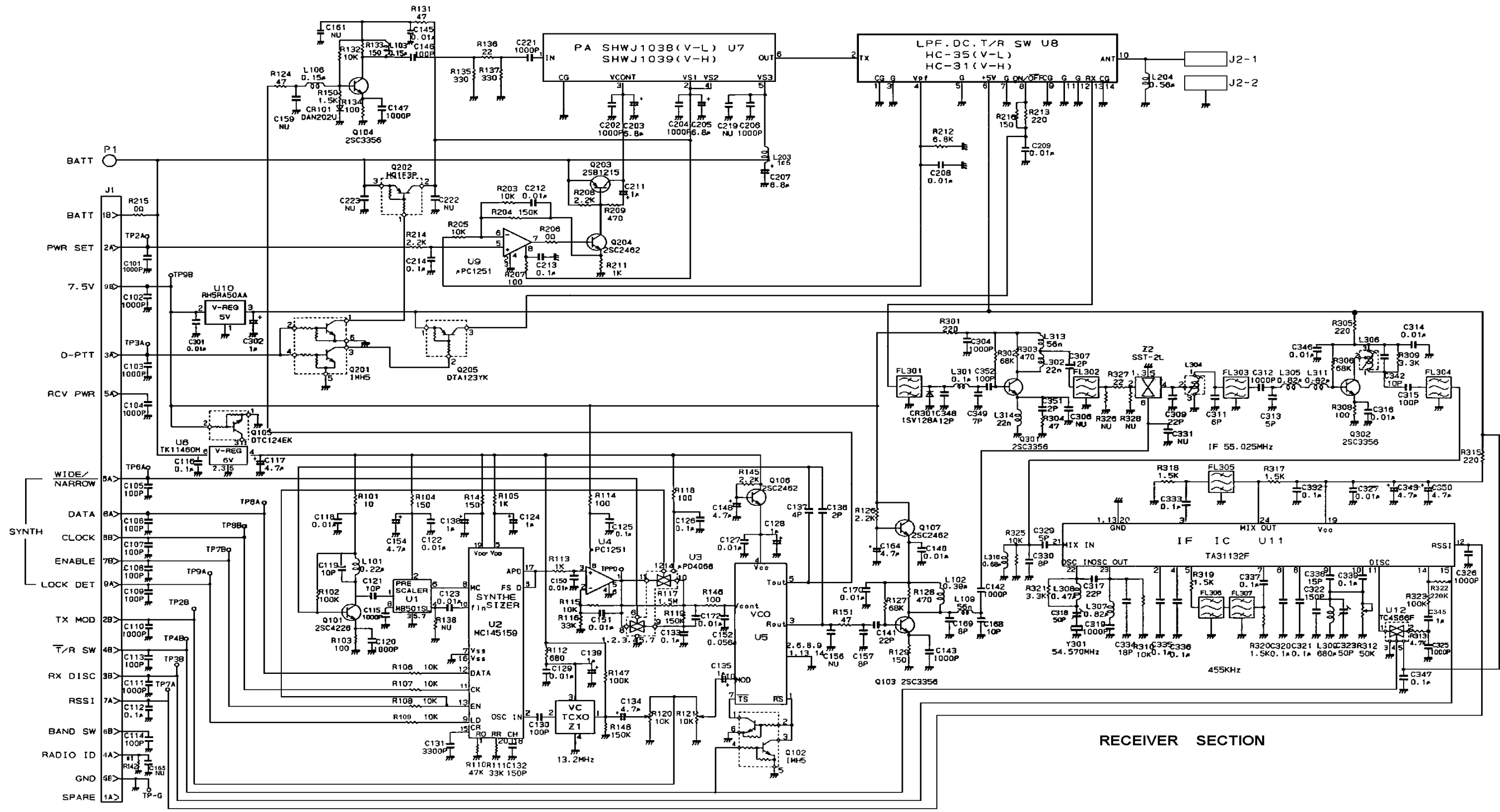
(A2WE06484, Sh. 1, Rev. 2)



CONTROL BOARD (AEGIS)
512K FLASH
K19/AS00001204

(A2WE06484, Sh. 2, Rev. 2)

TRANSMITTER SECTION

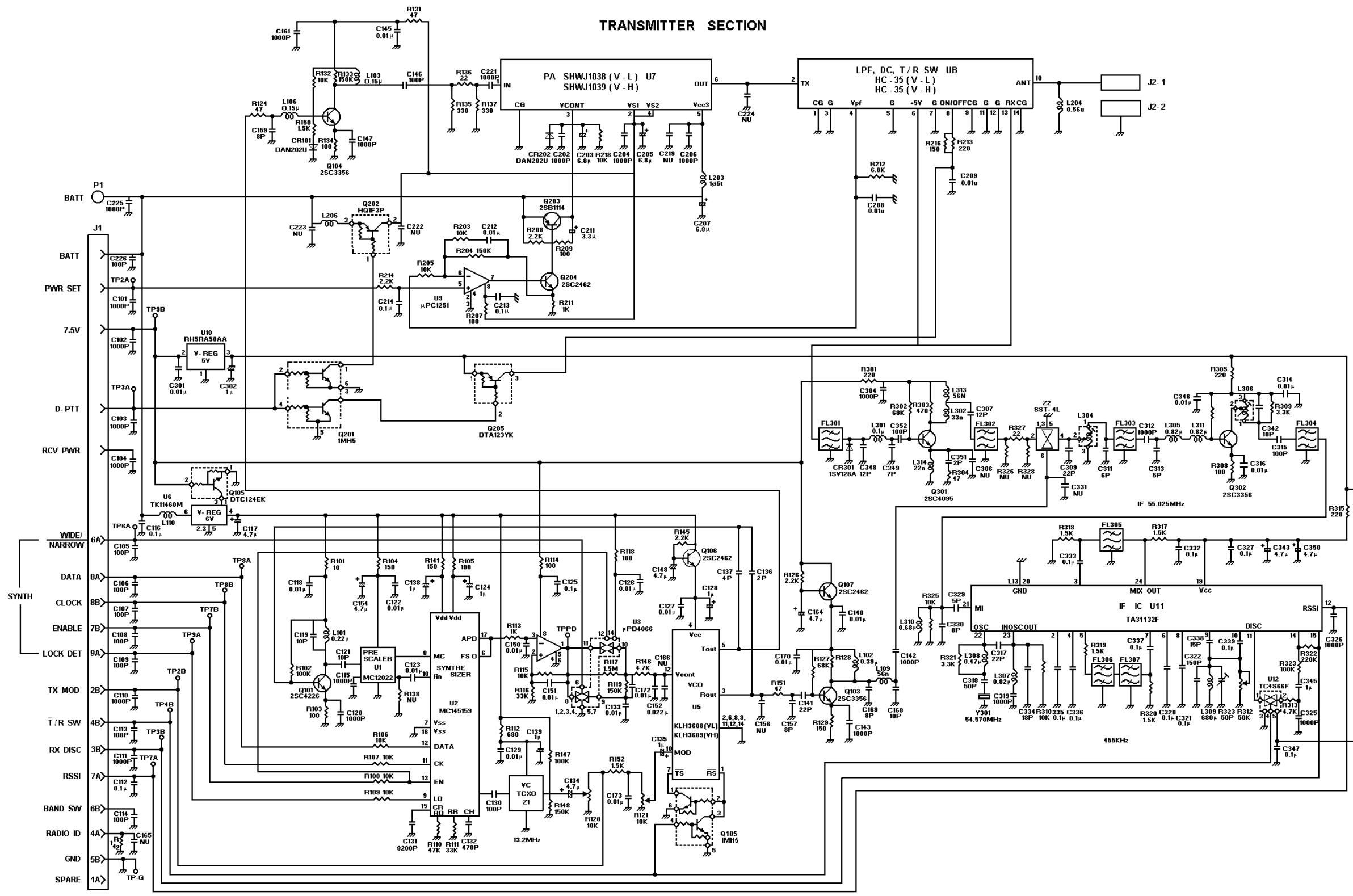


SYNTHESIZER SECTION

	V-L	V-H
#1	2.2K	4.7K

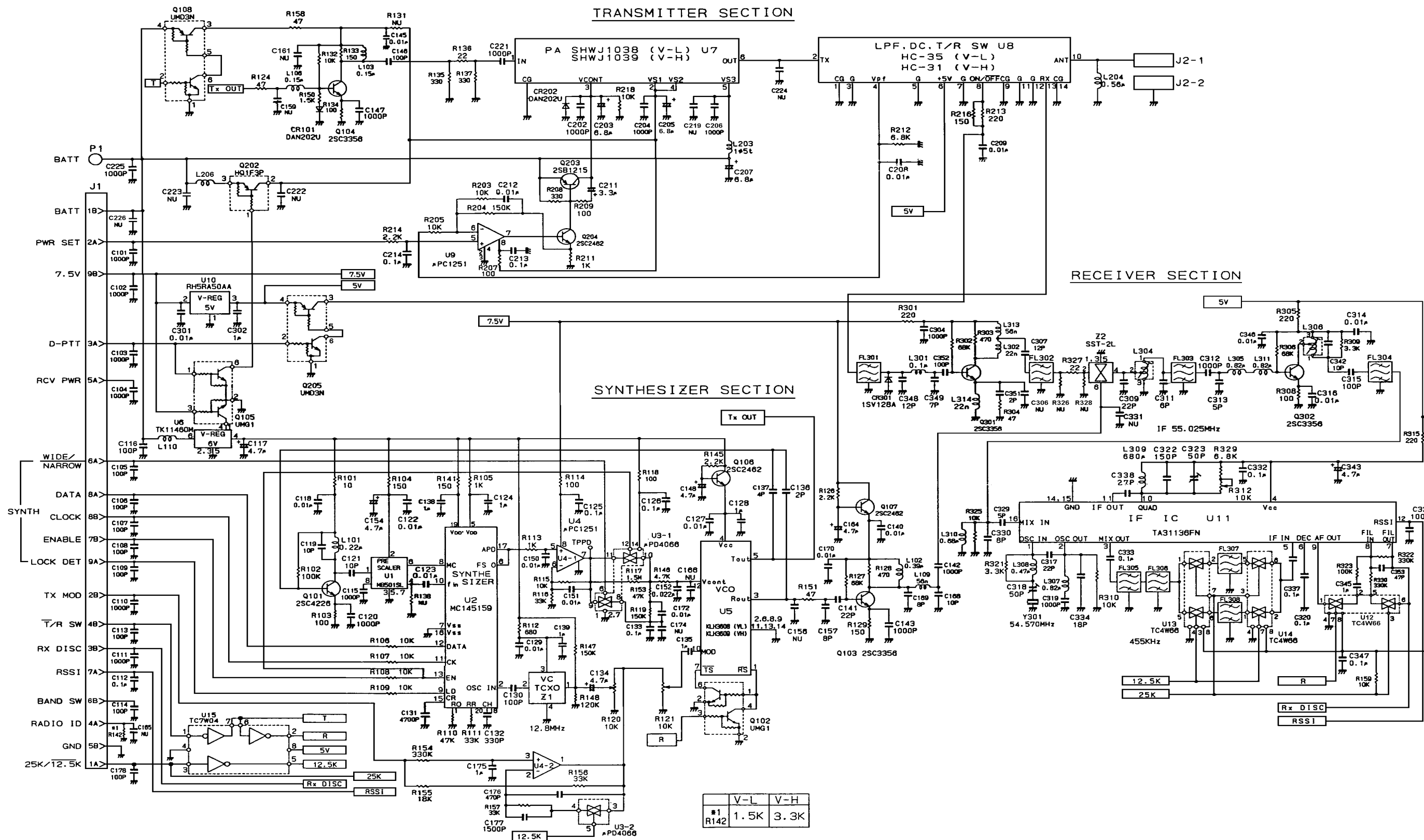
RECEIVER SECTION

RF BOARD (FCC/DOC) VHF
NON-SWITCHABLE



RF BOARD (FCC/DOC/ETS) VHF
NON-SWITCHABLE

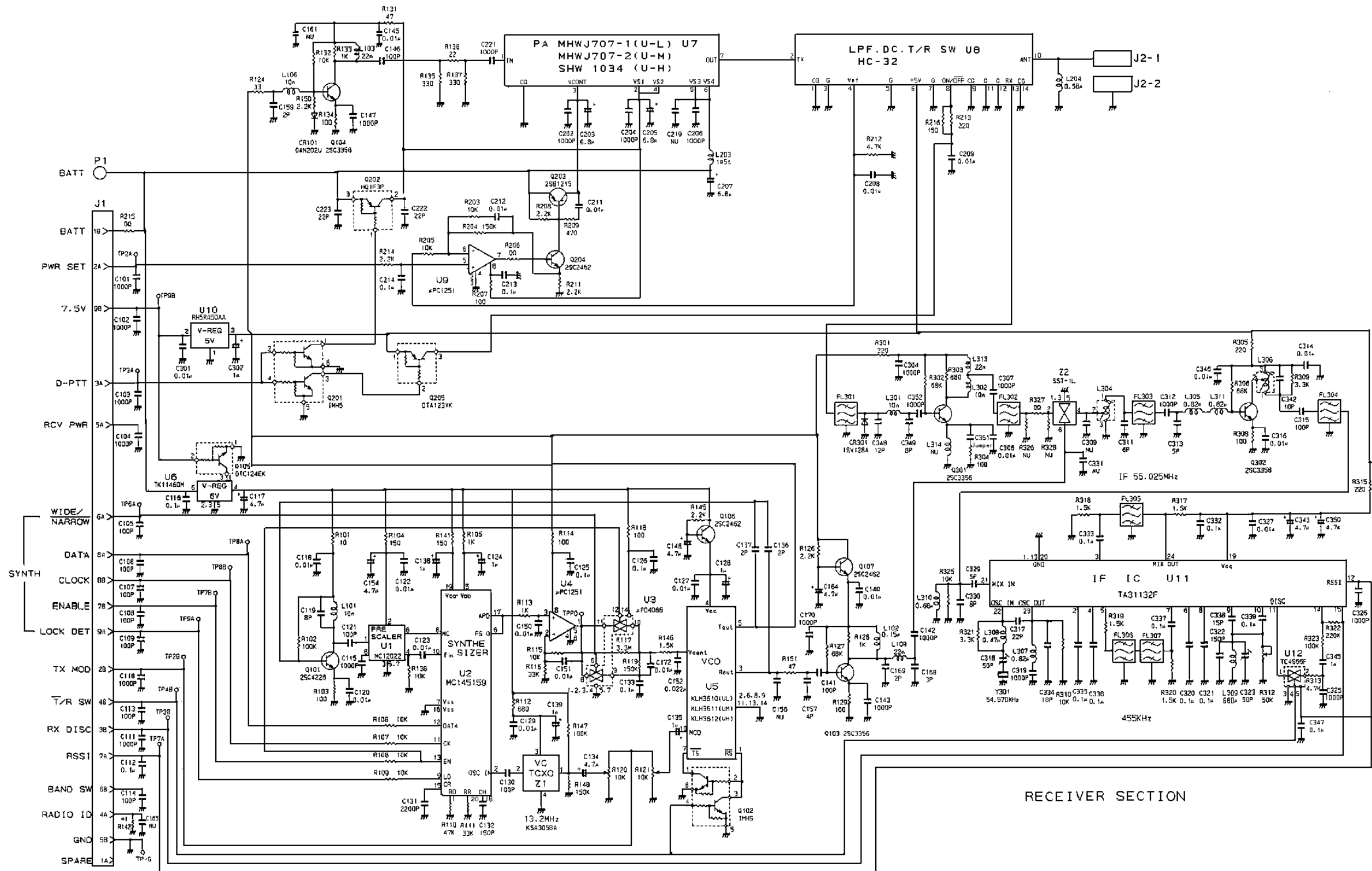
	V-L	V-H
#1	2.2K	4.7K



RF BOARD (FCC/DOC/ETS) VHF SWITCHABLE

(A2WE06453, Rev. 2)

TRANSMITTER SECTION



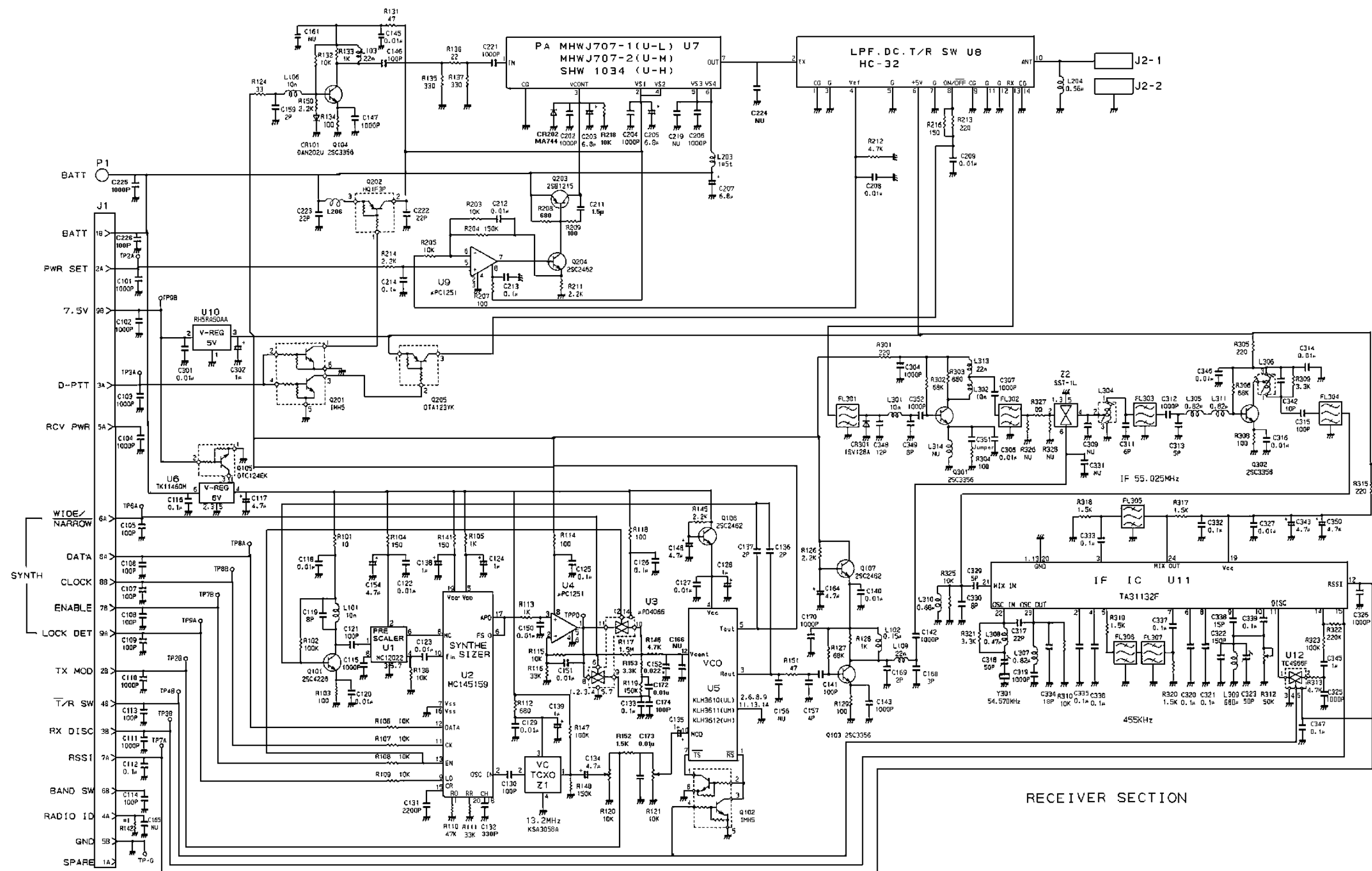
RECEIVER SECTION

SYNTHESIZER SECTION

RF BOARD (FCC/DOC) UHF
NON-SWITCHABLE

	U-L	U-M	U-H
#1 R142	22K	47K	68K

TRANSMITTER SECTION



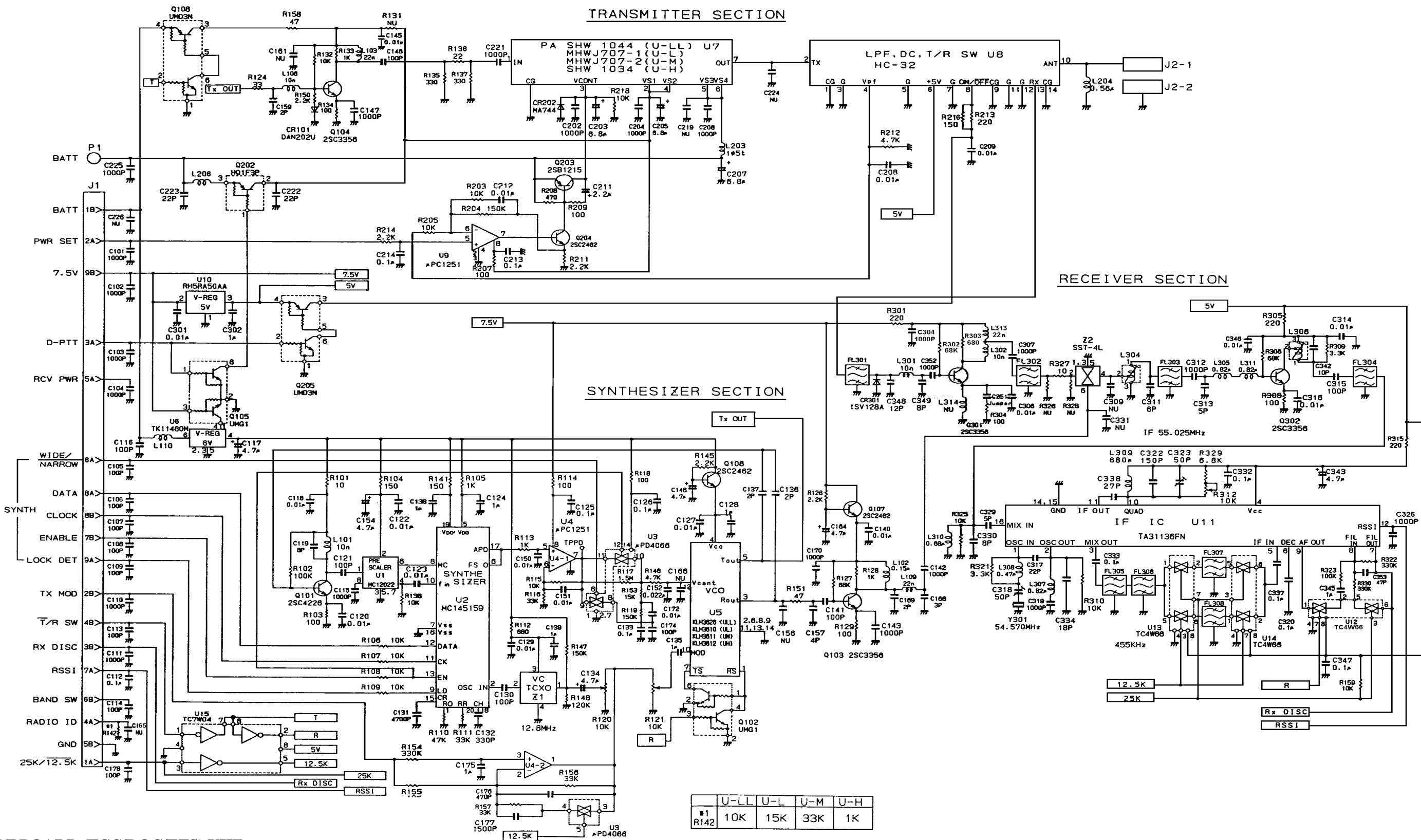
RECEIVER SECTION

SYNTHESIZER SECTION

	U-L	U-M	U-H
#1 R142	22K	47K	68K

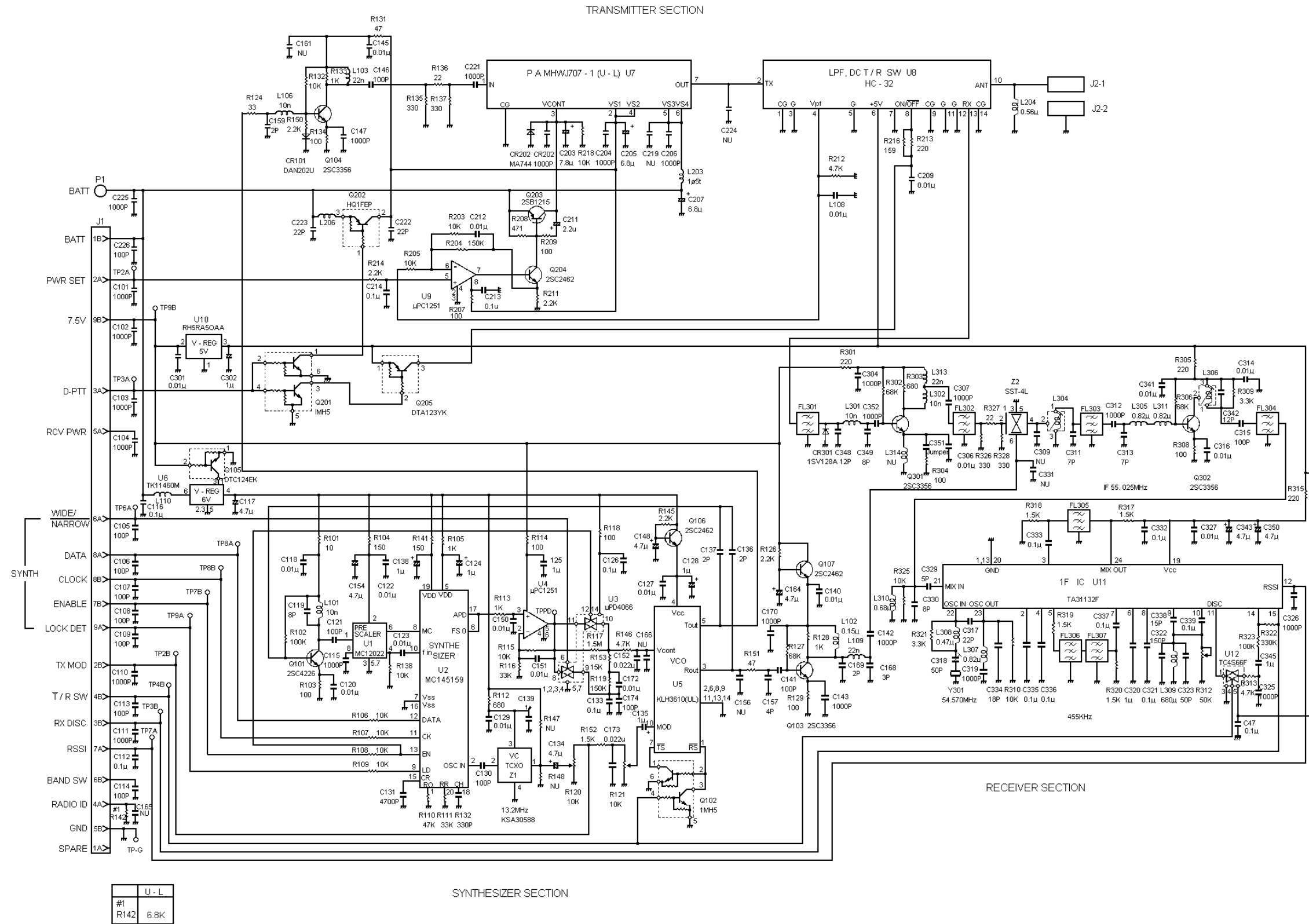
RF BOARD (FCC/DOC/ETS) UHF
NON-SWITCHABLE

(A2WE06097, Rev. 3)



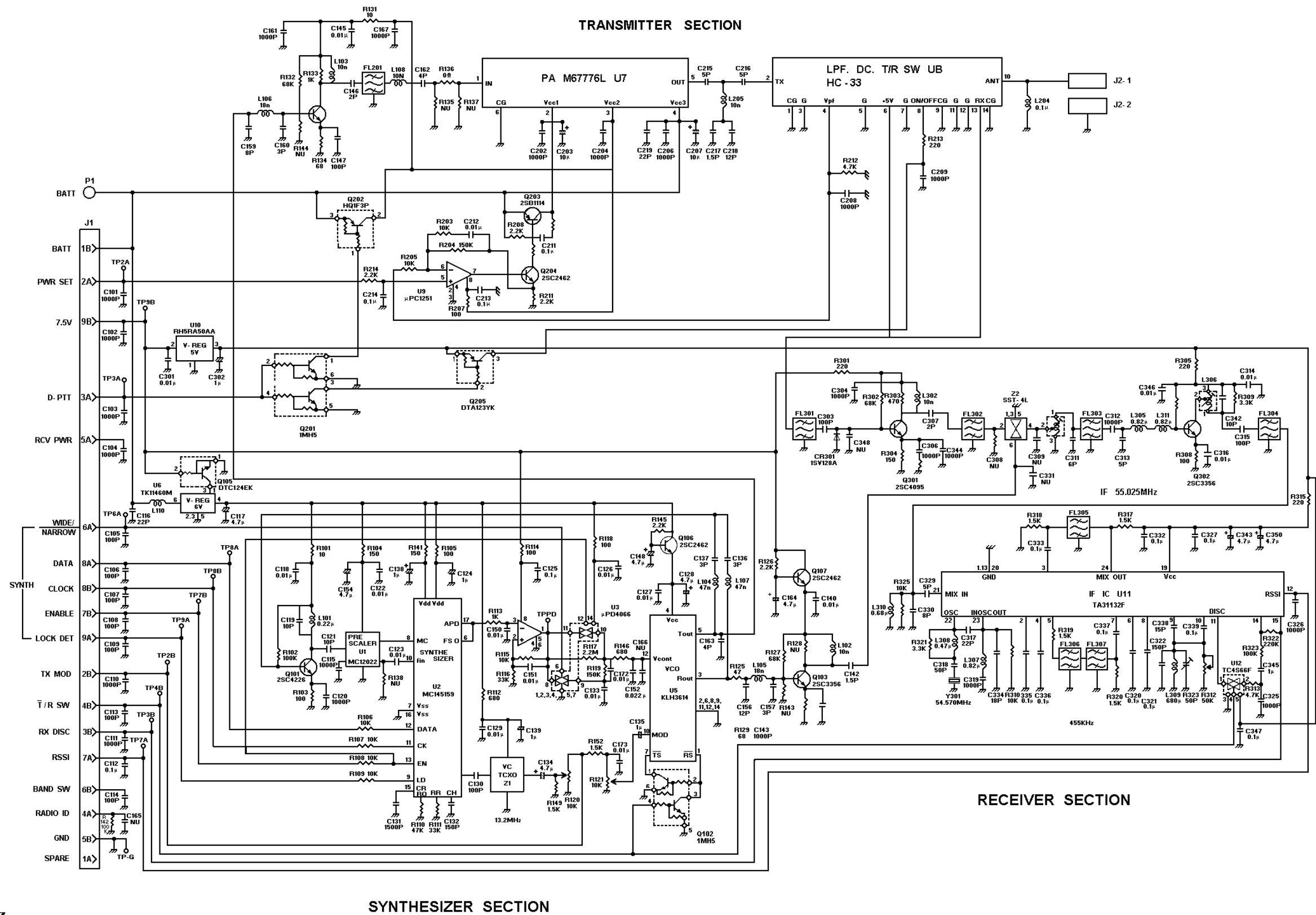
RF BOARD (FCC/DOC/ETS) UHF SWITCHABLE

(A2WE06454, Rev. 0)

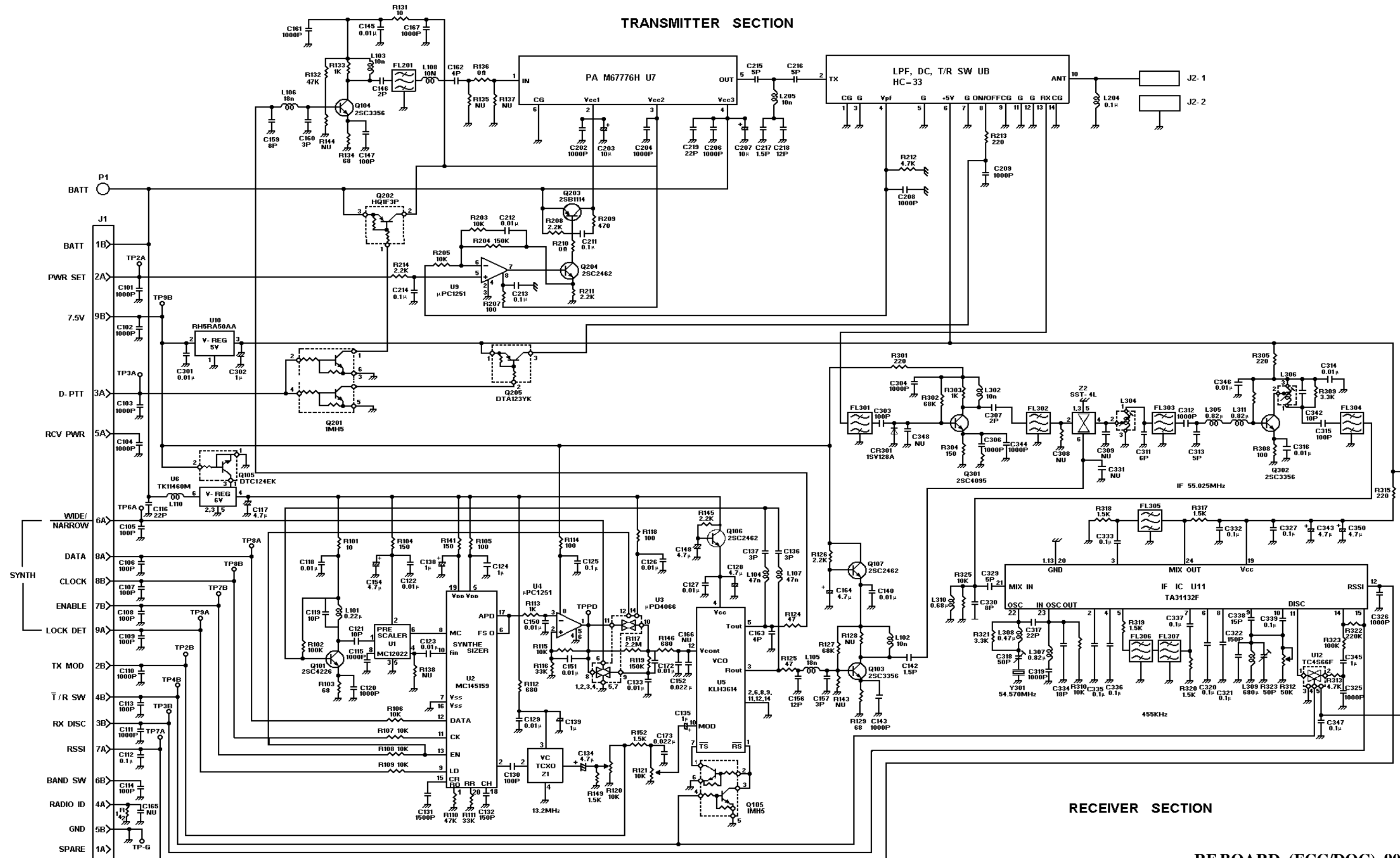


RF BOARD (ETS) UHF
12.5 kHz CHANNEL SPACING ONLY

(A2WE06375, Sh. 1, Rev. 0)



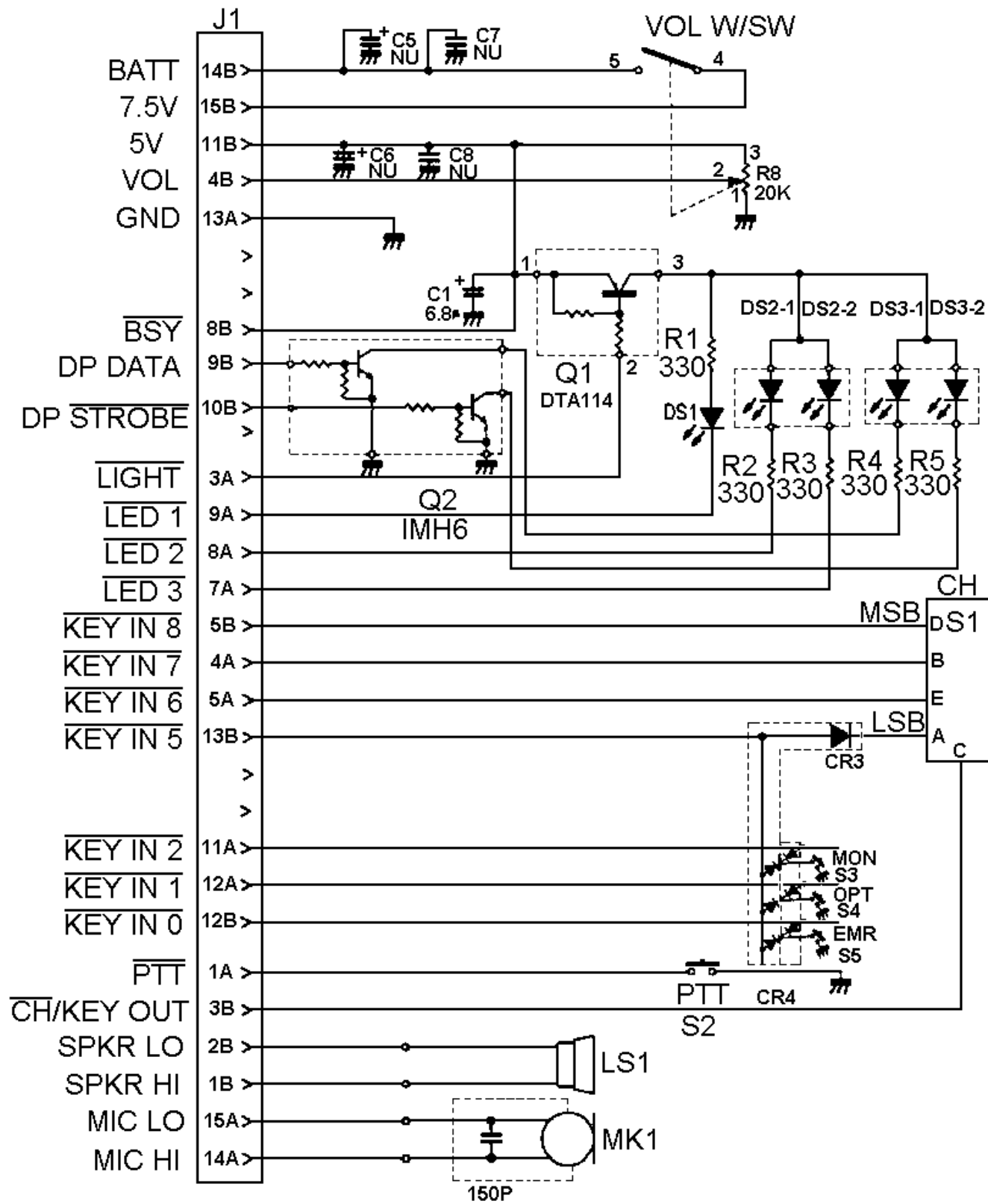
RF BOARD (FCC/DOC) 800 MHz
K19/AS00000164



RF BOARD (FCC/DOC) 900 MHz K19/AS0000172

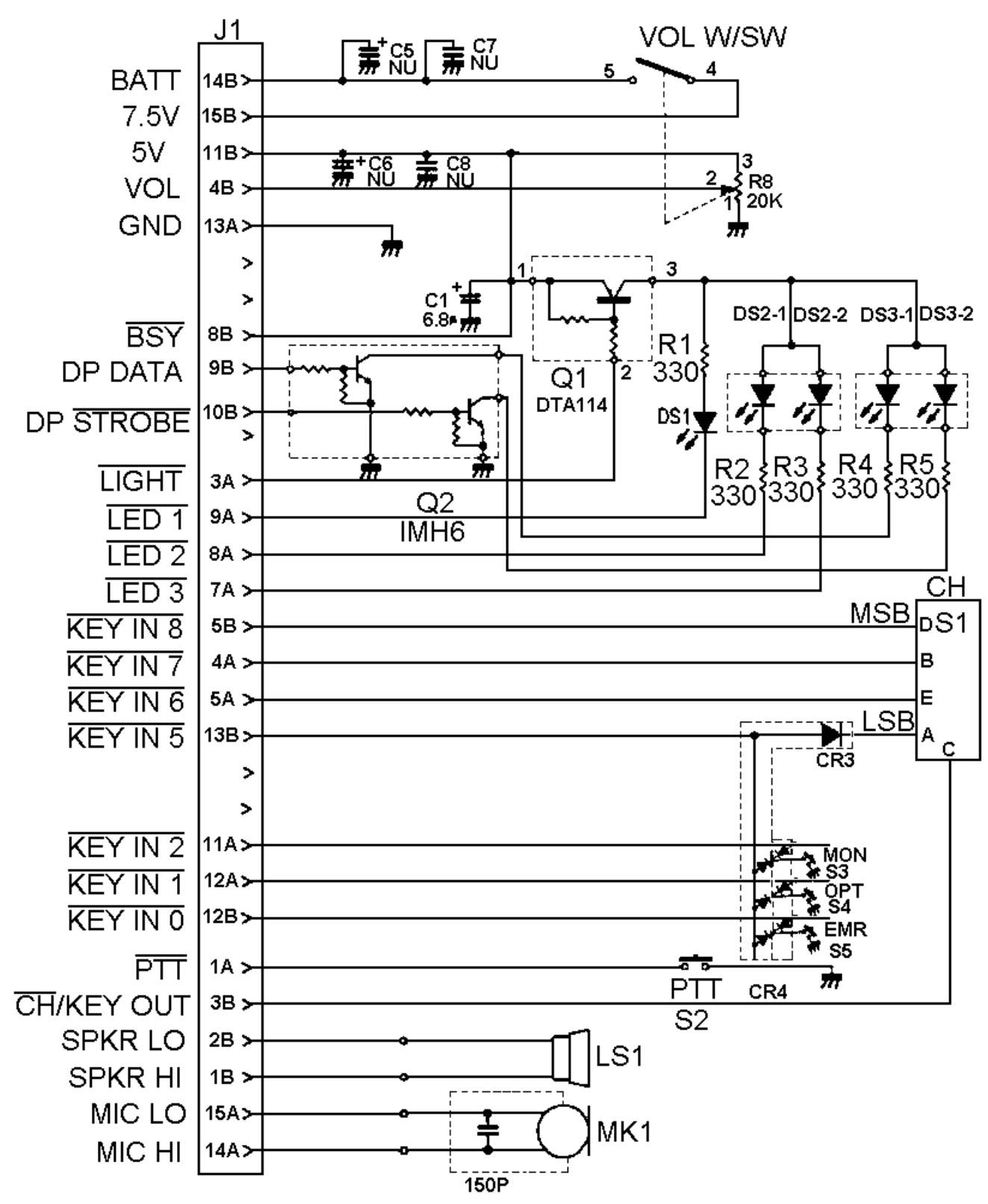
SYNTHESIZER SECTION

(A2WE05283, Rev. 7)



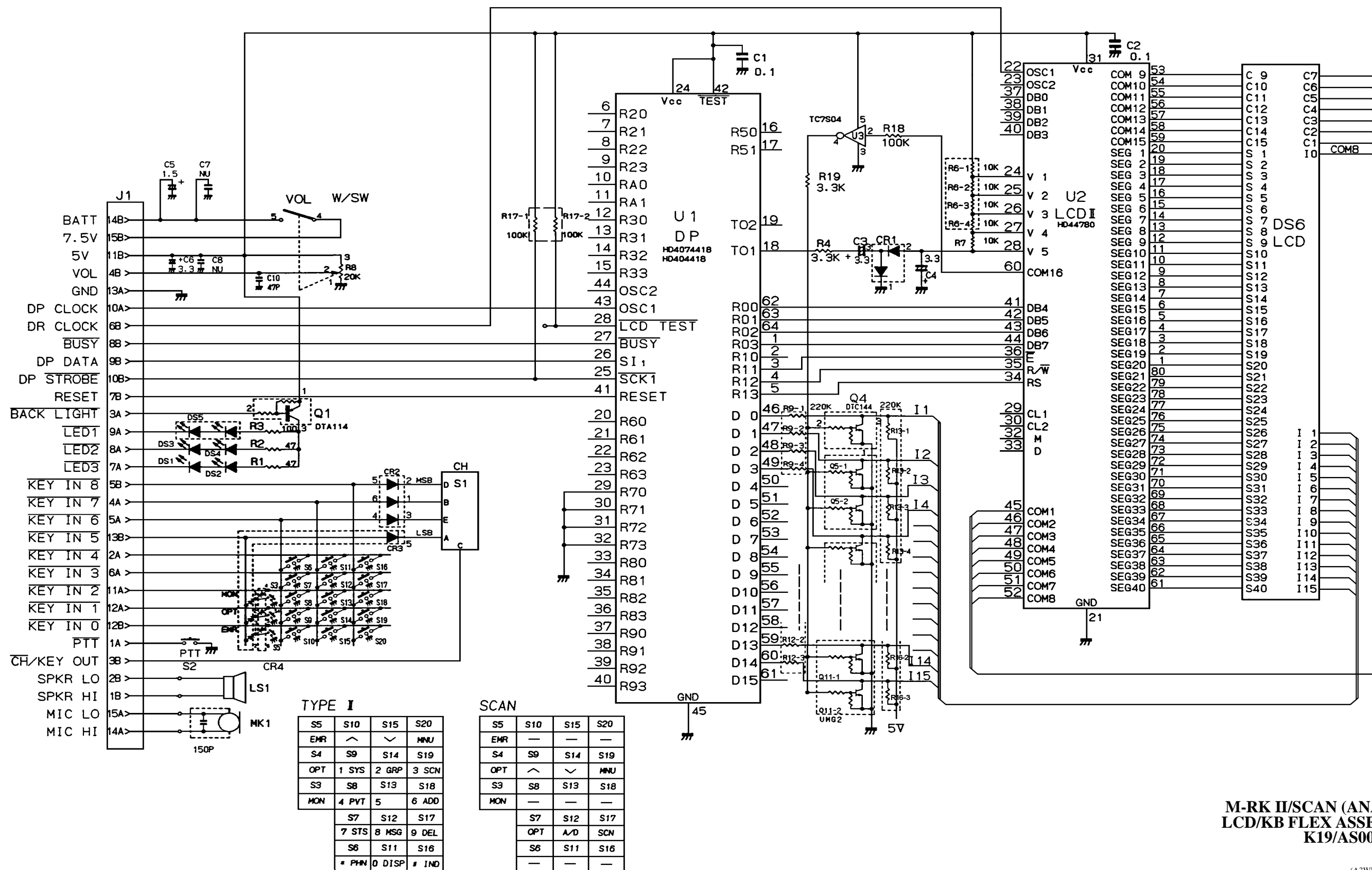
**M-RK I (ANALOG)
 LED FLEX ASSEMBLY
 K19/AS0000040**

(A3WE05285, Rev. 4)



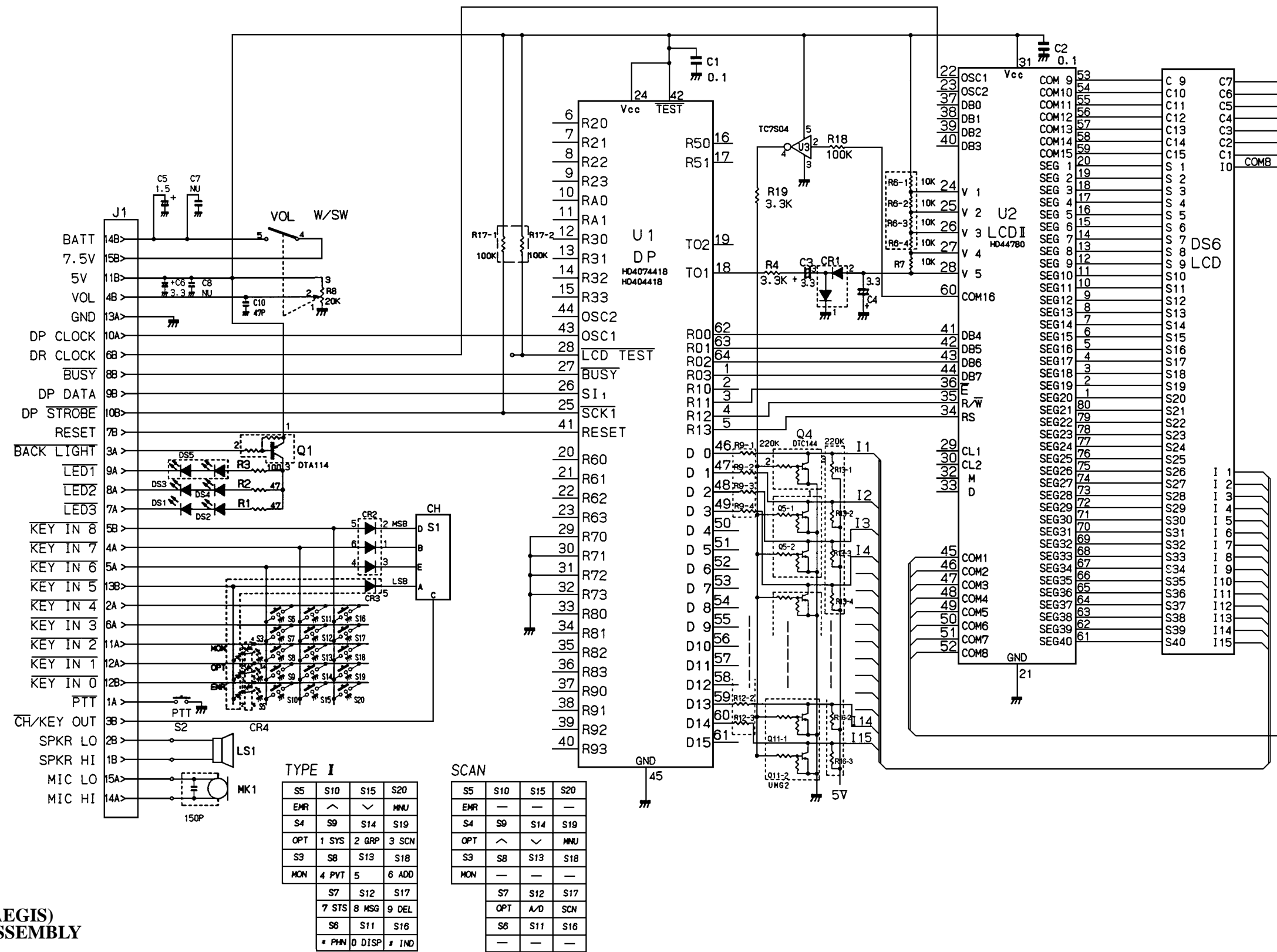
**M-RK I (AEGIS)
 LED FLEX ASSEMBLY
 K19/AS0000121**

(A4WE06081, Rev. 1)



M-RK II/SCAN (ANALOG)
LCD/KB FLEX ASSEMBLY
K19/AS0000057

(A3WE05286, Rev. 8)



M-RK II/SCAN (AEGIS)
LCD/KB FLEX ASSEMBLY
K19/AS00001139

This page intentionally left blank