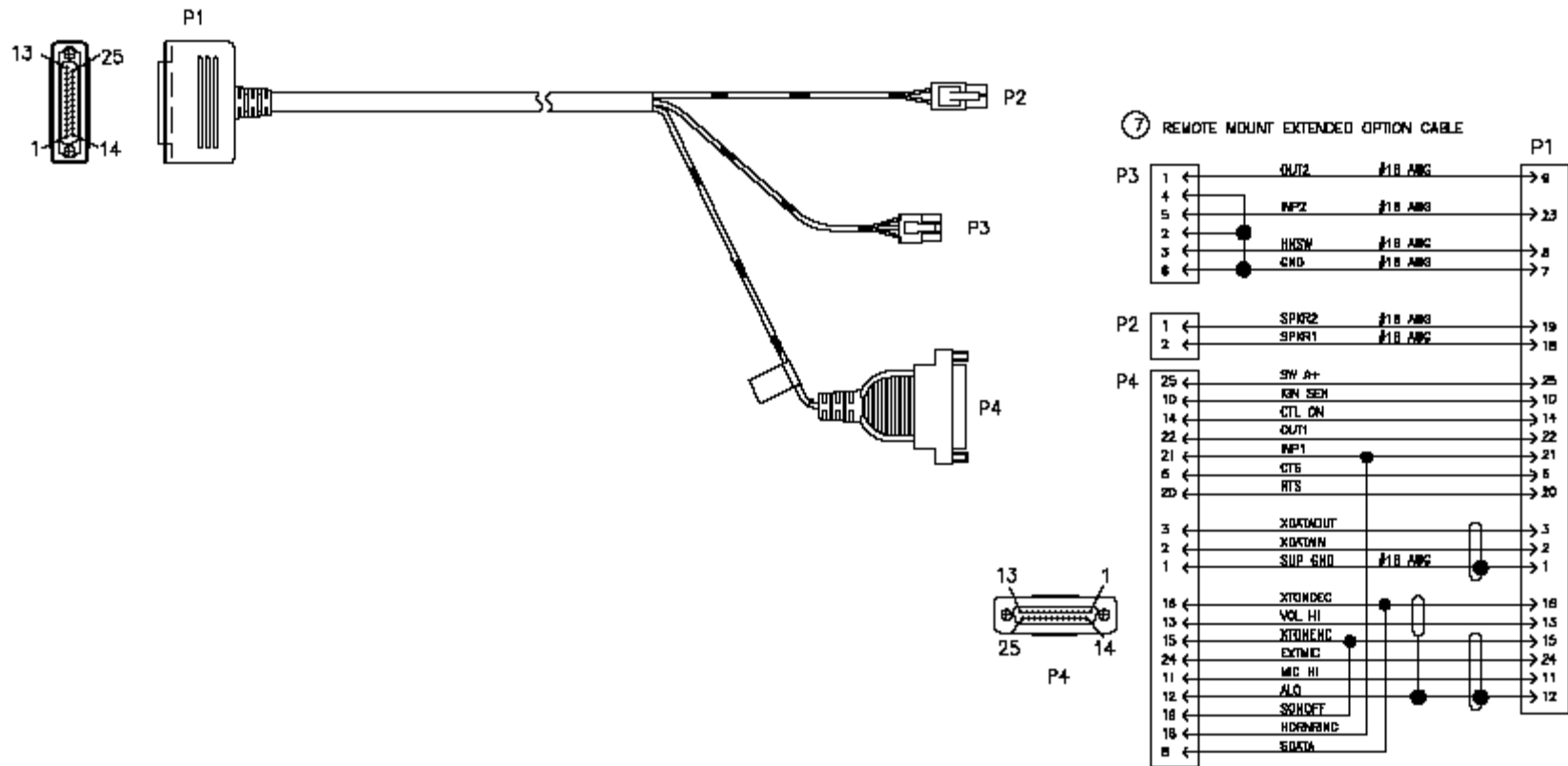


# Headset connections for the Orion, Jaguar 725m & M7100 Mobile Radios

## Using the 19B802554P7 Remote Extended Options Cable



- Hook-Up:**
- Microphone – P4 Pin# 11 (Mic Hi)
  - Headset Earphones – P4 Pin# 13 (Vol Hi)
  - Audio Low – P4 Pin# 12 (ALO or Audio Lo)
  - PTT – P4 Pin# 21 (Aux Input 1)
  - PTT Ground – P4 Pin# 01 (Sup Gnd)

- Notes:**
1. Use the P4 connector for all connections.
  2. **DO NOT USE THE SPEAKER OUTPUTS (P2, Pins 1 & 2) for headset RX Audio.** This is a 4 Ohm balanced output rated at 15 watts. Improper loading will destroy the radio's audio amplifier.
  3. You must program Aux Input 1 for PTT (Push-To-Talk) function.
  4. This hook-up can also be used for interfacing into AIRCRAFT radio audio systems. (EG: via an AA-34 box.)