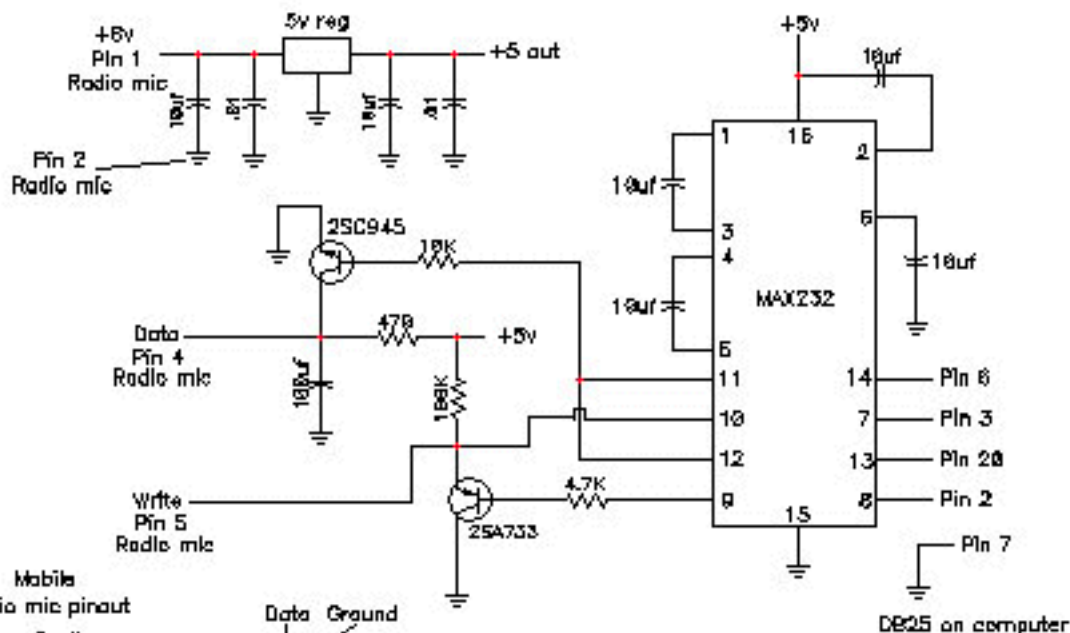
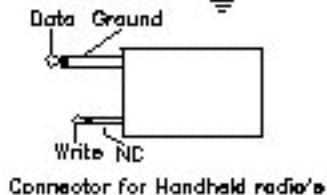


This is for Models SMS 815T & SMS 825TS



Mobile  
Radio mic pinout

- 1 - +5volts
- 2 - Ground
- 3 - PTT
- 4 - Data
- 5 - Write



DB25 on computer

Title		
Uniden Radio Programmer		
Size	Number	Rev
A	apclark@pcn.net	A
Date	1/22/99	Drawn by G3JNB
Filename	UnidenProg	Sheet 1 of 1