

# CONNECTIONS FOR THALES 25 HAND HELD RADIO

## Thales 25 Side Connector Pin Assignments

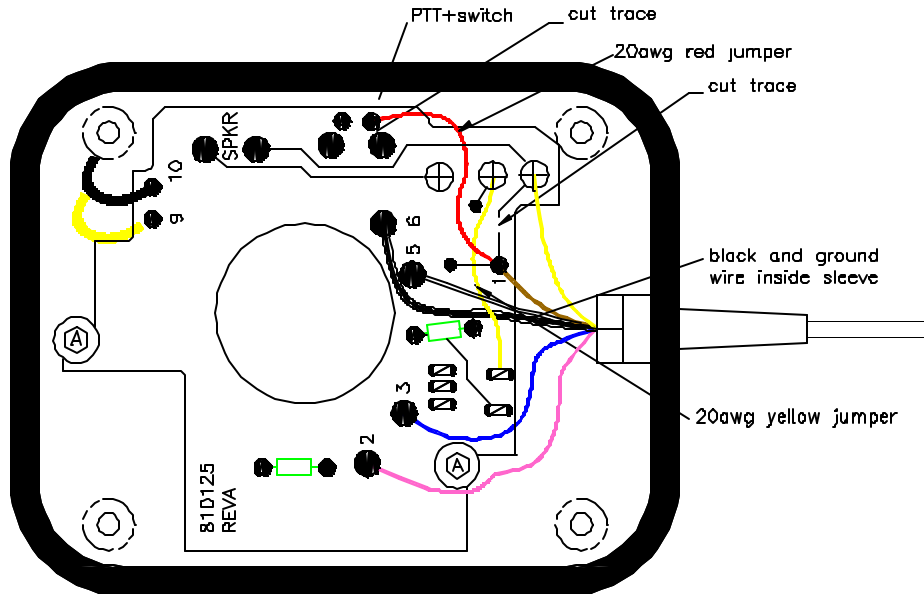
PIN	SIGNAL	FUNCTION	DESCRIPTION
1	EXTMIC or /WE	GENERAL or FILL	Microphone input or Key transfer Indicator input, asserted by voltage <0.8 VDC
2	EXTMICB or KEY	GENERAL or FILL	Microphone bias or Bi-directional Key Data, LVTTTL levels
3	GND	GENERAL	Ground Reference
4	WRU	GENERAL	Voltage input identifies external device
5	EXTSPKR+ or KEYLOAD	GENERAL or FILL	Balanced Audio Output, 500mW into 8 ohms or LVTTTL level LOW Output when Key Loader is connected
6	EXTPTT or KID	GENERAL or FILL	Push-to-talk input, asserted by closure to GND or Pseudo random Key Insert Data, LVTTTL level input
7	/RADOFF	GENERAL	Power switch override input. Ground forces off. 3 to 5 VDC forces On
8	EXTSPKR-	GENERAL	Balanced Audio Output, 500mW into 8 ohms
9	SQL	GENERAL	Squelch, LVTTTL Level HIGH output on valid receive signal
10	232CLK	Data Port	Synchronous clock output to PC Terminal (DCE), RS-232 level (> +3V=ZERO, <-3V=ONE)
11	232TXD	Data Port	Transmit data line input (DCE), RS-232 level (> +3V=ZERO, <-3V=ONE)
12	232 RXD	Data Port	Receive data line input (DCE), RS-232 level (> +3V=ZERO, <-3V=ONE)
13	232 RTS	Data Port	Data port control input (DCE), RS-232 level (> +3V=ZERO, <-3V=ONE)
14	232 DTR	Data Port	Data port control input (DCE), RS-232 level (> +3V=ZERO, <-3V=ONE)
15	232CTS	Data Port	Data port control output (DCE), RS-232 level (> +3V=ZERO, <-3V=ONE)
16	PCRXD	Programmer	Receive data line output (DCE), RS-232 level (> +3V=ZERO, <-3V=ONE)
17	PCTXD	Programmer	Transmit data line input (DCE), RS-232 level (> +3V=ZERO, <-3V=ONE)
18	EXTPWR	EXT DC Power I/O	Output current limited. Input voltage limited to Approximately 13.8 VDC.

## Thales 25 Audio Side Connector, part number 1100550-501, pin assignments for Hirose 6-pin connector

PIN	COLOR	SIGNAL
1	WHITE	EXT MIC
2	PINK	EXT MIC BIAS
3	BLACK	GND
4	BARE	WRU (connected to GND)
5	BLUE	EXT SPKR +
6	BROWN	EXT PTT

# Thales 25 Balanced Speaker Microphone, part number 1100548-501

## Wiring at the head



## Wiring of side connector end

